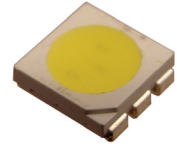


SMD LED

Type PLCC6



- top LED
- dimension: 5.0 x 5.0 x 1.5mm
- viewing angle: 120°
- application: display, moving sign, backlight panel
- the die's can be controlled serial (20mA) or parallel (60mA)
- suitable for all SMD assembly and solder process
- RoHS compliant



| Part Number | Colour | Peak Wavelength | Intensity (mcd) | | Angle (deg) | Voltage (V) | | Lens Colour |
|---------------|---------------|-----------------|-----------------|------|-------------|-------------|-----|-----------------|
| | | | min | typ | | min | typ | |
| SMD-BPLCC6-02 | blue | 475 nm | 355 | 520 | 120° | 3.0 | 3.2 | waterclear |
| SMD-GPLCC6-02 | green | 520 nm | 1715 | 2350 | 120° | 3.0 | 3.2 | waterclear |
| SMD-NPLCC6-02 | warm white | 3000-3500°K | 2900 | 4100 | 120° | 3.0 | 3.2 | yellow diffused |
| SMD-RPLCC6-02 | red | 621 nm | 355 | 500 | 120° | 1.8 | 2.0 | waterclear |
| SMD-SPLCC6-02 | natural white | 4000-5000°K | 5300 | 6600 | 120° | 2.8 | 3.4 | yellow diffused |
| SMD-WPLCC6-02 | white | 6000-7000°K | 2900 | 4100 | 120° | 3.0 | 3.2 | yellow diffused |
| SMD-YPLCC6-02 | yellow | 586 nm | 460 | 660 | 120° | 1.8 | 2.0 | waterclear |

Full Colour RGB

| | | | | | | | | |
|---------------|-------|--------|-----|-----|------|-----|-----|------------|
| SMD-FPLCC6-02 | red | 621 nm | 160 | 200 | | 1.6 | 1.9 | |
| | green | 520 nm | 600 | 780 | 120° | 3.0 | 3.2 | waterclear |
| | blue | 470 nm | 125 | 160 | | 3.0 | 3.2 | |

Electro-Optical-Characteristics Ta=25°C, Forward Current: IF Typical = 20mA (x 3),

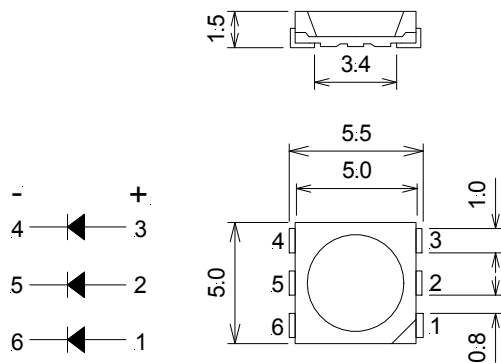
1/10 Duty Cycle, 0.1ms Pulse Width: up to 180mA, depending on colour

Storage Temp. -40 ~+85 (°C) Operating Temp. -40 ~+85 (°C)

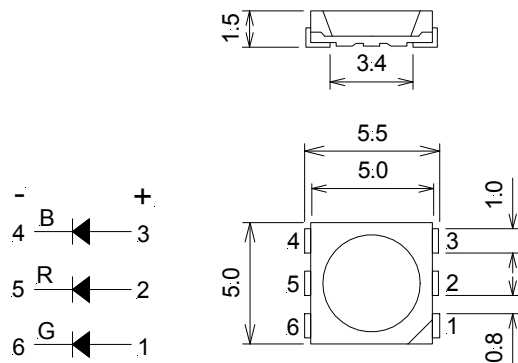
Packaging: 1000pcs./reel

Detailed data sheets are available on request

Single Colour



Full Colour RGB



1. All specifications according to information from our manufacturers, without additional guarantee on our part
2. All dimensions are in millimetres
3. Tolerance is ±0.25mm unless otherwise specified
4. Specifications are subject to change without notice