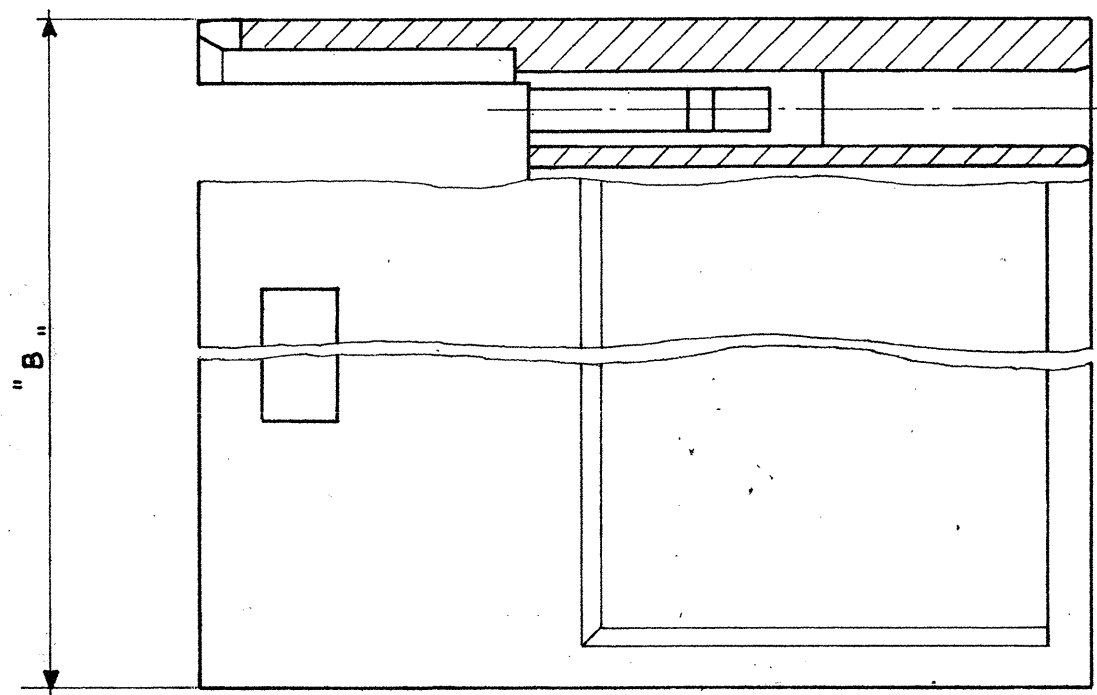
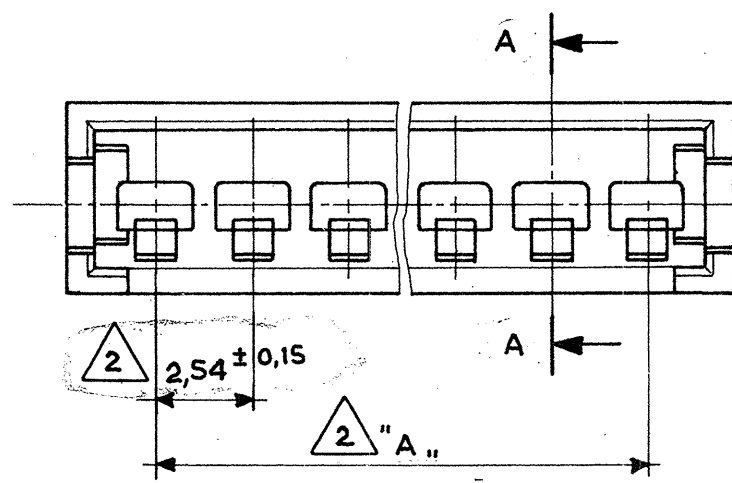
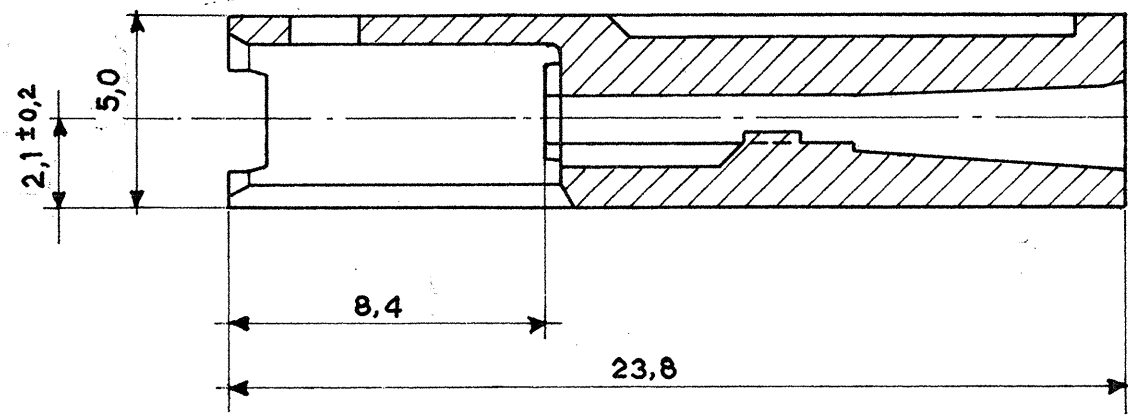


Sezione A-A  
(Section)



Note: (Notes)

- 1 Noryl (UL94-VI) Colore Nero (Black Colour).
- 2 Tolleranza non Cumulativa. (Non-Cumulative Tolerance.)
- 3 PA 6.6 15% g.f. masterizzato ROSSO (PA 6.6 15% g.f. masterized - RED)

N° Pos.	Part. Number	Dim. "A"	Dim. "B"	Mat.
4	284072-1	7,62	12,5	3
2	284071-1	2,54	7,4	
22	280636	53,34	58,2	1
15	280635	35,56	40,4	
12	280634	27,94	32,8	
10	280633	22,86	27,7	
9	280632	20,32	25,1	
8	280631	17,78	22,6	
6	280630	12,70	17,5	
4	280629	7,62	12,5	
2	280628	2,54	7,4	
N° Pos.	Part. Number	Dim. "A"	Dim. "B"	

FINITURA / COLORE (FINISH / COLOUR)	MATERIALE (MATERIAL)	NUMERO (PART NUMBER)
<b>CUSTOMER DWG.</b> FOR REFERENCE ONLY		<b>DISEGNO PER CLIENTE</b> SOLO PER RIFERIMENTO
THIS DRAWING IS UNPUBLISHED		RELEASE FOR PUBLICATION
© COPYRIGHT 19 BY AMP INCORPORATED, HARRISBURG, PA ALL INTERNATIONAL RIGHT RESERVED AMP PRODUCTS MAY BE COVERED BY U.S. AND FOREIGN PATENT AND/OR PATENT PENDING		
TOLLERANZE: SE NON DIVERSAMENTE SPECIFICATO (TOLERANCES UNLESS OTHERWISE SPECIFIED)	DIAM. ISOLANTE (INS. DIA. RANGE)	RANGO FILO (WIRE RANGE)
± 0,3		
ANGOLI (ANGLES) ± 2°	<b>AMP</b> AMP ITALIA S.p.A. Corso F.lli Cervi, 15 COLLEGNO (TORINO)	
DESCRIZIONE (DESCRIPTION): AMP MODU II Pin Housing, Single Row, Crimp Snap-In.		
REV. (REV.)	LOC. (LOC.)	NUMERO (DWG NO.)
1	IA3	280628
2		C - (Master Dwg.)
REV. (REV.)	REV. (REV.)	FOLIO (SHEET)
	H2	1 (OF 1)

H2	RELEASED FOR PRODUCTION	10.7	CONT. (CHK)
H1	APPLICAZIONE PINS 284071-1 (284072-1) 2810	29.9	APP. (APP.)
2	Revised note	29.9	
1	Revised and Redrawn	29.9	
REV. (REV.)	REVISIONI (REVISION RECORD)	DIS. (DR)	DATA (DATE)

DISTRIBUZIONE (PRINT DIST.)