

4

3

2

1

THIS DRAWING IS UNPUBLISHED.

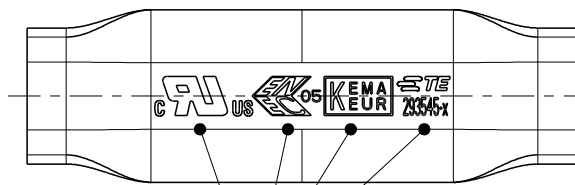
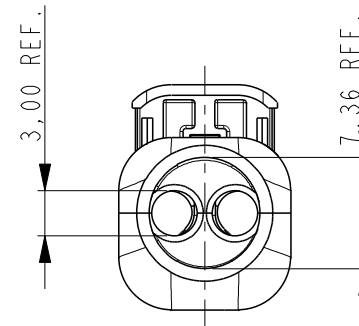
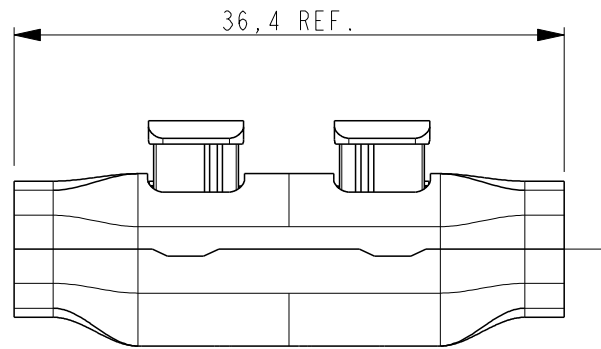
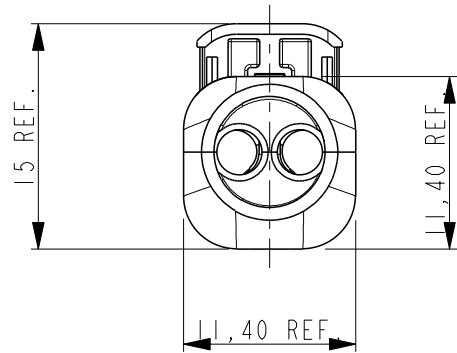
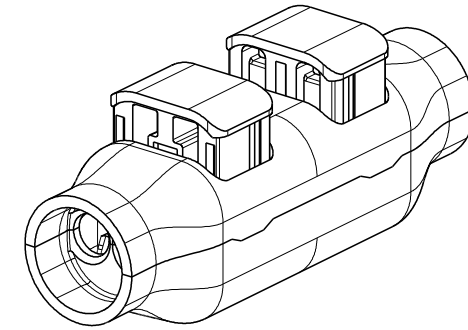
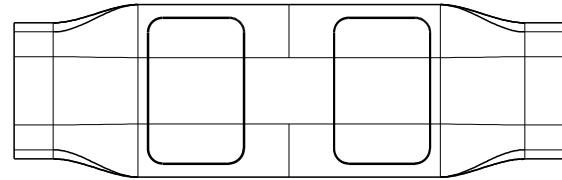
RELEASED FOR PUBLICATION

© COPYRIGHT - new logo 2011

ALL RIGHTS RESERVED.

LOC	DIST	REVISIONS					
		P	LTR	DESCRIPTION	DATE	DWN	APVD
H	-		E	CHANGES PER ECR-11-005299	14MAR2011	PP	JK
			F	CHANGES PER ECR-11-006548	21OCT2011	PP	JK
			G	CHANGES PER ECR-12-004118	02MAR2012	PP	JK

- NOTES:**
- 1 CONNECTOR ACCEPT MULTIPLE WIRES SIZES: SEE TABLE.
 - 2 HOUSING AND BUTTON MATERIAL : POLYCARBONATE
 - 3 IDC CONTACT MATERIAL: PhBR
 - 4 PRINTING LOGO'S: P/N 293545-1 and -2: UL, ENEC, KEMA, PARTNUMBER, TE.
 - 5 PRINTING LOGO'S: P/N 293545-3 and -4: UL, PARTNUMBER, TE.



SEE NOTE 4 & 5

HOUSING COLOR	PARTNUMBER	DESCRIPTION	CABLE SIZE
YELLOW TRANSPARENT	293545-4	5 SPlicing CONNECTOR SEALED	AWG 20 (0.52mm ²) / AWG 22 (0.33mm ²)
	293545-3	5 SPlicing CONNECTOR UNSEALED	AWG 20 (0.52mm ²) / AWG 22 (0.33mm ²)
NATURAL TRANSPARENT	293545-2	4 SPlicing CONNECTOR SEALED	AWG 18 (0.82mm ²) TO 1mm ²
	293545-1	4 SPlicing CONNECTOR UNSEALED	AWG 18 (0.82mm ²) TO 1mm ²

THIS DRAWING IS A CONTROLLED DOCUMENT.		DWN J.v.d.Krogt 04MAR2010			
DIMENSIONS: mm		CHK J.v.d.Krogt 04MAR2010			NAME SPLICING CONNECTOR
		APVD O.Leijnse 06MAR2010			PRODUCT SPEC 108-19419
TOLERANCES UNLESS OTHERWISE SPECIFIED:		APPLICATION SPEC 114-19136		RESTRICTED TO	
MATERIAL SEE NOTES		WEIGHT -		SIZE A3	
FINISH SEE NOTES		CUSTOMER DRAWING		CAGE CODE 00779	
		DRAWING NO C-293545		DRAWING NO	
		SCALE 2:1		SHEET 1 OF 1	
				REV G	