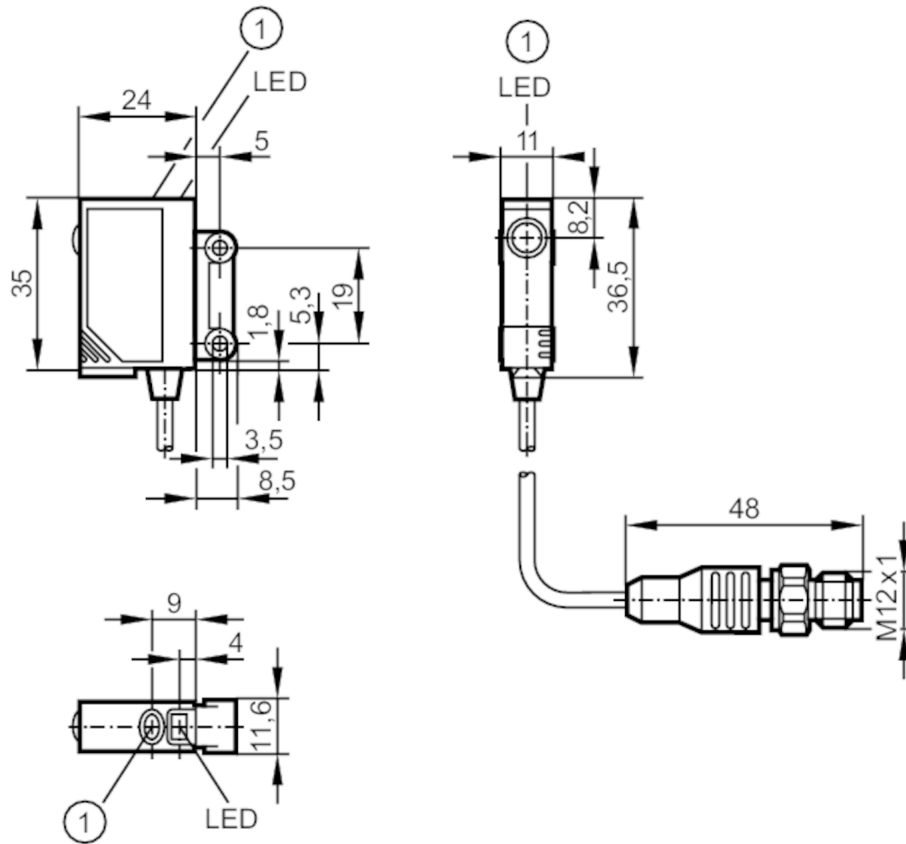




Retro-reflective sensor for the detection of transparent objects

OJPGFPKG/SO/0,15M/US



1 pushbutton



Product characteristics

Type of light	red light
Housing	rectangular
Dimensions [mm]	35 x 11 x 24

Application

Special feature	polarisation filter
Function principle	Retro-reflective sensor

Electrical data

Operating voltage [V]	10...30 DC
Current consumption [mA]	< 22
Protection class	III
Reverse polarity protection	yes
Type of light	red light
Wave length [nm]	660



Retro-reflective sensor for the detection of transparent objects

OJPGFPKG/SO/0,15M/US

Outputs		
Electrical design	PNP	
Output function	light-on/dark-on mode; (programmable)	
Max. voltage drop switching output DC [V]	2.5	
Permanent current rating of switching output DC [mA]	200	
Switching frequency DC [Hz]	2000	
Short-circuit protection	yes	
Type of short-circuit protection	pulsed	
Overload protection	yes	
Detection zone		
Range referred to prismatic reflector [m]	0.2...1.5; (Prismatic reflector 50 x 50 mm E20722)	
Range adjustable	yes	
Max. light spot diameter [mm]	64	
Light spot dimensions refer to	at maximum range	
Polarisation filter available	yes	
Operating conditions		
Ambient temperature [°C]	0...60	
Protection	IP 67	
Tests / approvals		
EMC	EN 60947-5-2	
MTTF [years]	854	
Mechanical data		
Weight [g]	48.7	
Housing	rectangular	
Dimensions [mm]	35 x 11 x 24	
Materials	housing: ABS; LED window: SEPS; pushbutton: SEPS	
Lens material	glass	
Lens alignment	side lens	
Displays / operating elements		
Display	switching status	1 x LED, yellow
	operation	1 x LED, green
	function	1 x LED, red
Accessories		
Accessories (supplied)	screws: 2 x	
	spring washers: 2 x	
	Nuts: 2 x	
Remarks		
Remarks	operating voltage "supply class 2" according to cULus	
Pack quantity	1 pcs.	

OJ5191



Retro-reflective sensor for the detection of transparent objects

OJPGFPKG/SO/0,15M/US

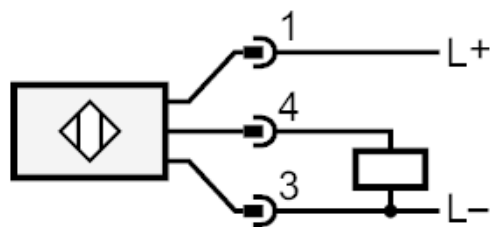
Electrical connection

Cable: 0.15 m, PVC

Connector: 1 x M12



Connection



OJ5191



Retro-reflective sensor for the detection of transparent objects

OJPGFPKG/SO/0,15M/US

Diagrams and graphs

excess gain graph

