

M12 male 0° / RJ45 male 0° shielded Ethernet

PUR 2x2xAWG22 shielded gn UL,CSA 40m

Ethernet CAT 5, D-coded
Male straight to male straight
M12 - RJ45
4-pole, shielded

Further cable lengths on request. Plastic housings with good resistance against chemicals and oils. The resistance to aggressive media should be individually tested for your application. Further details on request.

[Link to Product](#)

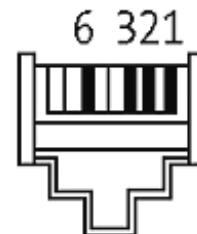
Illustration

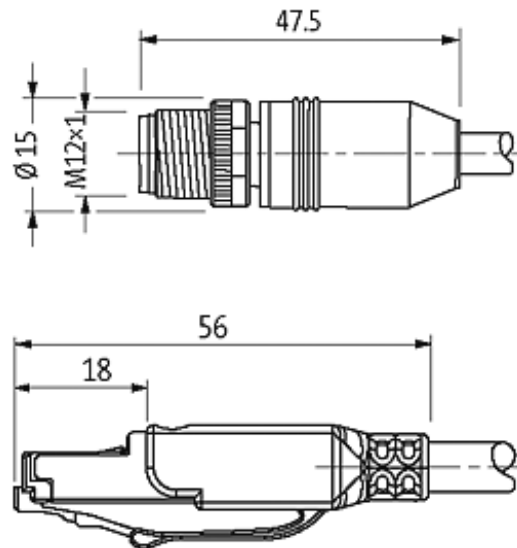


Male



Male





Product may differ from Image

Approvals



More Info



Form

44711

Technical Data

| | |
|-------------------------------|---|
| Operating voltage | 60 V DC |
| Operating current per contact | max. 1.76 A |
| Transfer parameters | CAT5, class D (ISO/IEC 11801:2002), (EN 50173-1) |
| Transfer rate | 10/100 Mbit/s full duplex |
| Locking of ports | Screw thread M12 × 1 mm (recommended torque 0.6 Nm) self-securing |
| Protection | IP67 (M12) - IP20 (RJ45) |

Cables

| | |
|-----------------------------|----------------------------|
| Cable number | 794 |
| No./diameter of wires | 2 × 2 × AWG22 |
| Wire isolation | PE (wh, ye, bl, or) |
| Jacket Color | green |
| Shore hardness outer jacket | 90 ± 5A |
| Material (jacket) | PUR (UL/CSA), halogen free |

The information in this brochure has been compiled with the utmost care.

Liability for the correctness completeness and topicality of the information is restricted to gross negligence. Version: 05/15

| | |
|----------------------------|----------------|
| Outer diameter | approx. 6.6 mm |
| Bend radius (fixed) | 8 × outer Ø |
| Bend radius (moving) | 12 × outer Ø |
| Temperature range (fixed) | -40...+80 °C |
| Temperature range (mobile) | -20...+60 °C |
| Shielded | yes |

Commercial data

| | |
|------------------------|----------|
| country of origin | DE |
| customs tariff number | 85444210 |
| minimum order quantity | 1 |