

Contents

<i>Description</i>	<i>Page</i>
Application data	7-1 - 7-2
CSA Type P and Type D fuses (CDS, CDN and PON)	7-3
Tron™ HRC Form II Class C fuses (CGL Form II Class C)	7-4
HRCI Industrial ceramic body fuses (CIF21 HRCI-CA and CIF06 HRCI-CB)	7-5
HRCI-J Fast-acting fuses (CJ HRCI-J)	7-6
HRCI-Miscellaneous Type K fuses (CIH, CIK and CIL HRCI-MISC)	7-7
HRC Form II current-limiting fuses	7-8
BS 88 British Standard low voltage fuses (SSD, NSD, ESD and STD, NITD, AAO, BAO, OSD, CEO, DEO BS 88 Part 1)	7-9
BS 88 British Standard low voltage fuses (AC, AD, BC, BD, CD, DD, ED, EFS and EF, FF, FG, GF, GG, GH BS 88)	7-10
DIN Style Type D (D16, D27, D33, D125 Type D)	7-11
Neozed low voltage fuses (NZ01, NZ02 Type D0)	7-11
NH HRC fuses	7-12 - 7-15
Class gG/gL IEC Industrial ferrule fuses (C08G, C08M, C10G, C10M, C14G, C14M, C22G, C22M)	7-16 - 7-17
Class aM IEC Industrial ferrule fuses (C08M, C10M, C14M, C22M)	7-18
Class aM and gG/gL IEC Industrial ferrule fuses with striker (C14G_S, C22G_S, C14M_S, C22M_S)	7-19
HRC fuse holders	
CAMaster	7-20
SAFEloc	7-20
Red Spot	7-20

Application data

The standard range of fuses for low voltage industrial and general purpose applications meet the requirements of BS 88 and IEC 60269. By using advanced fuse technology, current ratings up to 400A have compact dimensions, but retain standard dimensional and performance requirements. These designs are for 315/240V systems. The standard range of fuses are available from 2-1250A in the following tag forms: Offset Blade - Offset Bolted - Center Bolted.

Supplementary ranges cover applications up to 660Vac and 500Vdc including those with nonstandard tag fixings.

Bussmann series fuses are manufactured under quality systems independently assessed to BS 5750 (ISO 9002) and appropriate ratings carry the ASTA 20 endorsement.

Selecting fuses is relatively simple and effective. The following notes cover the majority of applications. For further information contact our Application Engineers toll free at: 855-287-7626 (855-BUSSMANN).

Circuit loading

The current rating of the fuse should not be less than the full load current of the circuit. The circuit should be so designed that small overloads of long duration will not be of frequent occurrence.

Cable ratings and protection

There is an increasing move away from 70°C PVC insulation to materials that are more environmentally friendly, for example 90°C XLPE. The ratings of fusegear, switches, accessories, etc. are generally based upon the equipment being connected to conductors intended to be operated at a temperature not exceeding 70°C in normal service.

In view of the above, it is recommended that the practice of designs based upon conductor temperatures of 70°C be regarded as the norm. The equipment manufacturer should be consulted to ascertain the reduction of nominal current rating of the equipment if conductor temperatures exceeding 70°C are used. In addition, an overriding factor is often voltage drop.

Fuses with gG characteristics protect associated cables against both overload and short-circuit current, provided that the current rating of the fuse 1_N is equal or less than the current carrying capacity of the cable 1_Z .

In motor circuits, the motor starter will provide the overload protection and the fuses will provide the short-circuit protection. The maximum fuse size that can be used depends upon the type of cable used and is determined using the appropriate K factor. The following table gives the maximum sizes of fuses that are recommended for two popular cables with copper conductors, 70°C PVC (K = 115) and 90°C thermosetting (K = 143).

Cable size (mm ²)	Max. fuse rating (amps)	
	K = 115	K = 143
1	16	16
1.5	20	25*
2.5	32*	32*
4	50*	50*
6	63*	63*
10	100*	125*
16	125*	160*
25	200*	250*
35	315*	355*
50	400*	500
70	560	630
95	710	800
120	800	1000

* Extended Motor Circuit dual ratings can be used.

Protection against electrical shock

For a TN System, a disconnecting time not exceeding 5s is permitted for a distribution circuit. The maximum values of earth fault loop impedance (Zs) of 240V for Bussmann series gG fuses to BS 88: Parts 2 and 6 are:

Rating (A)	Zs (Ohms)	Rating (A)	Zs (Ohms)	Rating (A)	Zs (Ohms)
6	14	50	1.1	250	0.16
10	7.7	63	0.86	315	0.13
16	4.3	80	0.60	400	0.096
20	3.0	100	0.44	500	0.073
25	2.4	125	0.35	630	0.054
32	1.9	160	0.27	800	0.044
40	1.4	200	0.20		

Ambient temperature

The derating, in terms of current, of 0.5% per °C above an ambient of 35°C is recommended.

Interrupting rating

The standardized interrupting rating values are 80kA for voltages of 415Vac and above, and 40kA for DC applications. The 240Vac designs have an interrupting rating of 50kA.

Coordination ratio

All fuses to BS 88 Parts 2 and 6 will give a coordination ratio of 2:1; and for most practical situations a ratio of 1.6:1 (two steps in the R10 series). Example: an upstream fuse rated at 160A will coordinate with a downstream fuse rated at 100A.

Current and energy limitation

The range of fuses have pre-arcing I²t values towards the bottom limits of BS 88 Parts 2 and 6. This ensures excellent current and energy limitation. They also have lower power losses at rated current. This assists in the appropriate interchangeability with other makes of fuses.

Transformers

When fuses are used on the primary side of transformers, the normal fuse current rating should be at least twice the nominal transformer primary current.

Fluorescent lighting

The normal fuse current rating should be at least twice the normal full load current of the maximum number of lights to be simultaneously switched.

Capacitor circuits

For power factor correction in capacitor circuits, the fuse should be chosen with a current rating greater than 1.5 times the rated capacitor current. This takes into account the high inrush current, circuit harmonics and capacitor tolerances.

Motor circuits

In motor circuits, the fuse has to withstand the motor's starting current and often requires a higher rating than the motor's full load current. Coordination recommendations are made by the manufacturers of motor starters in accordance with IEC 60947-4-1. To get Type 2 coordination with fuses, tests are performed with the latest gG or gM fuses to BS 88 or IEC 60269 that have pre-arcing I²t values towards the bottom of specified limits. This means that Bussmann series fuses are suitable to provide Type 2 coordination.

Extended dual ratings of motor circuit protection fuses with gM characteristics are available in most popular fuse sizes to extend the use of associated equipment with appropriate economies. In the majority of applications, gG fuses are used. It is not essential to use gM fuses for motor circuit protection, they simply extend the utilization of standard equipment.

Below is a table of recommended fuses at 415V. In most applications, the run-up time is less than 5 seconds and duty is infrequent - no more than twice per hour. The next larger rating should be used for more demanding applications.

Rating motor	A	Direct on-line		Asst. start standard (gG)
		Standard (gG)	Motor circuit (gM)	
kW	A	A	A	A
0.25	0.8	4	-	2
0.37	1.1	4	-	2
0.55	1.5	6	-	4
0.75	2.0	6	-	4
1.1	3.0	10	-	6
1.5	3.6	16	-	0 1
2.2	5.0	16	-	0 1
3.0	6.5	20	-	6 1
4.0	8.4	20	-	6 1
5.5	11.0	25	20M25	2 20
7.5	15.0	40	32M40	25
11.0	20.0	50	32M50	32
15.0	27.0	63	32M63	40
18.5	33.0	80	63M80	50
22.0	38.0	80	63M80	50
30.0	54.0	100	63M100	80
37.0	66.0	125	100M125	80
45.0	79.0	160	100M160	100
55.0	98.0	160	100M160	100
75.0	135.0	250	200M250	160
90.0	155.0	250	200M250	160
110.0	185.0	315	200M315	200
132.0	220.0	355	315M400	250
150.0	250.0	355	315M400	315
185.0	310.0	450	400M500	355
200.0	335.0	500	400M500	400
225.0	375.0	560	-	400
250.0	415.0	560	-	450
280.0	460.0	630	-	500
335.0	562.0	710	-	630
355.0	596.0	800	-	710

CDS, CDN and PON Type P and D

Specifications

Description: CSA time-delay Type D and P fuses.

Dimensions: See catalog numbers table and dimensions illustration.

Ratings:

Volts: — 250Vac (CDN and PON)
— 600Vac (CDS)

Amps: — 10-600A
IR: — 10kA minimum

Agency information: CE, CSA Certified to C22.2 No. 59.1.

Features and benefits

- Economical fuse in a variety of ratings for applications not requiring time-delay.

Typical applications

- Lighting, heating and other circuits not subject to temporary surges and where available short-circuit current are relatively low.

Basic catalog numbers

Time-Delay CSA Type “D” fuses

Catalog numbers	Volts	Amp ratings
CDN*	250Vac	10, 12, 15, 20, 25, 30, 35, 40, 45, 50, 60, 70, 80, 90, 100, 110, 125, 150, 175, 200, 225, 250, 300, 350, 400, 450, 500, 600
		10, 12, 15, 20, 25, 30, 35, 40, 45, 50, 60, 70, 80, 90, 100, 110, 125, 150, 175, 200, 225, 250, 300, 350, 400, 450, 500, 600
CDS**	600Vac	10, 12, 15, 20, 25, 30, 35, 40, 45, 50, 60, 70, 80, 90, 100, 110, 125, 150, 175, 200, 225, 250, 300, 350, 400, 450, 500, 600
		10, 12, 15, 20, 25, 30, 35, 40, 45, 50, 60, 70, 80, 90, 100, 110, 125, 150, 175, 200, 225, 250, 300, 350, 400, 450, 500, 600

* Below 10 amps, use FRN-R.

** Below 10 amps, use FRS-R.

One-time CSA Type “P” fuses

Catalog number	Volts	Amp ratings
PON	250Vac	15, 20, 25, 30, 35, 40, 45, 50, 60

To Order

To order, specify basic catalog number and amp rating.

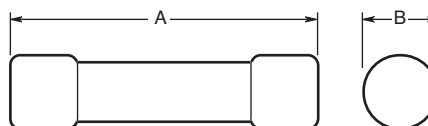
Example: CDN-30, CDS-110 or PON-40.

Dimensions - in (mm)

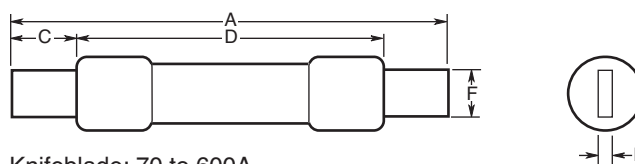
Catalog symbol and volts	Amp rating	A Overall	B Max Diameter	C Min Blade length	D Min Barrel length	E Blade thickness	F Blade width
CDN/PON 250Vac	1-30	2.0 (50.8)	0.56 (14.3)	—	—	—	—
	35-60	3.0 (76.2)	0.81 (20.6)	—	—	—	—
	70-100	5.88 (149.4)	—	1.0 (25.4)	—	0.13 (3.2)	0.75 (19.1)
	110-200	7.3 (185.4)	—	1.38 (34.9)	4.13 (104.8)	0.19 (4.8)	1.13 (28.6)
	225-400	8.63 (219.2)	—	1.88 (47.6)	4.63 (117.5)	0.25 (6.4)	1.63 (41.3)
CDS 600Vac	450-600	10.38 (263.7)	—	2.25 (57.2)	5.19 (131.8)	0.25 (6.4)	2 (50.8)
	1-30	5.0 (127.0)	0.81 (20.6)	—	—	—	—
	35-60	5.5 (139.7)	1.06 (27.0)	—	—	—	—
	70-100	7.88 (200.2)	—	1.0 (25.4)	—	0.13 (3.2)	0.75 (19.1)
	110-200	9.63 (244.6)	—	1.38 (34.9)	6.13 (115.6)	0.19 (4.8)	1.13 (28.6)
	225-400	11.63 (295.4)	—	1.88 (47.6)	7.13 (118.1)	0.25 (6.4)	1.63 (41.3)
	450-600	13.38 (339.9)	—	2.25 (57.2)	8.19 (208.0)	0.25 (6.4)	2 (50.8)



Dimensions



Ferrule: 1 to 60A



Knifeblade: 70 to 600A

Recommended fuse blocks

Fuse	1-pole		2-pole		3-pole	
	250V	600V	250V	600V	250V	600V
1-30A	HM25030-1	HM60030-1	HM25030-2	HM60030-2	HM25030-3	HM60030-3
35-60A	HM25060-1	HM60060-1	HM25060-2	HM60060-2	HM25060-3	HM60060-3
70-100	HM25100-1	HM60100-1	HM25100-2	HM60100-2	HM25100-3	HM60100-3
110-200	HM25200-1	HM60200-1	HM25200-2	HM60200-2	HM25200-3	HM60200-3
225-400	HM25400-1	HM60400-1	HM25400-2	HM60400-2	HM25400-3	HM60400-3
450-600	HM25600-1	HM60600-1	HM25600-2	HM60600-2	HM25600-3	HM60600-3

See data sheets 100289 (30-60A) and 3192 (70-600A) for terminal options.

IEC and British Standard fuses

CGL Form II Class C

Specifications

Description: Current-limiting HRCII-C fuses designed to withstand inrush currents on typical motor start-ups while offering high current limitation in the short-circuit region.

Dimensions: See dimensions illustrations.

Ratings:

Volts: — 600Vac
250Vdc (1-30A)

Amps: — 1-600A

IR: — 200kA
40kA DC

Agency information: CE, CSA Certified, C22.2 No. 106, Class 1422, File 53787.

Features and benefits

- Close sizing to loads allows using smaller and less costly switches
- Provides a higher degree of short-circuit protection
- Helps protect motors against burnout from overloads

Typical applications

- For use in circuits subject to surge currents such as those caused by motors, transformers and other inductive loads

Catalog numbers (-amps)

CGL-1	CGL-40	CGL-175
CGL-2	CGL-45	CGL-200
CGL-3	CGL-50	CGL-225
CGL-4	CGL-60	CGL-250
CGL-6	CGL-70	CGL-300
CGL-10	CGL-80	CGL-350
CGL-15	CGL-90	CGL-400
CGL-20	CGL-100	CGL-450
CGL-25	CGL-110	CGL-500
CGL-30	CGL-125	CGL-600
CGL-35	CGL-150	

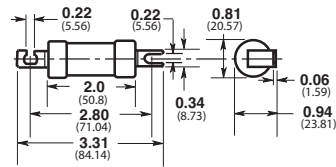
Available Red Spot fuse holders

Fuse amps	Catalog symbol
1-32	RS32
35-60	RS63
70-100	RS100
110-200	RS200
225-400	RS400

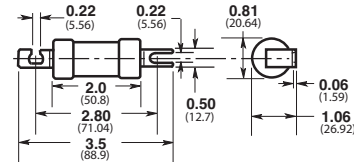
See Red Spot data sheet No. 10083 for details.



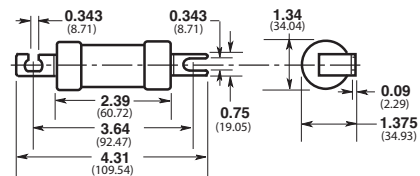
Dimensions - in (mm)



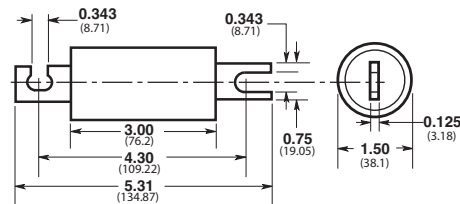
CGL 1-30



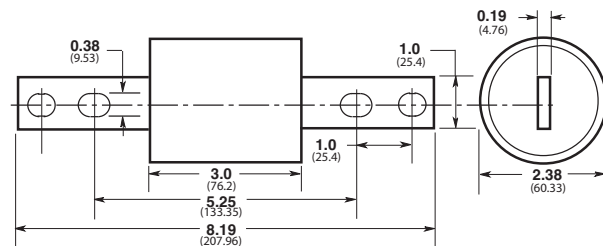
CGL 35-60



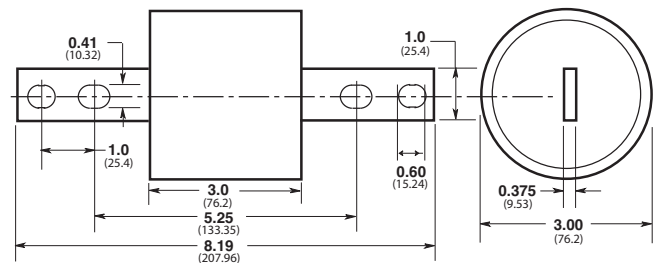
CGL 70-100



CGL 110-200



CGL 225-400



CGL 450-600

CIF21 HRCI-CA**Specifications**

Description: The HRCI-CA fuse provides both overload and short-circuit protection to HRCI requirements. Offset blades for bolt-on mounting. CIF21 fuse fits the Bussmann series Rep Spot fuse holder (data sheet 10083) and CAMaster fuse holder (data sheet 4132).

Dimensions: See dimensions illustration.

Construction: Ceramic body.

Ratings:

Volts: — 600Vac
250Vdc

Amps: — 1-30A

IR: — 200kA RMS Sym.

Agency information: CE, CSA C22.2, No. 106-M92.

Mounting: Bolt-on.

Catalog numbers

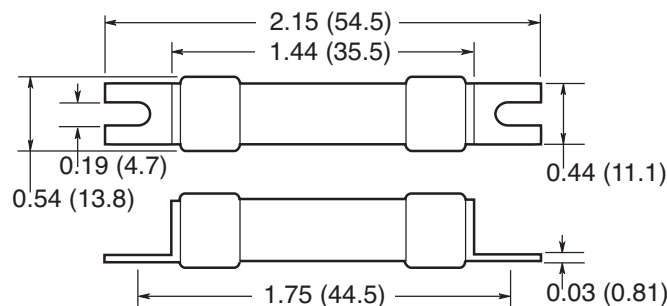
Catalog number	Amp rating
1CIF21	1
3CIF21	3
6CIF21	6
10CIF21	10
15CIF21	15
20CIF21	20
25CIF21	25
30CIF21	30

Features and benefits

- Close sizing to loads allows using smaller and less costly switches
- Provides a higher degree of short-circuit protection
- Helps protect motors against burnout from overloads

Typical applications

- For use in circuits subject to surge currents such as those caused by motors, transformers and other inductive loads

Dimensions - in (mm)**Recommended fuse holders**

Red Spot P/N RS20_(1-20A)

CAMaster P/N CM20CF (1-30A)

Data Sheet: 4127

CIF06 HRCI-CB**Specifications**

Description: A miniature industrial fuse that provides both short-circuit and overload protection and the CIF06 fits the 30A SAFEloc fuse holder (data sheet 4133).

Dimensions: See dimensions illustration.

Construction: Ground ceramic body with plated end caps.

Ratings:

Volts: — 600Vac
250Vdc

Amps: — 1-30A

IR: — 200kA RMS Sym.

Agency information: CE, CSA C22.2 No. 106-M92 (3-30A only).

Mounting: Clip-in offset blades.

Catalog numbers

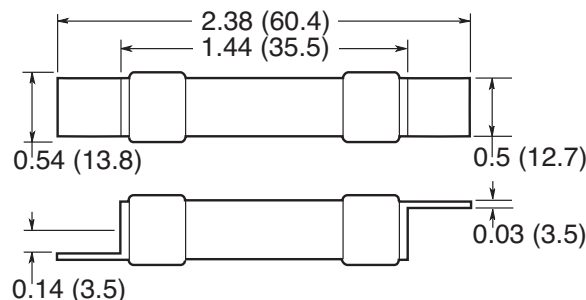
Catalog number	Amp rating
1CIF06	1
3CIF06	3
6CIF06	6
10CIF06	10
15CIF06	15
20CIF06	20
25CIF06	25
30CIF06	30

Features and benefits

- Close sizing to loads allows using smaller and less costly switches
- Provides a higher degree of short-circuit protection
- Helps protect motors against burnout from overloads

Typical applications

- For use in circuits subject to surge currents such as those caused by motors, transformers and other inductive loads

Dimensions - in (mm)**Recommended fuse holders**

SAFEloc P/N C30_

Data Sheet: 4128

CJ HRCI-J

Specifications

Description: HRCI-J fast-acting fuses are industrial duty fuses with the excellent current-limiting characteristics of fast-acting HRCI-J fuses to limit damage to equipment and installations by the thermal and magnetic energy associated with a large short-circuit fault current. Overload characteristics limit cable damage due to low overload currents.

Dimensions: See catalog numbers table and dimensions illustrations.

Construction: Ceramic body fuse.

Ratings:

Volts: — 600Vac (or less)
250Vdc

Amps: — 1-600A

IR: — 200kA

Agency information: CSA C22.2 No. 106 M92; designed to BS 88:2, IEC 60269-2.

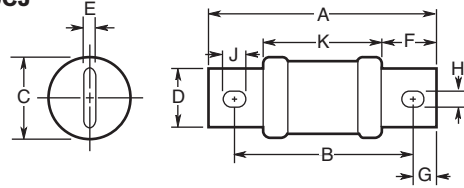


Dimensions

1CJ to 60CJ



70CJ to 600CJ



Catalog numbers

Catalog number	Amp rating	Dimensions - in (mm)									
		A	B	C	D	E	F	G	H	J	K
1CJ	1										
3CJ	3										
6CJ	6										
10CJ	10										
15CJ	15	2.25 (57)	0.5 (12.7)	0.81 (20.6)	—	—	—	—	—	—	—
20CJ	20										
25CJ	25										
30CJ	30										
35CJ	35										
40CJ	40										
45CJ	45	2.38 (60)	0.63 (16)	1.06 (27)	—	—	—	—	—	—	—
50CJ	50										
60CJ	60										
70CJ	70										
80CJ	80	4.63 (117)	3.63 (92)	1.13 (28)	0.75 (19)	0.13 (3.2)	1 (25.4)	0.5 (12.7)	0.28 (7.1)	0.38 (9.5)	2.63 (67)
90CJ	90										
100CJ	100										
110CJ	110										
125CJ	125										
150CJ	150	5.75 (146)	4.38 (111)	1.63 (41)	1.13 (28.6)	0.19 (4.8)	1.38 (35)	0.69 (17.5)	0.28 (7.1)	0.38 (9.5)	3 (76)
175CJ	175										
200CJ	200										
225CJ	225										
250CJ	250										
300CJ	300	7.13 (181)	5.25 (133)	2.13 (54)	1.63 (41)	0.25 (6.3)	1.88 (47.6)	0.94 (24)	0.41 (10.3)	0.53 (13.5)	3.38 (86)
350CJ	350										
400CJ	400										
450CJ	450										
500CJ	500	8 (203)	6 (152)	2.63 (66)	2 (51)	0.38 (9.5)	2.13 (54)	1 (25.4)	0.53 (13.5)	0.69 (17.5)	3.75 (96)
600CJ	600										

CIH, CIK and CIL HRCI-MISC**Specifications**

Description: HRCI fuses provide both overload and short-circuit protection, featuring offset blades for bolt down mounting.

Dimensions: See catalog numbers table and Dimensions illustration.

Construction: Ceramic body.

Ratings:

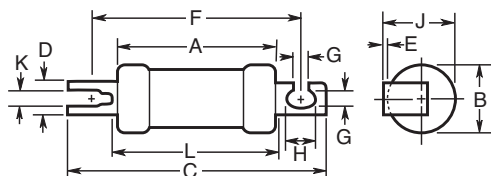
Volts: — 600V

Amps: — 1-100A

IR: — 200kA@600V

Agency information: CE, CSA C22.2

No. 106 M92.

**Dimensions**

(The CIL14 has a rejection hole, not a slot as shown above.)

Catalog numbers

Catalog numbers	Amp ratings	Dimensions - in (mm)										
		A Max	B Max	C Max	D Nom	E Nom	F Nom	G Nom	H Nom	J Max	K Nom	L Max
1CIH07	1	2.25 (57)	0.94 (24)	3.38 (86)	0.38 (9.2)	0.04 (1.0)	2.88 (73)	0.21 (5.2)	0.31 (8)	1 (25.4)	0.10 (2.6)	2.38 (60)
3CIH07	3											
6CIH07	6											
10CIH07	10											
15CIH07	15											
20CIH07	20											
25CIH07	25	2.28 (58)	1.06 (27)	3.56 (91)	0.5 (12.7)	0.05 (1.2)	2.88 (73)	0.21 (5.2)	0.41 (10.5)	1.09 (28)	0.13 (3.2)	2.38 (61)
30CIH07	30											
35CIK07	35											
40CIK07	40	2.75 (70)	1.44 (37)	4.38 (111)	0.75 (19)	0.09 (2.5)	3.69 (94)	0.34 (8.7)	0.41 (10.5)	1.5 (38.5)	—	2.91 (74)
50CIK07	50											
60CIK07	60											
80CIL14	80											
90CIL14	90											
100CIL14	100											

Recommended fuse holders

Fuse	Red Spot holder	CAMaster holder
1-30A	RS32	CM30CF
35-60A	RS63	CM60CF
80-100	RS100	—

See data sheets 10083 (Red Spot) and 4132 (CAMaster).

Data Sheet: 4130

HRC Form II

Specifications

Description: HRC Form II current-limiting fuses.

Dimensions: See catalog numbers table and dimensions illustrations.

Construction: Ceramic body.

Ratings:

Volts: — 600Vac (or less)
— 250Vdc

Amps: — 2-600A

IR: — 200kA RMS Sym.

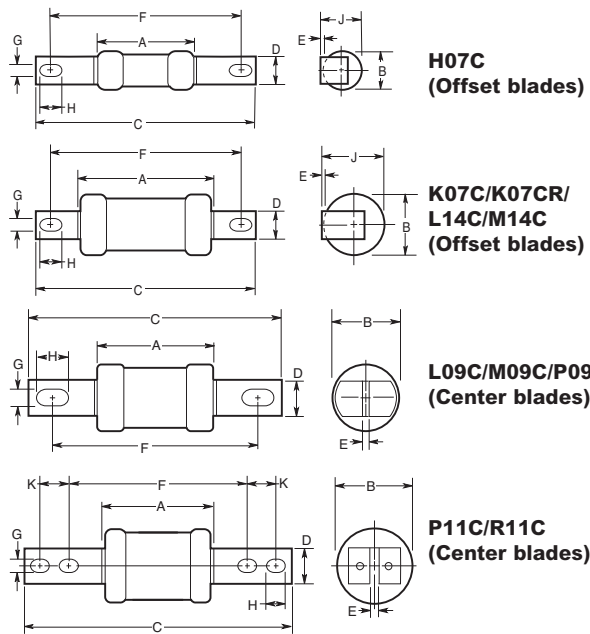
Agency information: CE, CSA C22.2 No.106_M92;
BS 88:2, IEC 60269:2.

Typical applications

- Used to protect motor control circuits, together with contactors and overload protection relays to provide Type 2 coordination - per IEC 60947-4.



Dimensions



H07C
(Offset blades)

**K07C/K07CR/
L14C/M14C**
(Offset blades)

L09C/M09C/P09C
(Center blades)

P11C/R11C
(Center blades)

Catalog numbers

Catalog number	Amp rating	Dimensions - in (mm)										CSA category									
		A	B	C	D	E	F	G	H	J	K										
2H07C	2	1.38 (35)	0.56 (14)	3.38 (85)	0.38 (9)	0.06 (1.2)	2.88 (73)	0.22 (5.6)	0.31 (8)	0.56 (14)	—	HRCII-C									
4H07C	4																				
6H07C	6																				
10H07C	10																				
15H07C	15																				
20H07C	20																				
25H07C	25																				
30H07C	30																				
40K07C	40																				
50K07C	50												2.19 (56)	0.88 (22)	3.44 (87)	0.5 (13)	0.13 (3.2)	3.69 (94)	0.34 (8.7)	1 (25.4)	—
60K07C	60	4.38 (111)																			
80K07CR	80		3.75 (95)																		
100K07CR	100	2.38 (60)	0.88 (21.4)	5 (127)	0.56 (14.3)	0.09 (2.4)	4.38 (111)	0.44 (11)	—	—	HRCII-MISC										
80L14C	80																				
100L14C	100																				
125M14C*	125																				
150M14C*	150											2.56 (65)	1.5 (38)	4.38 (111)	0.75 (19)	0.13 (3.2)	4.38 (111)	0.56 (14)	—	—	HRCII-C
200M14C*	200																				
80L09C*	80											2.38 (60)	0.88 (21.4)	5 (127)	0.56 (14)	0.19 (4.8)	4.38 (111)	0.44 (11)	—	—	HRCII-MISC
100L09C*	100																				
125M09C	125																				
150M09C	150																				
200M09C	200																				
250P09C*	250																				
300P09C*	300																				
350P09C*	350																				
400P09C*	400																				
250P11C	250	3.06 (178)	2.31 (59)	5.38 (136)	0.75 (19)	0.19 (4.8)	4.38 (111)	0.56 (14)	—	—	HRCII-C										
300P11C	300																				
350P11C	350																				
400P11C	400																				
450R11C	450																				
500R11C	500																				
600R11C	600	3.19 (81)	2.88 (73)	8.25 (210)	0.25 (6.3)	0.19 (5)	5.25 (133)	0.41 (10)	0.63 (16)	—	1 (25)	HRCII-C									
600R11C	600																				

* Not suitable for installation in Red Spot fuse holders.

Recommended fuse holders: Red Spot up to 400A (data sheet 10083) and CAMaster up to 100A (data sheet 4132).

SSD, NSD, ESD BS 88 Part 1**Specifications**

Description: The NSD and ESD are low voltage fuses complying with general purpose gG characteristics.

Construction: Ceramic body.

Ratings:

Volts: — 240-550Vac (see catalog numbers table)

Amps: — 2-63A (see catalog numbers table)
— 20M25-63M100A motor starter ratings
(see catalog numbers table)

IR: — 33kA (SSD)
— 80kA (NSD, ESD)

Agency information: CE, meets the requirements of BS 88 Part 1 and IEC 60269-1.

Mounting: Offset blades.

**Basic catalog numbers**

Basic catalog numbers	Amp ratings	Max AC voltage ratings	BS 88 ref.
SSD	2, 4, 6, 10, 16, 20, 25, 32	240	E1
	2, 4, 6, 10, 16, 20, 25, 32,	550	F1
NSD	20M25*, 20M32*, 20M36*, 32M36*, 32M40*, 32M50*, 32M63*	415	F1
ESD	2, 4, 6, 10, 16, 20, 25, 32, 40, 50, 63, 63M80, 63M100*	550	F2
		415	F2

*"M" indicates motor starter ratings.

To order

To order, specify basic catalog number and amp rating. Example: SSD-20

Recommended fuse holders

Basic fuse catalog number	Holder catalog numbers
NSD	32NNSF
ESD	63ENSF

STD, NITD, AAO, BAO, OSD, CEO, DEO BS 88 Part 1**Specifications**

Description: The STD to DEO types are low voltage fuses complying with general purpose gG characteristics.

Construction: Ceramic body.

Ratings:

Volts: — 240-550Vac (see catalog numbers table)

Amps: — 2-200A (see catalog numbers table)
— 20M25-200M315A motor starter ratings
(see catalog numbers table)

IR: — 33kA (STD)
— 80kA (NITD, AAO, BAO, CEO, DEO, OSD)

Agency information: CE, meets the requirements of BS 88 Part 1 and IEC 60269-1.

Mounting: Offset bolted blades.

**Typical applications**

- The STD type are used in 240V street lighting cut-outs
- NITD to DEO types used for industrial and general purpose applications

Basic catalog numbers

Basic catalog numbers	Amp ratings	Max AC voltage ratings	BS 88 ref.
STD	2, 4, 6, 10, 16, 20, 25, 32	240	—
	2, 4, 6, 10, 16, 20, 25, 32	550	—
NITD	20M25*, 20M32*, 32M40*, 32M50*, 32M63*	415	—
AAO	2, 4, 6, 10, 16, 20, 25, 32, 32M40*, 32M50*, 32M63*	550	—
		500	—
BAO	40, 50, 63, 63M80*, 63M100*	500	A3
CEO	32, 40, 50, 63, 80, 100, 100M125*, 100M160*, 100M200*	550	A4
		415	—
DEO	125, 160, 200, 200M315*	415	—
OSD	80, 100, 100M125*, 100M160*	500	—
		415	—

*"M" indicates motor starter ratings.

To order

To order, specify basic catalog number and amp rating. Example: BAO-16

Recommended fuse blocks and holders

Basic fuse catalog numbers	Block/holder catalog numbers
NITD	CM32FC, RS20
AAO	CM32F, RS32
BAO	CM63F, RS63
OSD	CM100F, RS100
CEO	BH-0111

AC, AD, BC, BD, CD, DD, ED, EFS BS 88**Specifications**

Description: Low voltage fuses that comply with general purpose gG characteristics and available up to 400A with two hole mount and up to 1250A with four hole mount.

Construction: Ceramic body.

Ratings:

Volts: — 415/550Vac, 250Vdc (see catalog numbers table)

Amps: — 2-400A (see catalog numbers table)
— 63M80-400M500A motor starter ratings (see catalog numbers table)

IR: — See catalog numbers table

Agency information: CE, meets the requirements of BS 88 Parts 1 and 2 and IEC 60269-1.

Mounting: Center bolted blades, two-hole mount.

Basic catalog numbers

Basic catalog numbers	Amp ratings	Interrupting ratings (kA)		Max voltage ratings		BS 88 ref.
		AC	DC	AC	DC	
AC	2, 4, 6, 10, 16, 20	80	40	550	250	—
	25, 32	80	—	500	—	
AD	2, 4, 6, 10, 16, 20	80	40	550	250	—
	25, 32	80	—	500	—	
BC	40, 50, 63	8	40	500	250	—
	63M80*, 63M100*	80	—	500	—	
BD	40, 50, 63	80	40	500	250	—
	80, 100,	80	—	500	—	
CD	100M125*, 100M160*, 100M200*, 100M200*	80	—	415	—	B1
DD	125, 160, 200, 200M250*, 200M315*	80	—	415	—	B2
ED	250, 315, 355, 400, 315M400*, 400M500*	80	—	415	—	B4
EFS	125, 160, 200, 250, 315	80	—	415	—	—

**M* indicates motor starter ratings.

To order

To order, specify basic catalog number and amp rating. Example: BC-40

Recommended fuse blocks and holder

Basic fuse catalog numbers	Block/holder catalog numbers
AC	BH-0111 Modular fuse block
AD	BH-_____ Modular fuse block
BC	BH-0111 Modular fuse block
BD	BH-_____ Modular fuse block
CD	BH-_____ Modular fuse block
DD	BH-_____ Modular fuse block
ED	BH-1131 Modular fuse block

Data Sheets 4110 (AC), 4111 (AD), 4113 (BC), 4114 (BD), 4116 (CD), 4118 (DD), 4119 (ED) and 4121 (EFS)

EF, FF, FG, GF, GG, GH BS 88**Specifications**

Description: Low voltage fuses complying with general purpose gG characteristics and available up to 400A with two hole mount and up to 1250A with four hole mount.

Construction: Ceramic body.

Ratings:

Volts: — 415/690Vac, 250/400Vdc (see catalog numbers table for details)

Amps: — 355-1250

IR: — see catalog numbers table

Agency information: CE, meets the requirements of BS 88 Parts 1 and 2 and IEC269-1.

Mounting: Center bolted blades, four-hole mount.

Basic catalog numbers

Basic catalog numbers	Amp ratings	Interrupting ratings (kA)		Max voltage ratings		BS 88 ref.
		AC	DC	AC	DC	
EF	355, 400	80	—	415	—	C1
	400M500*	80	—	550	—	
FF	450, 500, 560, 630	80	40	690	400	C2
FG	450, 500, 560, 630	80	40	550	400	—
GF	710, 800	80	40	550	250	C3
GG	710, 800, 1000, 1250	80	—	550	—	—
GH	710, 800, 1000, 1250	80	—	550	—	—

M* indicates motor starter ratings.M* indicates motor starter ratings.

To order

To order, specify basic catalog number and amp rating. Example: FG-450

Data Sheets 4120 (EF), 4102 (FF), 4122 (FG), 4103 (GF), 4104 (GG) and 4108 (GH)

D16, D27, D33, D125 Type D

Specifications

Description: DIN style Type D low voltage fuses.

Dimensions: See catalog numbers table and dimensions illustrations.

Construction: Ceramic body.

Ratings:

Volts: — 500Vac

Amps: — 2-100A

IR: — 50kA

Agency information: CE, "D" type fuses complying with DIN 49360 Part 2 and DIN 49515, operating class gL.

Catalog numbers

Catalog numbers	Amp ratings	Dimension "D" (mm)	Color code	Figure number
2D16	2	6	Pink	1
4D16	4	6	Brown	
6D16	6	6	Green	
10D16	10	8	Red	
16D16	16	10	Grey	
20D16	20	12	Blue	
25D16	25	14	Yellow	
2D27	2	6	Pink	2
4D27	4	6	Brown	
6D27	6	6	Green	
10D27	10	8	Red	
16D27	16	10	Grey	
20D27	20	12	Blue	
25D27	25	14	Yellow	
35D33	35	16	Black	3
50D33	50	18	White	
63D33	63	20	Copper	
80D125	80	5	Silver	4
100D125	100	7	Red	

Additional fuse links: Quick acting fuselinks in body sized D16, D27, D33 and D125 rated 2-100A. Reference number suffixed Q, i.e. 10D27Q. Voltage rating 500V. Gauge rings and keys can also be supplied.

Dimensions - mm

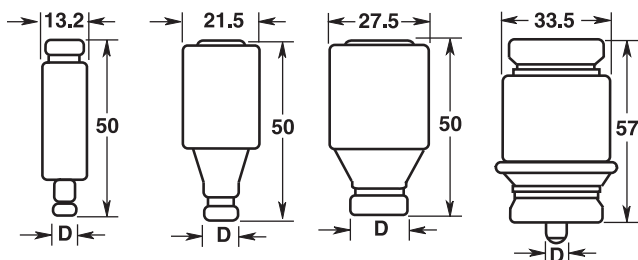


Figure 1

Figure 2

Figure 3

Figure 4

Data Sheet: 4124

NZ01, NZ02 Type D0

Specifications

Description: Low voltage Neozed fuses suitable for use on 250Vdc systems.

Dimensions: See catalog numbers table and dimensions illustration.

Construction: Ceramic body.

Ratings:

Volts: — 400Vac

Amps: — 2-63A

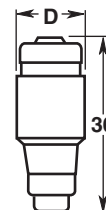
IR: — 50kA

Agency information: CE

Catalog numbers

Catalog numbers	Amp ratings	Dimension "D" (mm)	Color code
2NZ01	2	11	Pink
4NZ01	4	11	Brown
6NZ01	6	11	Green
10NZ01	10	11	Red
16NZ01	16	11	Grey
20NZ02	20	15	Blue
25NZ02	25	15	Yellow
35NZ02	35	15	Black
50NZ02	50	15	White
63NZ02	63	15	Copper

Dimensions - mm



Data Sheet: 4124

NHG B

Specifications

Class: gG/gL

Description: DIN square bodied, dual indication industrial fuses.

Construction: Steatite insulator, corrosion-proof (aluminum) metal parts with full-contact, silver-plated copper blades.

Sizes: DIN 000 to 4.

Selectivity ratio: 1:1.6 up to 500Vac.



Ratings:

Volts: — 500Vac

— 690Vac

Amps: — 2-1250A

IR: — 120kA

Frequency: — 50Hz

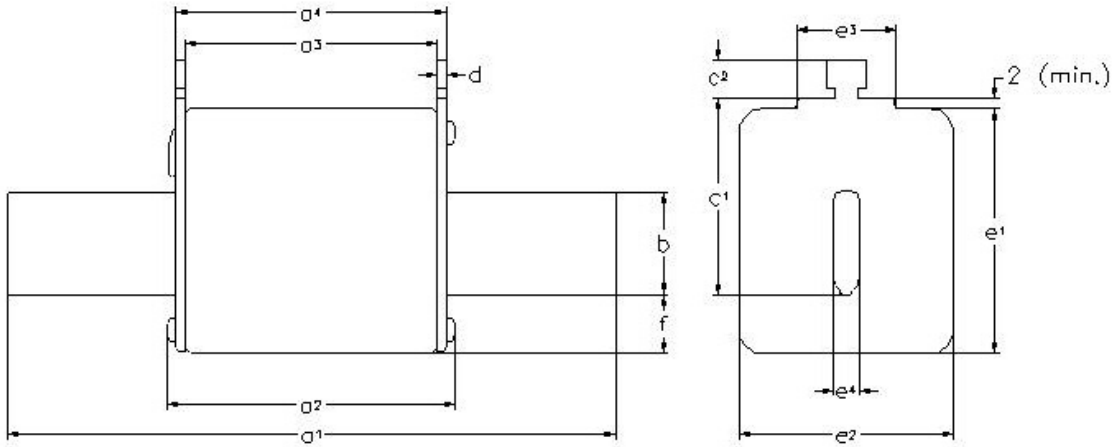
Operating frequency: — 45-62Hz

Agency information: IEC 60269, VDE 0636, DIN 43620 Part 1 to 4, VDE Mark and CE.

Fuse blocks	Size
SD00-D	000-00
SD1-D	1*, 1
SD2-D	02, 2, 03, 3

Dimensions - mm

Fuse size	a ¹	a ² (max)	a ³	a ⁴	b (nom)	c ¹ (± 8)	c ² (nom)	D (nom)	e ¹ (max)	e ² (max)	e ³ (max)	e ⁴ (nom)	f (max)
000	78.5 ± 1.5	54	45 ± 1.5	49 ± 1.5	15	35	10	2 ± 0.5	41	21	16	6	8
00	78.5 ± 1.5	54	45 ± 1.5	49 ± 1.5	15	35	11	7.0 ± 0.5	48	30	25	6	15
0	125 ± 2.5	68	62 +3/-1.5	68 +1.5/-3	15	35	11	2.5 ± 0.5	48	30	25	6	15
01	135 ± 2.5	75	62 ± 2.5	68 ± 2.5	15	40	11	2.5 ± 0.5	48	30	25	6	15
1	135 ± 2.5	75	62 ± 2.5	68 ± 2.5	20	40	11	2.5 ± 0.5	53	52	25	6	15
02	150 ± 2.5	75	62 ± 2.5	68 ± 2.5	20	48	11	2.5 ± 0.5	53	52	25	6	15
2	150 ± 2.5	75	62 ± 2.5	68 ± 2.5	25	48	11	2.5 ± 0.5	61	60	25	6	15
03	150 ± 3	75	62 ± 2.5	68 ± 2.5	25	60	11	2.5 ± 0.5	61	60	25	6	15
3	150 ± 3	75	62 ± 2.5	68 ± 2.5	32	60	11	3.0 ± 0.5	75	70	25	6	18
4	200	84	80	90	50	85	11	3	120	87	—	8	30



7

IEC and British Standard fuses

NH HRC fuses

690Vac

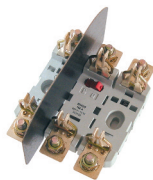


Size	Rated current (amps)	gG/gL dual indicator voltage conducting metal gripping lugs	Carton quantity
000	2	2NHG000B-690	3
	4	4NHG000B-690	3
	6	6NHG000B-690	3
	10	10NHG000B-690	3
	16	16NHG000B-690	3
	20	20NHG000B-690	3
	25	25NHG000B-690	3
	32	32NHG000B-690	3
	35	35NHG000B-690	3
	40	40NHG000B-690	3
00	50	50NHG000B-690	3
	63	63NHG000B-690	3
	50	50NHG00B-690	3
	63	63NHG00B-690	3
	80	80NHG00B-690	3
1	100	100NHG00B-690	3
	125	125NHG00B-690	3
	160*	160NHG00B-690	3
	50	50NHG1B-690	3
	63	63NHG1B-690	3
	80	80NHG1B-690	3
	100	100NHG1B-690	3
	125	125NHG1B-690	3
	160	160NHG1B-690	3
	200	200NHG1B-690	3
2	224	224NHG1B-690	3
	250	250NHG1B-690	3
	200	200NHG2B-690	3
	224	224NHG2B-690	3
	250	250NHG2B-690	3
3	315	315NHG2B-690	3
	250	250NHG3B-690	3
	315	315NHG3B-690	3
	355	355NHG3B-690	3
	400	400NHG3B-690	3
4	425	425NHG3B-690	3
	500	500NHG3B-690	3
	630	630NHG4B-690	1
	800	800NHG4B-690	1

* 160 amps rated at 660Vac.

** Size 4 is for a fuse with a single indicator link with slotted end tags.

SD*-D, SD*-S Up to 690V / 160 - 1250A sizes 000 to 4



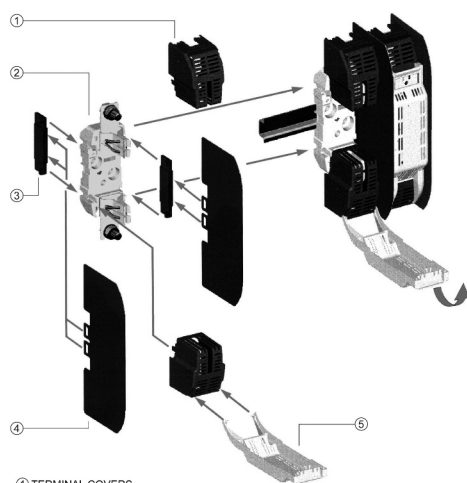
Description: NH fuse bases with thermoplastic bodies. DIN-Rail and screw mounting (size 4 screw fix). Range of protection accessories for live parts in order to obtain IP20 protection standard.

Ratings:

- Volts: up to 690Vac
- Amps: up to 1250A

Applications: Protection of industrial circuits and electrical apparatus

Standards and approvals: IEC 60269, DIN 43620



- ① TERMINAL COVERS
- ② BODY
- ③ SEPARATOR
- ④ PARTITION WALL
- ⑤ FUSE LINKS COVER

Shroud kits

Catalog numbers	Kit description
TD00-IP20	For TD00-D fuse base
TD1-IP20	For TD1-D fuse base
TD2-IP20	For TD2-D fuse base
TD3-IP20	For TD3-D fuse base
SD12-SK	For SD1 and SD2 fuse bases
SD3-SK	For SD3 fuse base

Catalog numbers

Size	Poles	Current (amps)	Catalog numbers	Carton quantity	Compatible fuse size
			DIN screw		
00	1	160A	SD00-D	3	000 and 00
	3		TD00-D	1	
1	1	250A	SD1-D	3	01 and 1
	3		TD1-D	1	
2	1	400A	SD2-D	3	02 and 2
	3		TD2-D	1	
3	1	630A	SD3-D	3	03 and 3
	3		TD3-D	1	
4	1	1250A	SD4-S (Screw connection only)	3	4

Neutral

NH size	Amps	Catalog number	Carton quantity
1	250	SDL-1	3
2	400	SDL-2	3
3	630	SDL-3	3



Fuse extraction handle

Size	Catalog number	Carton quantity
C00-3	FEH	1



Protection accessories

NH Size	Current (amps)	Terminal cover ①		Separator ③	
		Catalog number	Carton quantity	Catalog number	Carton quantity
00*	160A	CS00*	6	BC00*	2
0	160A	CS0	6	BC0	2
1	250A	CS1	6	BC1-2	2
2	400A	CS2	6	BC1-2	2
3	630A	CS3	6	BC3	2

* For single pole only

Phase barrier kits

Catalog number	For fuse base
SD12-PB	SD1 and SD2
SD3-PB	SD3

Kits include 2 phase barriers and 2 ganging links.

7

IEC and British Standard fuses

Class gG IEC 60269 industrial ferrule fuses

8x31mm, Class gG, 400Vac, 0.5 to 20 A

Catalog numbers		Rated voltage (Vac)	Amps	Interrupting rating at rated voltage (kA)
Without indicator	With indicator			
C08G0-5	-	400	0.5	20
C08G1	-		1	
C08G2	C08G2I		2	
C08G4	C08G4I		4	
C08G6	C08G6I		6	
C08G8	C08G8I		8	
C08G10	C08G10I		10	
C08G12	C08G12I		12	
C08G16	C08G16I		16	
C08G20	C08G20I		20	



10x38mm, Class gG, 500 and 400Vac, 0.5 to 32 A

Catalog numbers		Rated voltage (Vac)	Amps	Interrupting rating at rated voltage (kA)	Recommended fuse holder
Without indicator	With indicator				
C10G0-5	-	500	0.5	120	<ul style="list-style-type: none"> • CHM DIN-Rail* • BMM modular block
C10G1	C10G1I		1		
C10G2	C10G2I		2		
C10G4	C10G4I		4		
C10G6	C10G6I		6		
C10G8	C10G8I		8		
C10G10	C10G10I		10		
C10G12	C10G12I		12		
C10G16	C10G16I		16		
C10G20	C10G20I		20		
C10G25	C10G25I		25		
C10G32	C10G32I	400	32		
C10G32	-	400	32		
-	C10G32I	500	32		
-	C10G40I	500	40		
-	C10G50I	400	50		



* Not recommended for use with indicator version.

14x51mm, Class gG, 400, 500 and 690Vac, 1 to 50 A

Catalog numbers			Rated voltage (Vac)	Amps	Interrupting rating at rated voltage (kA)	Recommended fuse holder
Without indicator	With indicator	With striker				
C14G1	C14G1I	-	690	1	80	<ul style="list-style-type: none"> • CH14 DIN-Rail**
C14G2	C14G2I	-		2	120	
-	-	C14G2S	500	2	120	
C14G4	C14G4I	-	690	4	80	
-	-	C14G4S	500		120	
C14G6	C14G6I	-	690	6	80	
-	-	C14G6S	500		120	
C14G8	C14G8I	-	690	8	80	
-	-	C14G8S	500		120	
C14G10	C14G10I	-	690	10	80	
-	-	C14G10S	500		120	
C14G12	C14G12I	-	690	12	80	
-	-	C14G12S	500		120	
C14G16	C14G16I	-	690	16	80	
-	-	C14G16S	500		120	
C14G20	C14G20I	-	690	20	80	
-	-	C14G20S	500		120	
C14G25	C14G25I	-	690	25	80	
-	-	C14G25S	500		120	
C14G32	C14G32I	C14G32S	500	32	120	
C14G40	C14G40I	C14G40S		40		
C14G50	C14G50I	C14G50S	400	50		



** Not recommended for use with indicator version, use striker version to acutate optional, external microswitch.

Data Sheet 720115

22x58mm, Class gG, 400, 500 and 690Vac, 2 to 125 A

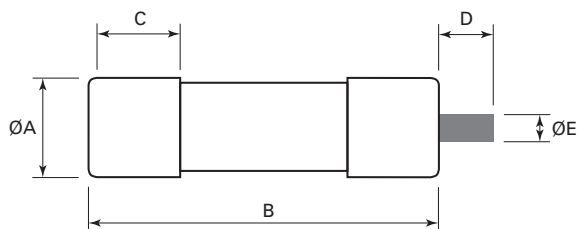
Catalog numbers			Rated voltage (Vac)	Amps	Interrupting rating at rated voltage (kA)	Recommended holder/block
Without indicator	With indicator	With striker				
C22G2	C22G2I	-	690	2	80	• CH22 DIN-Rail* • JM70100 modular block
C22G4	C22G4I	C22G4S				
C22G6	C22G6I	C22G6S				
C22G8	C22G8I	C22G8S				
C22G10	C22G10I	C22G10S				
C22G12	C22G12I	C22G12S				
C22G16	C22G16I	C22G16S				
C22G20	C22G20I	C22G20S				
C22G25	C22G25I	C22G25S				
C22G32	C22G32I	C22G32S				
C22G40	C22G40I	C22G40S				
C22G50	C22G50I	C22G50S				
C22G63	C22G63I	C22G63S				
C22G80	C22G80I	C22G80S	500	80	120	
C22G100	C22G100I	C22G100S				
C22G125	C22G125I	C22G125S		400		



* Not recommended for use with indicator version, use striker version to activate optional, external microswitch.

Data Sheet 720115

Dimensions - mm



Catalog symbol	Ø A	B	C	Indicator/striker	
				D	Ø E
C08M	8	31.5	6.3	—	—
C10M	10	38	10	—	—
C14M	14.3	51	13	8	4
C22M	22	58	16	8	4

Data Sheet 720115

7

IEC and British Standard fuses

Class aM IEC 60269 industrial ferrule fuses

8x31mm, Class aM, 400Vac, 1 to 8 A, without indicator

Catalog numbers	Rated voltage (Vac)	Amps	Interrupting rating at rated voltage (kA)
C08M1	400	1	20
C08M2		2	
C08M4		4	
C08M6		6	
C08M8		8	



10x38mm, Class aM, 500 and 400Vac, 0.25 to 25 A

Catalog numbers		Rated voltage (Vac)	Amps	Interrupting rating at rated voltage (kA)	Recommended fuse holder
Without indicator	With indicator				
C10M0-25	-	500	0.25	120	<ul style="list-style-type: none"> CHM DIN-Rail* BMM modular block
C10M0-5	-		0.5		
C10M1	C10M1I		1		
C10M2	C10M2I		2		
C10M4	C10M4I		4		
C10M6	C10M6I		6		
C10M8	C10M8I		8		
C10M10	C10M10I		10		
C10M12	C10M12I		12		
C10M16	C10M16I		16		
C10M20	C10M20I		20		
C10M25	C10M25I		25		
		400			



* Not recommended for use with indicator version.

14x51mm, Class aM, 400, 500 and 690Vac, 0.25 to 50 A

Catalog numbers			Rated voltage (Vac)	Amps	Interrupting rating at rated voltage (kA)	Recommended fuse holder
Without indicator	With indicator	With striker				
C14M0-25	-	-	690	0.25	120	<ul style="list-style-type: none"> CH14 DIN-Rail**
C14M0.5	-	-		0.5		
C14M1	C14M1I	-		1		
C14M2	C14M2I	-	500	2	120	
-	-	C14M2S		2	80	
C14M4	C14M4I	-	690	4	80	
-	-	C14M4S	500		120	
C14M6	C14M6I	-	690	6	80	
-	-	C14M6S	500		120	
C14M8	C14M8I	-	690	8	80	
-	-	C14M8S	500		120	
C14M10	C14M10I	-	690	10	80	
-	-	C14M10S	500		120	
C14M12	C14M12I	-	690	12	80	
-	-	C14M12S	500		120	
C14M16	C14M16I	-	690	16	80	
-	-	C14M16S	500		120	
C14M20	C14M20I	-	690	20	80	
-	-	C14M20S	500		120	
C14M25	C14M25I	-	690	25	80	
-	-	C14M25S	500		120	
C14M32	C14M32I	C14M32S	500	32	120	
C14M40	C14M40I	C14M40S		40		
C14M50	C14M50I	C14M50S		50		



** Not recommended for use with indicator version, use striker version to activate optional, external microswitch.

Data Sheet 720115

22x58mm, Class aM, 400, 500 and 690Vac, 2 to 125 A

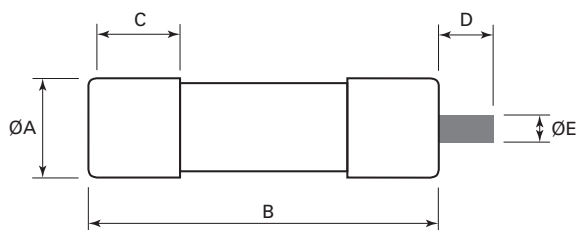
Catalog numbers			Rated voltage (Vac)	Amps	Interrupting rating at rated voltage (kA)	Recommended holder/block
Without indicator	With indicator	With striker				
C22M2	C22M2I	-	690	2	80	• CH22 DIN-Rail* • JM70100 modular block
C22M4	C22M4I	-		4		
C22M6	C22M6I	-		6		
C22M8	C22M8I	-		8		
C22M10	C22M10I	-		10		
C22M12	C22M12I	C22M12S		12		
C22M16	C22M16I	C22M16S		16		
C22M20	C22M20I	C22M20S		20		
C22M25	C22M25I	C22M25S		25		
C22M32	C22M32I	C22M32S		32		
C22M40	C22M40I	C22M40S		40		
C22M50	C22M50I	C22M50S		50		
C22M63	C22M63I	C22M63S		63		
C22M80	C22M80I	C22M80S		500		
C22M100	C22M100I	C22M100S	100			
C22M125	C22M125I	C22M125S	125			
			400	125		



* Not recommended for use with indicator version, use striker version to activate optional, external microswitch.

Data Sheet 720115

Dimensions - mm



Catalog symbol	Ø A	B	C	Indicator/striker	
				D	Ø E
C08M	8	31.5	6.3	—	—
C10M	10	38	10	—	—
C14M	14.3	51	13	8	4
C22M	22	58	16	8	4

Data Sheet 720115

CAMaster

Specifications

Catalog symbol:

See table below.

Description: The Bussmann series CAMaster HRC fuse holder features a unique cam-action for easy fuse removal while allowing significantly improved contact pressure between fuse carrier and base contact that enhances electrical performance. A range of lockable safety carriers for the fuse holder (catalog reference: LSC), are available.

Ratings:

Volts: — 690V

Amps: — up to 100A (see catalog number table for details)

Agency information: CE, CSA C22.2 No. 39; IEC 269 AND BS 88.

Mounting: 35mm DIN-Rail or single screw mounting.



SAFEloc

Specifications

catalog symbol:

See table below.

Description: The Bussmann series SAFEloc HRC fuse holders (for use with HRCI-CB fuses) provides a positive, stress-free fuse fitting and locks it in position to ensure safe insertion and withdrawal from the base. Base contacts are fully shrouded to help protect against electric shock. Shrouds utilize simple slide/snap action allowing access to the contact terminal screws.

Ratings:

Volts: — 600V

Amps: — 30-60A (see catalog number table for details)

Agency information: CE, designed to accommodate the compact range of offset blade fuse to CSA C22.2 No. 106, HRCI-CB.

Mounting: 35mm DIN-Rail or single screw mounting.



Catalog numbers

Catalog numbers	Amp ratings	Details for:	Fuse accepted
CM20CF	30	HRCI-CA applications	_CIF21
CM30CF	30	HRCII applications	_H07C
CM60CF	60		_K07C
CM100CF	100		_K07CR

Accessory catalog numbers for CAMaster units

Catalog numbers	Amp ratings	Details	Fuse holder accepted
20BS	30	Back stud	CM20CF
32BS	30		CM30CF
60/100BS	60/100		CM60/100CF
GLP	All	Ganging link kit	3-Pole
20LSC	30	Security carrier with clip	CM20CF
32LSC	30		CM30CF
63/100LSC	60/100A		CM60/100CF

Catalog numbers*

Catalog numbers	Amp ratings	Connection	Fuse accepted
C30F	30	Front	_CIF06
C30BS		Back	
C30FBS		Front-back	
C60F	60	Front	EK-Amp
C60BS		Back	
C60FBS		Front-back	

*For use with HRCI-CB fuses.

Bussmann series Red Spot fuse holders

These versatile CSA Certified and IP20 finger-safe fuse holders for BS88 HRC industrial fuses are available in ratings from 20 to 400 amps.

Padlock inserts, warning carriers and fuse adapter accessories enhance safety and application flexibility.

See data sheet 10083 for details.

