

**KOMPAN!**

FAZ5010X-0000

FAZ5010X-0800

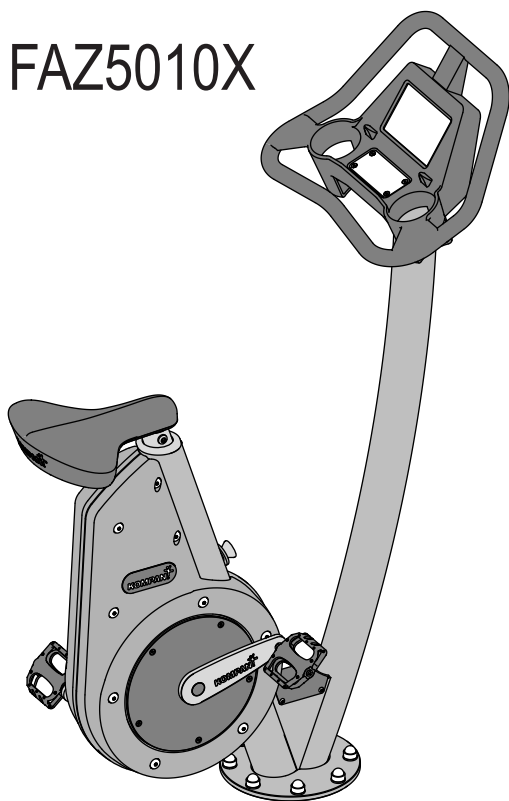
FAZ5020X-0000

FAZ5020X-0800

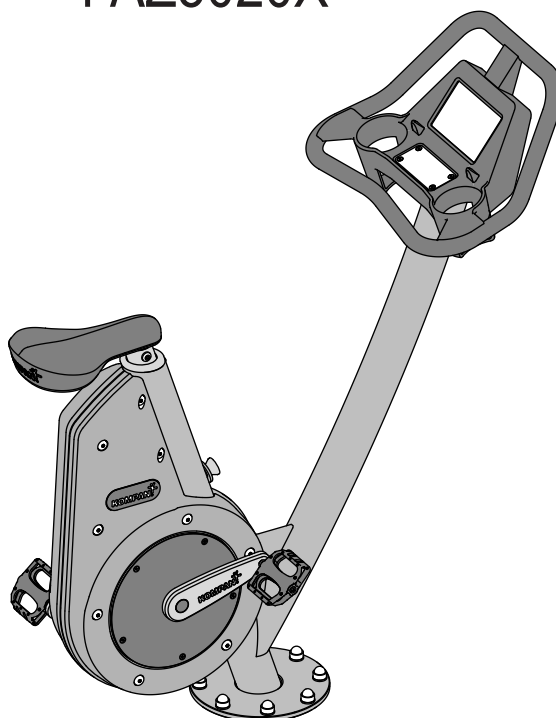
# ASTM F3101

---

FAZ5010X



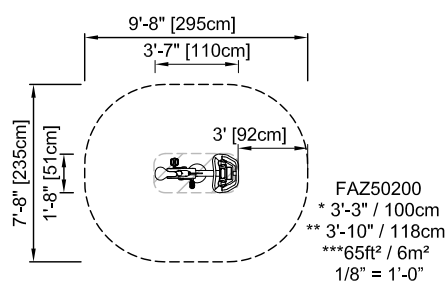
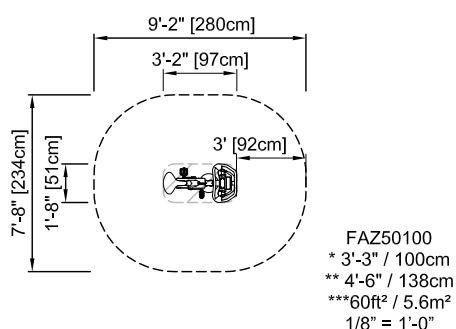
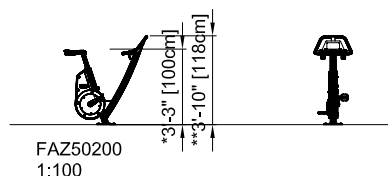
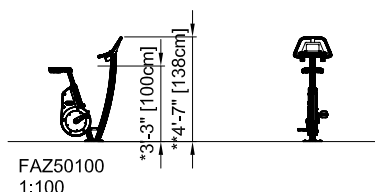
FAZ5020X







Safety zone in accordance with ASTM F3101  
 Sicherheitsabstand gemäß ASTM F3101  
 Espace d'évolution selon ASTM F3101  
 Zona de seguridad según ASTM F3101  
 Distanze di sicurezza in conformità con lo standard ASTM F3101  
 Veiligheidsgebied in overeenstemming met ASTM F3101  
 Säkerhetsområde enl ASTM F3101  
 Sikkerhedsareal iht. ASTM F3101  
 Зона безопасности в соответствии с ASTM F3101  
 ASTM F3101-normin mukainen turva-alue



\* Free height of fall  
 Freie Fallhöhe  
 Hauteur de chute libre  
 Altura de caída libre  
 Altezza di caduta libera  
 Vrije valhoogte  
 Fri fallhøjde  
 Fri faldhøjde  
 Высота свободного падения  
 Vapaa putoamiskorkeus

Please note: The safety zone shown on this drawing is in accordance with ASTM F3101. There may be some locations where a larger safety zone is required. If in doubt, please contact your play consultant.

Achtung: Der angegebene Sicherheitsabstand entspricht ASTM F3101. Bestimmte Länder schreiben größere Sicherheitsabstände vor. Bitte wenden Sie sich in Zweifelsfällen an Ihren Berater.

Attention : l'espace d'évolution montré est conforme à ASTM F3101. Dans certains pays, un espace d'évolution plus grand peut être exigé. Prière de contacter notre conseiller en cas de doute.

Observe: La zona de seguridad demostrada en este dibujo cumple con ASTM F3101. En algunos sitios puede ser necesaria una zona de seguridad más grande. En caso de tener alguna duda, por favor póngase en contacto con nuestro consultor.

Attenzione: la distanza di sicurezza specificata è conforme ai requisiti ASTM F3101. In alcuni paesi, le norme locali possono richiedere distanze di sicurezza maggiori. In caso di dubbi, contattare il nostro consulente.

N.B.: het getoonde veiligheidsgebied is in overeenstemming met ASTM F3101. In sommige landen kan een groter veiligheidsgebied vereist zijn. In geval van twijfel onze adviseur raadplegen.

Obs: Det markerede sikkerhedsområdet følger ASTM F3101. I vissa länder kan det finnas krav på större säkerhetsområde. Kontakta vänligen vår konsulent om du är osäker.

Obs.: Det viste sikkerhedsareal er i overensstemmelse med ASTM F3101. I nogle lande kan der være krav om større sikkerhedsareal. Kontakt venligst vores konsulent ved tvivlsspørgsmål.

Внимание: Зона безопасности указана в соответствии с ASTM F3101. Возможны случаи, когда требуется увеличение зоны безопасности. В затруднительных случаях обращайтесь к Вашему консультанту.

Huom: Tämän piirustuksen turva-alue on ASTM F3101-normin mukainen. Joissain sijoituspaikoissa saatetaan edellyttää suurempaa turva-alueita. Jos olet epävarma, otathan yhteyttä KOMPANIin.

Copyright©KOMPAN A/S



**A**



A100-42

**B**



A10089-18

**C**



210020

**D**



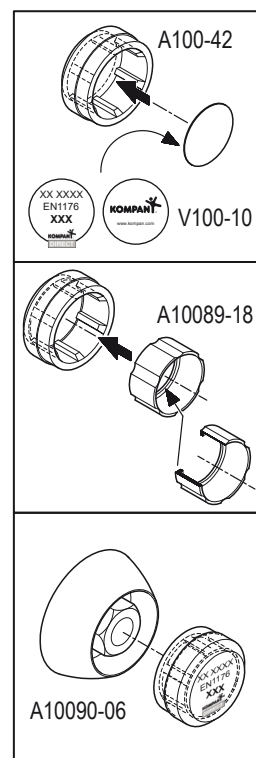
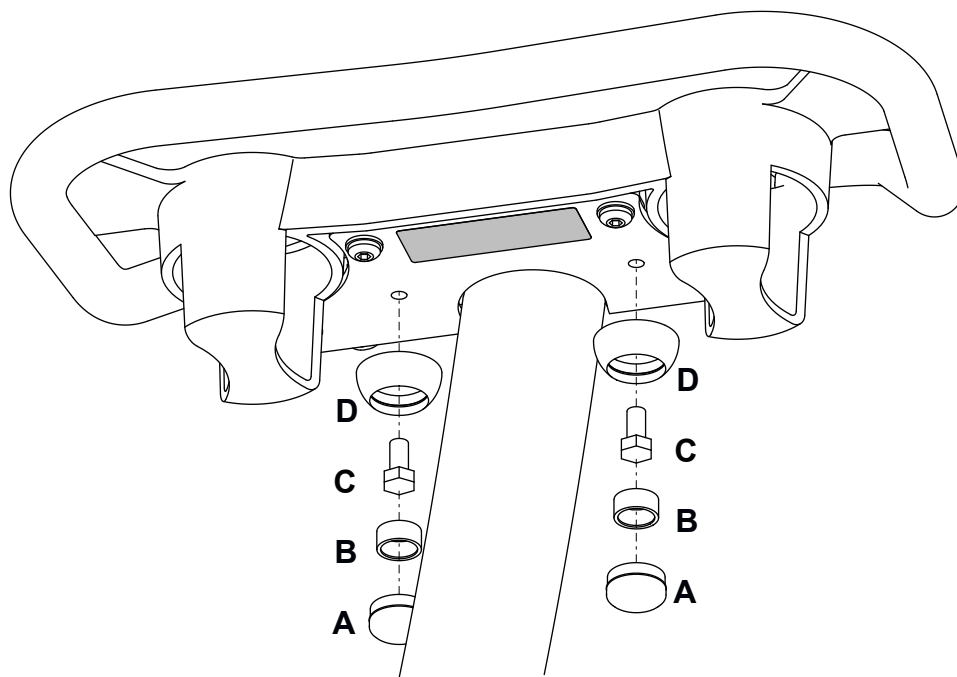
A10090-06

# FAZ5010X-XXXX FAZ5020X-XXXX

4x 200201705012

A775XXX-110

A775425-99

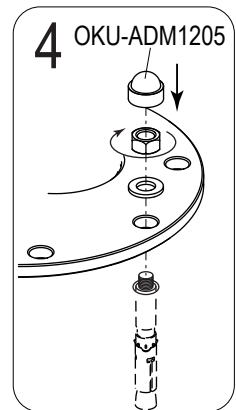
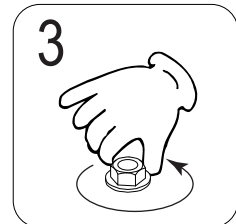
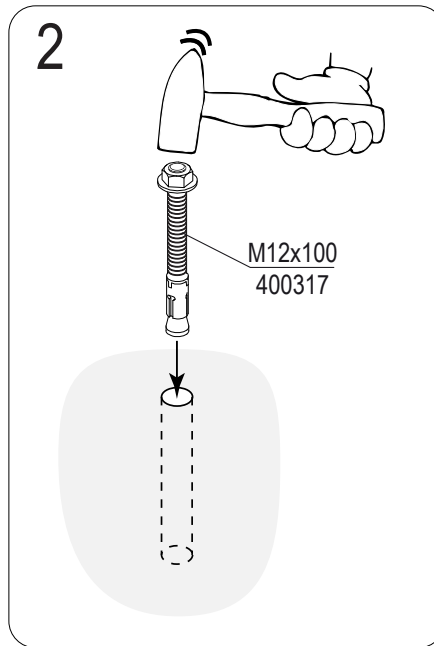
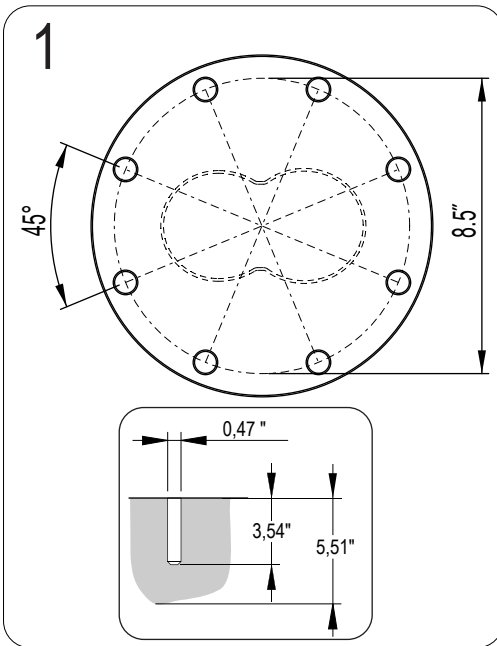
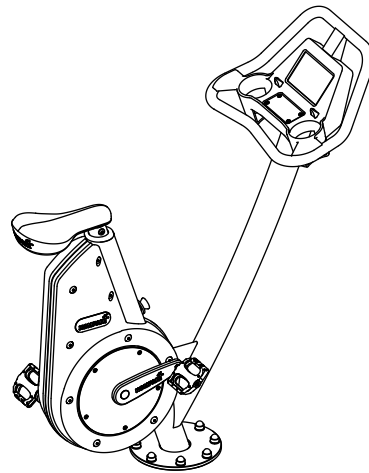
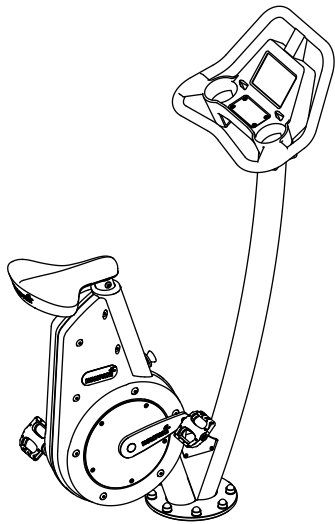




# FAZ50X0X-000X

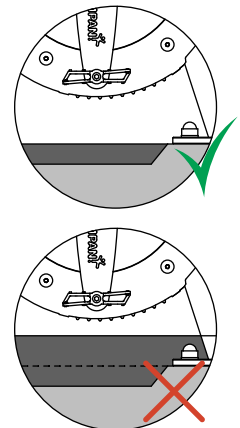
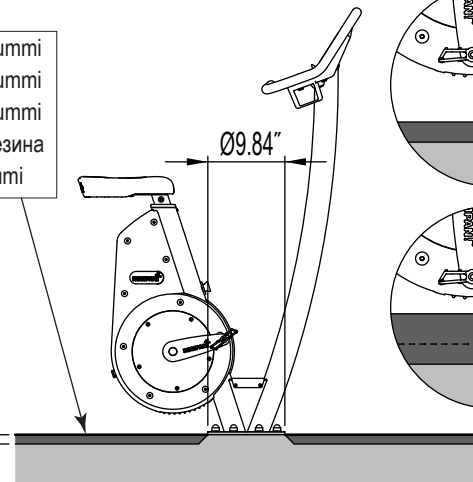
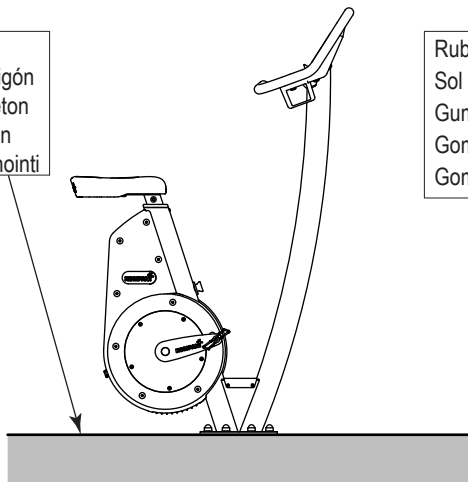
AC775211-XXXX - FAZ50100-00XX  
 AC775210-XXXX - FAZ50101-00XX

AC775213-XXXX - FAZ50200-00XX  
 AC775212-XXXX - FAZ50201-00XX



Concrete  
 Béton - Hormigón  
 Cemento - Beton  
 Betong - Beton  
 Бетон - Betonointi

Rubber Gummi  
 Sol couté Gummi  
 Gummi Gummi  
 Goma Резина  
 Gomma Kumi

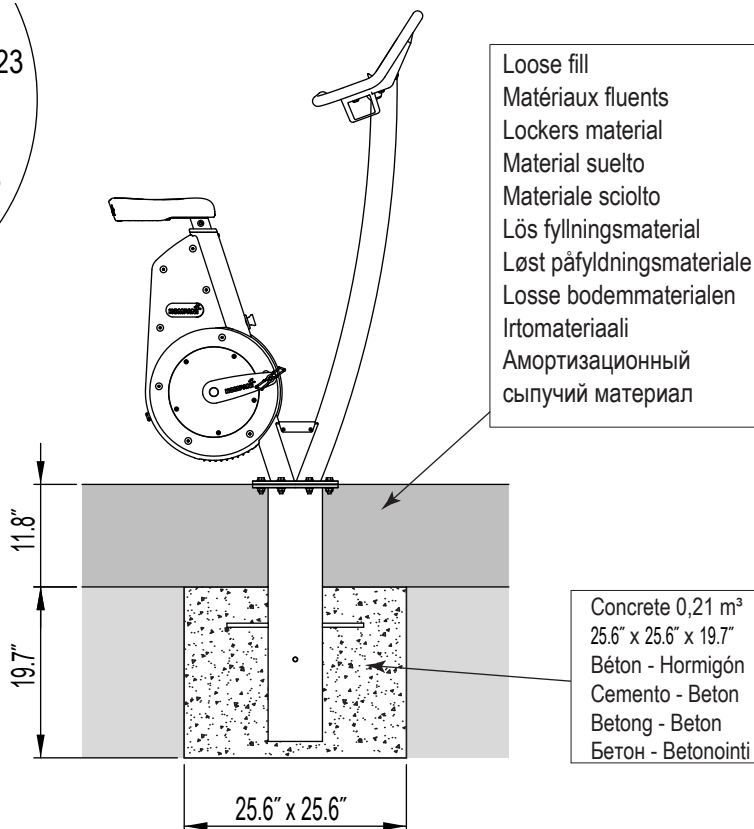
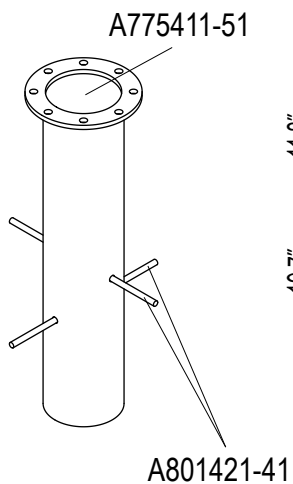
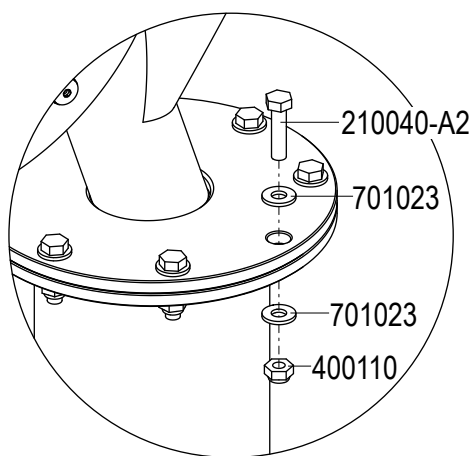
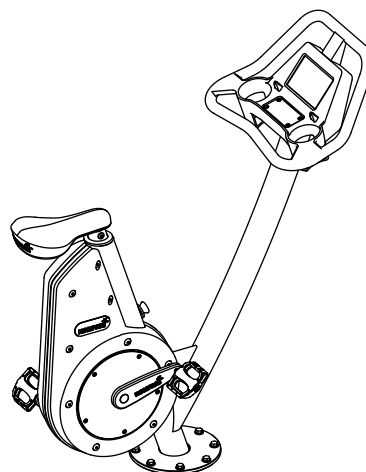
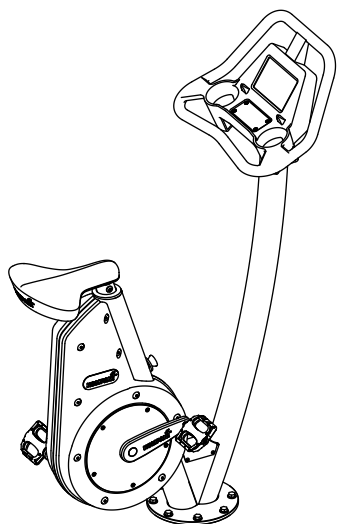




# FAZ50X0X-080X

AC775211-XXXX - FAZ50100-08XX  
AC775210-XXXX - FAZ50101-08XX

AC775213-XXXX - FAZ50200-08XX  
AC775212-XXXX - FAZ50201-08XX



VFAZ50100E 20190228 PetruJu

**KOMPAN!**

FAZ5010X-00XX

FAZ5010X-08XX

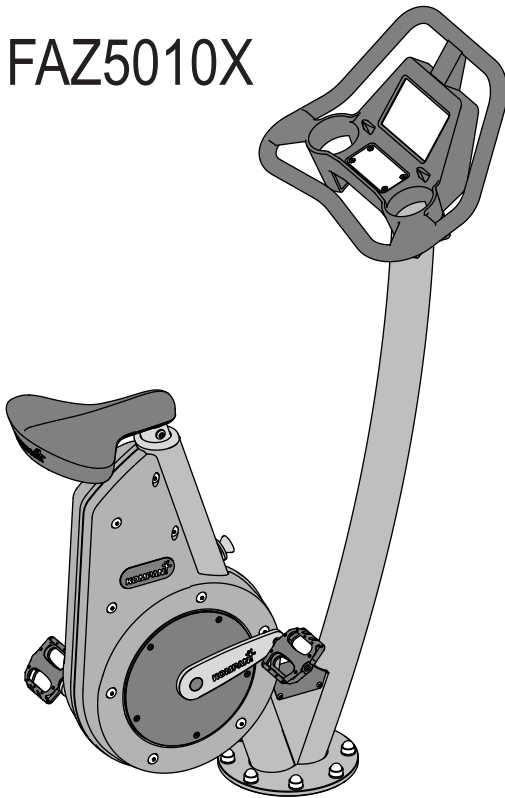
FAZ5020X-00XX

FAZ5020X-08XX

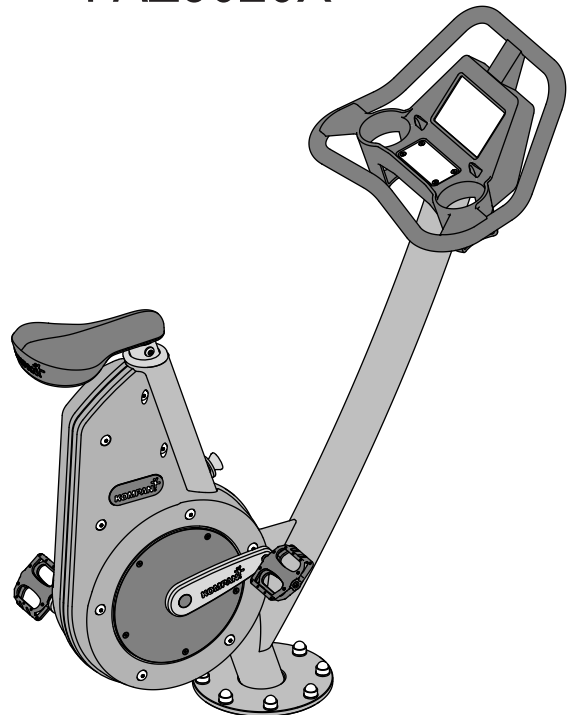
EN16630

---

FAZ5010X



FAZ5020X

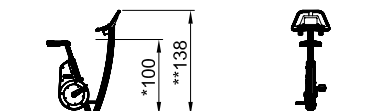




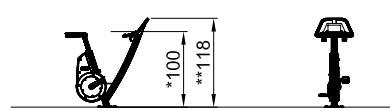




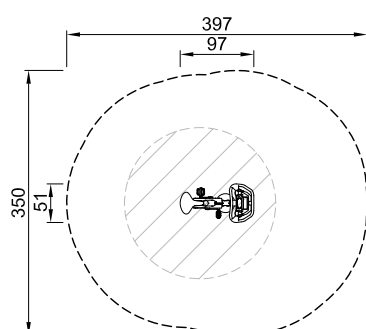
Safety zone in accordance with EN 16630  
 Sicherheitsabstand gemäß EN 16630  
 Espace d'évolution selon EN 16630  
 Zona de seguridad según EN 16630  
 Distanze di sicurezza in conformità con lo standard EN 16630  
 Veiligheidsgebied in overeenstemming met EN 16630  
 Säkerhetsområde enl EN 16630  
 Sikkerhedsareal iht. EN 16630  
 Зона безопасности в соответствии с EN 16630  
 EN 16630-normin mukainen turva-alue



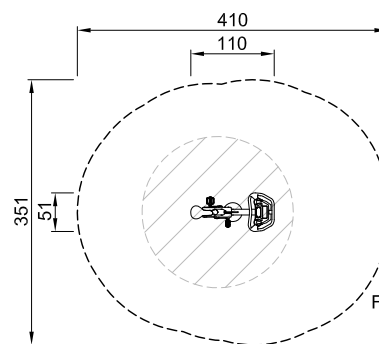
FAZ50100  
1:100



FAZ50200  
1:100



FAZ50100  
\*100cm  
\*\*138cm  
\*\*\*11.1m<sup>2</sup>



FAZ50200  
\*100cm  
\*\*118cm  
\*\*\*11.4m<sup>2</sup>

\* Free height of fall  
 Freie Fallhöhe  
 Hauteur de chute libre  
 Altura de caída libre  
 Altezza di caduta libera  
 Vrije valhoogte  
 Fri fallhöjd  
 Fri faldhøjde  
 Высота свободного падения  
 Varaa putoamiskorkeus

All measurements are in cm  
 Alle Maßangaben in cm  
 Toutes les dimensions sont indiquées en cm  
 Todas las medidas están indicadas en cm  
 Tutte le misure sono in cm  
 Alle afmetingen zijn in cm  
 Alla mått är angivna i cm  
 Alle mål er angivet i cm  
 Все измерения в см.  
 Kaikki ohjeessa mainitut mitat ovat senttimetrejä.

Please note: The safety zone shown on this drawing is in accordance with EN 16630. There may be some locations where a larger safety zone is required. If in doubt, please contact your play consultant.

Achtung: Der angegebene Sicherheitsabstand entspricht EN 16630. Bestimmte Länder schreiben größere Sicherheitsabstände vor. Bitte wenden Sie sich in Zweifelsfällen an Ihren Berater.

Attention : l'espace d'évolution montré est conforme à EN 16630. Dans certains pays, un espace d'évolution plus grand peut être exigé. Prière de contacter notre conseiller en cas de doute.

Observe: La zona de seguridad demostrada en este dibujo cumple con EN 16630. En algunos sitios puede ser necesaria una zona de seguridad más grande. En caso de tener alguna duda, por favor póngase en contacto con nuestro consultor.

Attenzione: la distanza di sicurezza specificata è conforme ai requisiti EN 16630. In alcuni paesi, le norme locali possono richiedere distanze di sicurezza maggiori. In caso di dubbi, contattare il nostro consulente.

N.B.: het getoonde veiligheidsgebied is in overeenstemming met EN 16630. In sommige landen kan een groter veiligheidsgebied vereist zijn. In geval van twijfel onze adviseur raadplegen.

Obs: Det markerede sikkerhetsområdet følger EN 16630. I vissa länder kan det finnas krav på större säkerhetsområde. Kontakta vänligen vår konsulent om du är osäker.

Obs.: Det viste sikkerhedsareal er i overensstemmelse med EN 16630. I nogle lande kan der være krav om større sikkerhedsareal. Kontakt venligst vores konsulent ved tvivlsspørgsmål.

Внимание: Зона безопасности указана в соответствии с EN 16630. Возможны случаи, когда требуется увеличение зоны безопасности. В затруднительных случаях обращайтесь к Вашему консультанту.

Huom: Tämän piirustuksen turva-alue on EN 16630-normin mukainen. Joissain sijoituspaikoissa saatetaan edellyttää suurempaa turva-aluetta. Jos olet epävarma, otathan yhteyttä KOMPANIin.



**A**



A100-42

**B**



A10089-18

**C**



210020

**D**



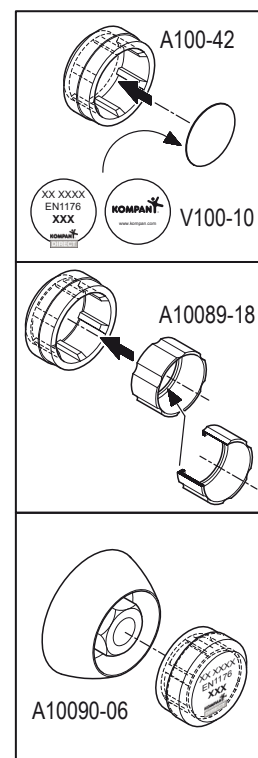
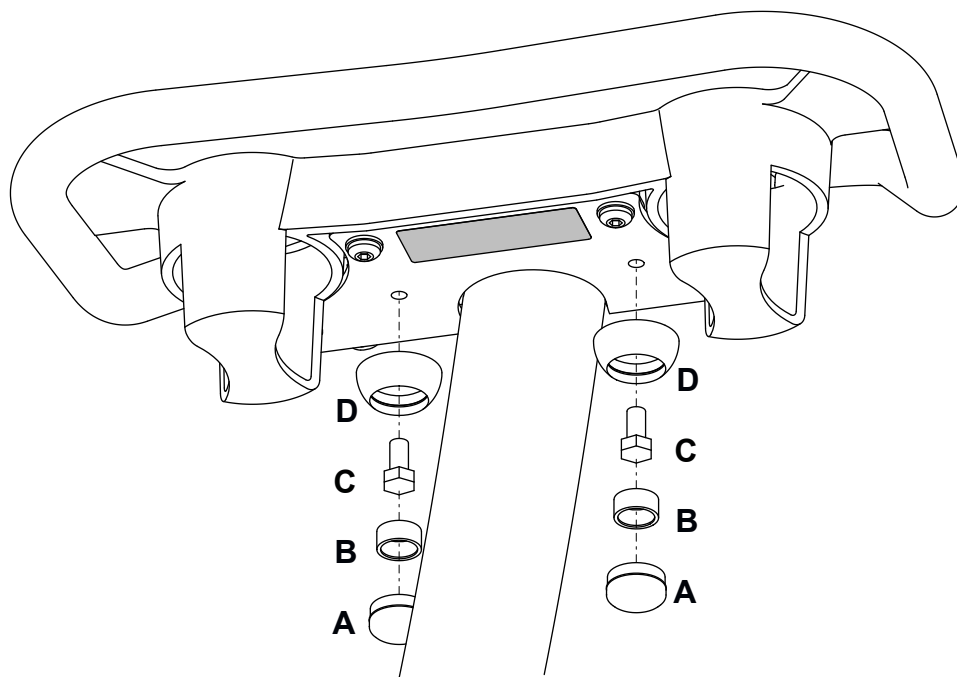
A10090-06

# FAZ5010X-XXXX FAZ5020X-XXXX

4x 200201705012

A775XXX-110

A775425-99



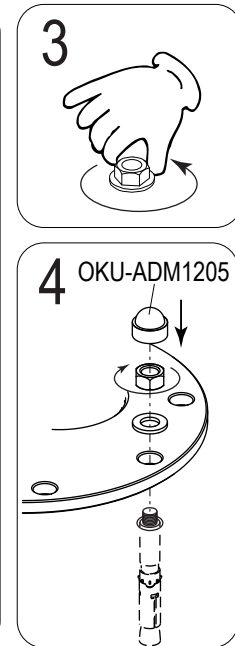
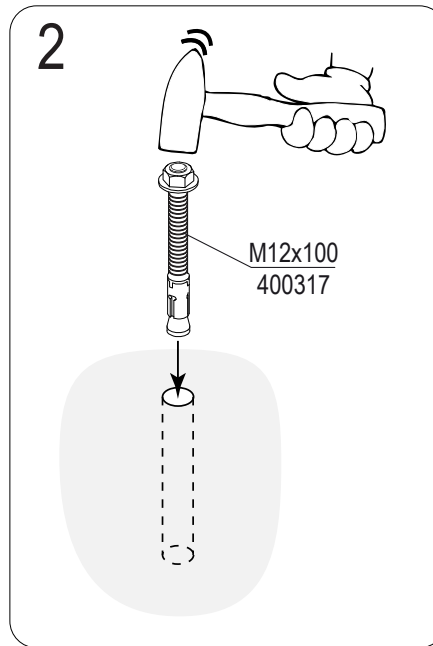
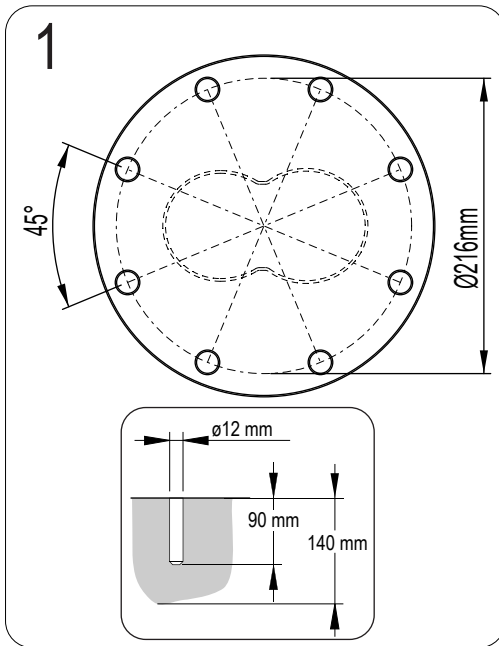
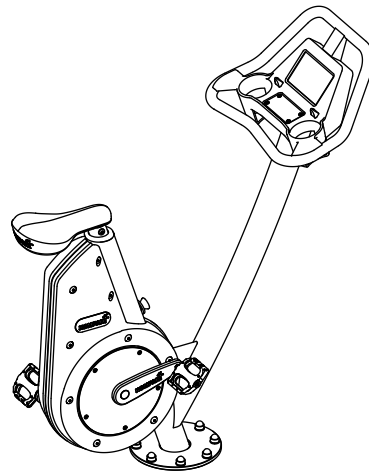
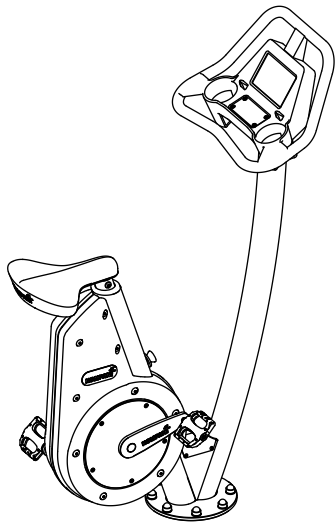
VFAZ50100E 20190228 PetrJu



# FAZ50X0X-000X

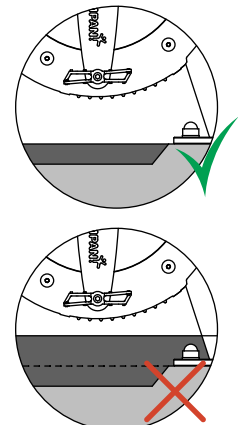
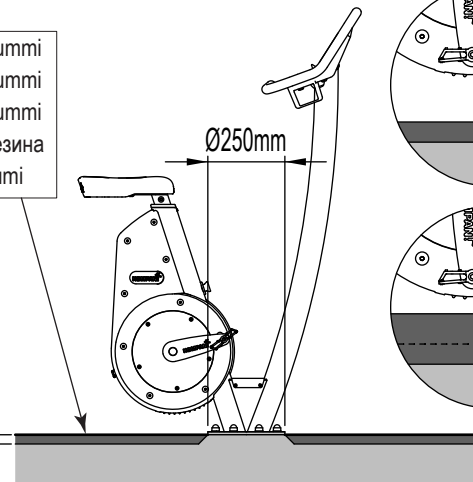
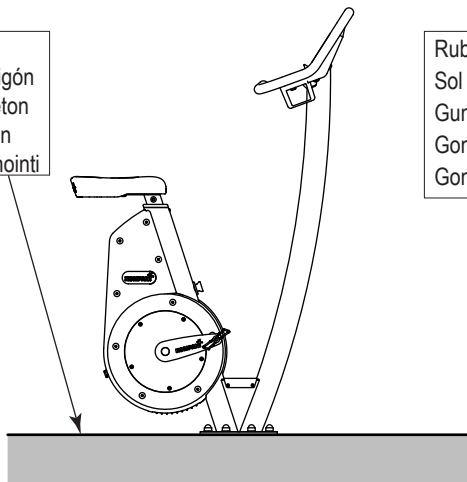
AC775211-XXXX - FAZ50100-00XX  
AC775210-XXXX - FAZ50101-00XX

AC775213-XXXX - FAZ50200-00XX  
AC775212-XXXX - FAZ50201-00XX



Concrete  
Béton - Hormigón  
Cemento - Beton  
Betong - Beton  
Бетон - Betonointi

Rubber Gummi  
Sol couté Gummi  
Gummi Gummi  
Goma Резина  
Gomma Kumi

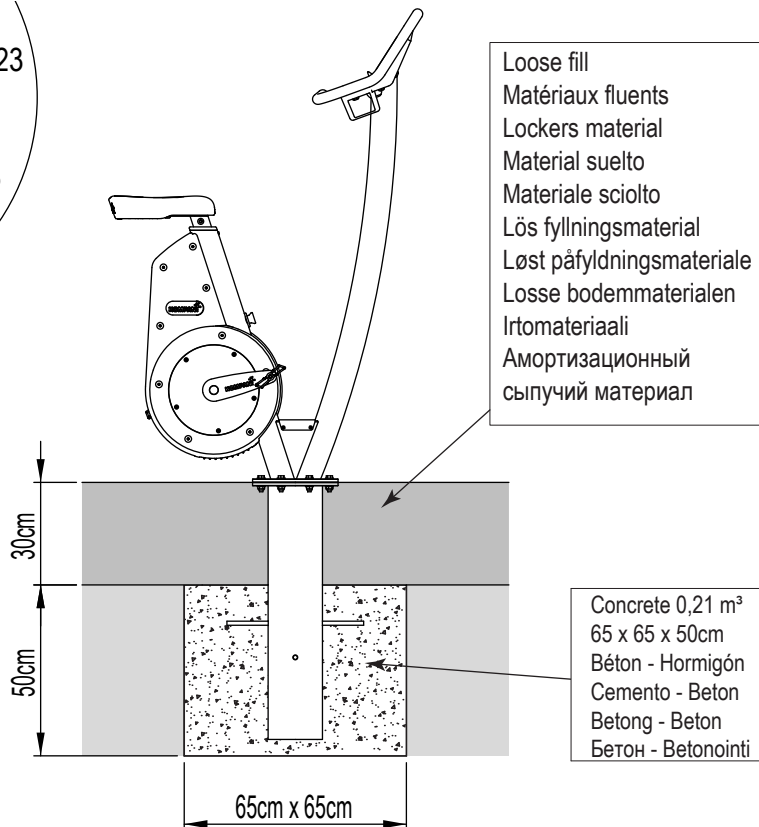
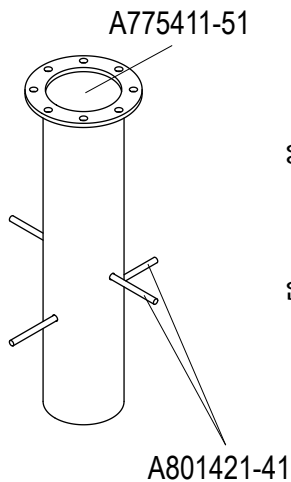
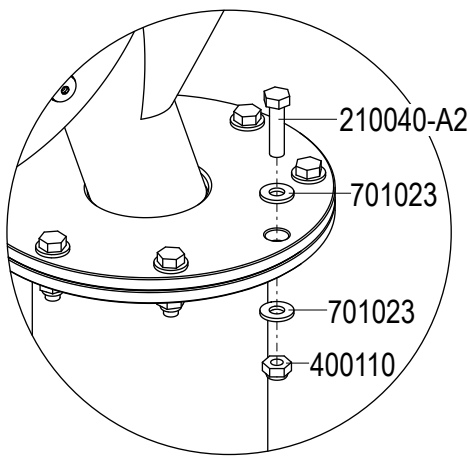
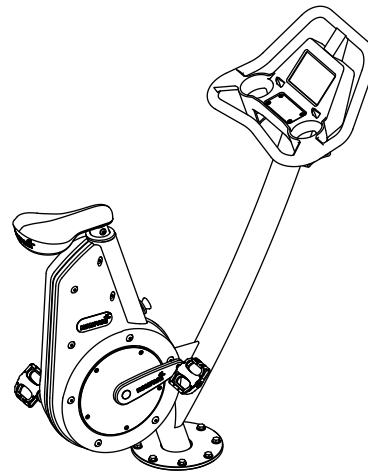
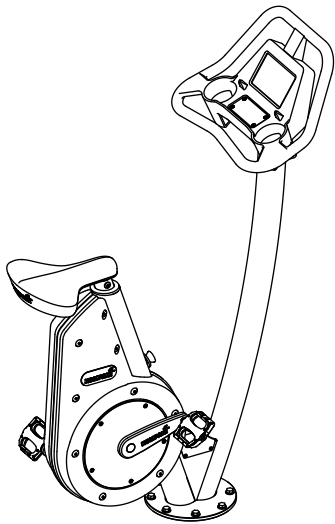


# FAZ50X0X-080X



AC775211-XXXX - FAZ50100-08XX  
 AC775210-XXXX - FAZ50101-08XX

AC775213-XXXX - FAZ50200-08XX  
 AC775212-XXXX - FAZ50201-08XX

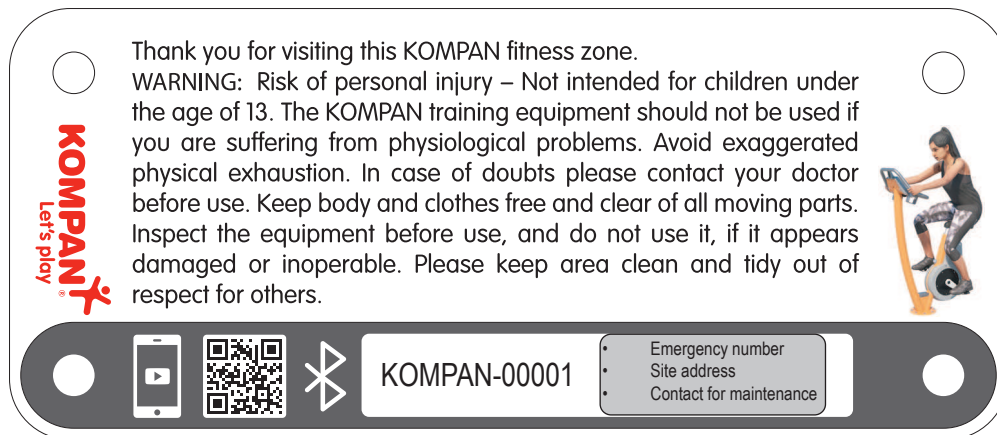


## Outdoor Fitness Equipment

On outdoor fitness equipment we want to point out that according to EN 16630 it is the responsibility of the owner to provide information about:

- Emergency phone call number
- Address of the site
- Contact info - phone number or URL - to maintenance staff.

This information can either be available on a separate sign or it can be placed on the KOMPAN safety sign:



For USA / Canada only:

## Installation Instruction for Warning Labels

NOTE: IF FITNESS SITE REQUIRES COMPLIANCE  
TO THE U.S. STANDARD ASTM F3101, INSTALLATION OF  
THE WARNING LABEL IS MANDATORY.

Install the Label on your play structure such that it is visible from a distance of 8 feet and apparent to anyone approaching the structure. Select a smooth surface. The surface must be clean and dry to insure reliable adhesion.

If a label becomes unreadable for any reason, contact us to receive a new one free of charge.

KOMPAN, Inc.  
930 Broadway  
Tacoma, WA 98501  
Tel: (800)426-9788 Fax: (360)943-6254

Uniquement destiné aux Etats-Unis et au Canada:

## Instructions de pose des étiquettes d'avertissement

NOTE: SI VOTRE SITE DOIT ETRE EN CONFORMITE  
AVEC LA NORME AMERICAINE ASTM F3101, L'INSTALLATION DE  
L'ETIQUETTE D'AVERTISSEMENT EST OBLIGATOIRE.

Placez l' étiquette sur l' équipement de jeux de manière à ce qu'elle soit visible à partir d'une distance de 8 pieds et apparente à quiconque s'approche de l'équipement. La surface doit être propre et sèche afin d'assurer une bonne adhésion.

Si pour une raison quelconque une étiquette devient illisible, prière de nous contacter afin de recevoir une nouvelle étiquette gratuitement.

KOMPAN, Inc.  
930 Broadway  
Tacoma, WA 98501  
Tél: (800)426-9788 Fax: (360)943-6254

Sólo para EE.UU. / Canadá:

## Instrucciones de colocación de las etiquetas de advertencia

NOTA: SI SU ZONA DE RECREO TIENE QUE CUMPLIR LA NORMA ASTM F3101 ESTADOUNIDENSE, ENTONCES ES OBLIGATORIO COLOCAR LA ETIQUETA DE ADVERTENCIA.

Coloque la etiqueta en la estructura de juego de modo que sea visible a 8 pies (unos 2,5 m) de distancia y que sea apreciable para cualquiera que se acerque a la estructura. Elija una superficie lisa. La superficie debe estar limpia y seca para garantizar que se pegue bien.

Si por cualquier motivo una etiqueta ya no fuera legible, contacte con nosotros y le enviaremos una nueva gratis.

KOMPAN, Inc.  
930 Broadway  
Tacoma, WA 98501  
Tel.: (800)426-9788 Fax: (360)943-6254

# User Manual







## Contents

<b>Installation instructions</b> .....	3
<b>Important safety instructions</b> .....	3
<b>Operating instructions</b> .....	4
<b>Description of equipment</b> .....	4
<b>Description of display (on bikes with screens)</b> .....	5
<b>Changing units on the display</b> .....	5
<b>Seat adjustment</b> .....	6
<b>Recommended seat position</b> .....	6
<b>Use of bike and adjustment of workload</b> .....	7
<b>Bluetooth connection of smartphone and use of app</b> .....	7
<b>Technical Specifications</b> .....	8
<b>Sport bike</b> .....	8
<b>City bike</b> .....	8
<b>General dimensions</b> .....	9
<b>Resistance</b> .....	9
<b>LCD touch display</b> .....	9
<b>Pedal arms (pedals)</b> .....	10
<b>User-maintenance instructions</b> .....	10



## Installation instructions

Find the installation instructions for the current cardio product on KOMPAN homepage:  
[www.kompanmaster.com/kompanmaster](http://www.kompanmaster.com/kompanmaster)

## Important safety instructions

When using an electrical appliance, basic precautions should always be followed, including the following:

### **Read all instructions before using this exercise equipment**

**WARNING** - To reduce the risk of burns, fire, electric shock, or injury to persons:

- 1) This appliance is not intended for use by persons with reduced physical, sensory or mental capabilities, or lack of experience and knowledge, unless they have been given supervision or instruction concerning use of the appliance by a person responsible for their safety. Keep children under the age of 13 away from this machine.
- 2) Use this appliance only for its intended use as described in this manual. Do not use attachments not recommended by KOMPAN.

**SAVE THESE INSTRUCTIONS**



## Operating instructions

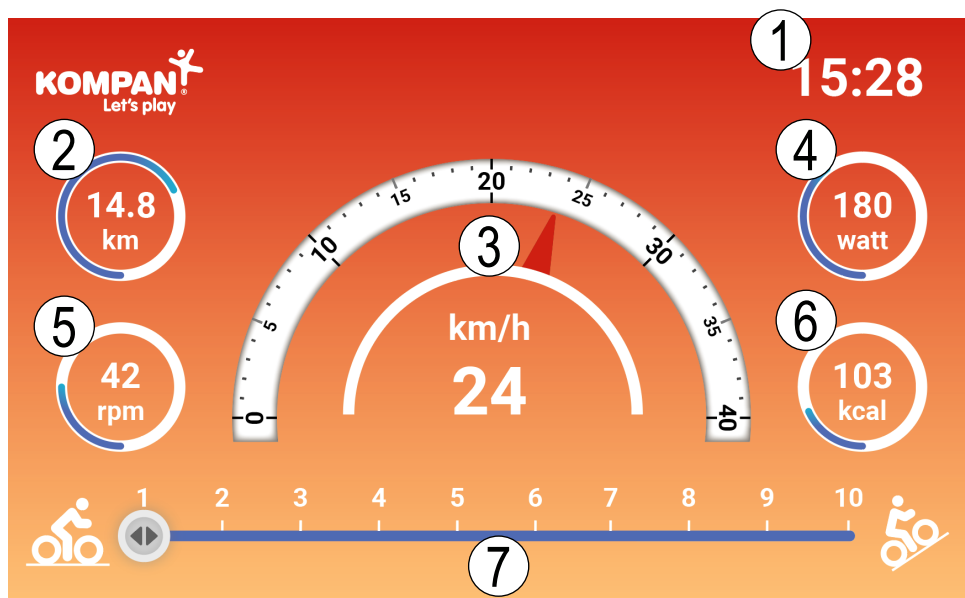
### Description of equipment



1. Handlebar with bottleholders
2. Touch screen or instruction sign
3. Seat
4. Seat adjustment knob
5. Pedals



## Description of display (on bikes with screens)



1. Time since start of session displayed in minutes and seconds
2. Distance travelled since start of the exercise session. Measured in km or miles
3. Speed expressed in km (kilometers per hour) or mph (miles per hour)
4. Workload / Power expressed in watts. The combination of cadence and effort level determines the workload
5. Cadance expressed in RPM (revolutions per minute)
6. Calories burned since start of the exercise session (measured in kcal)
7. Adjustable effort level scale

### Changing units on the display

- ☒ Units can be switched between km and miles by tapping the speed indication in the middle of the screen.



## Seat adjustment

1. Hold the seat with one hand and pull out the adjustment knob with the other hand.
2. Adjust the seat to desired height and release the adjustment knob. Push the saddle down and make sure it clicks into a locked position.



## Recommended seat position

- Adjust the height of the seat to a position, where your knee is slightly bend with the pedal in the lowest position.





## **Use of bike and adjustment of workload**

On bike models without screen

1. Make sure seat height is properly adjusted
2. Start pedaling at a moderate pace
3. As you pedal faster the bike will automatically increase the workload

On bike models with screen

1. Make sure seat height is properly adjusted
2. Start pedaling at a moderate pace until the display lights up
3. Adjust the effort level by tapping the level scale on the display

## **Bluetooth connection of smartphone and use of app**

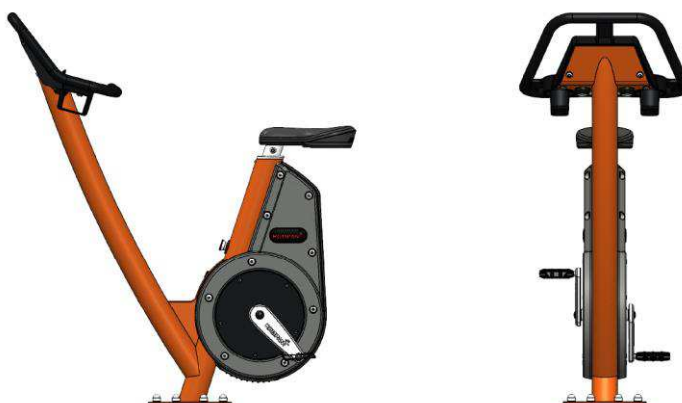
1. Download the KOMPAN Cardio app. This can be done by scanning the QR code on the bike or searching for “KOMPAN Cardio” in either Google Play or App Store.
2. Start the app and follow the instructions in the app.



## Technical Specifications

### Sport bike

- Height: 1176 mm
- Width: 413 mm
- Length: 1046 mm



### City bike

- Height: 1385 mm
- Width: 413 mm
- Length: 920 mm





## General dimensions

- Access height (City: 182 mm / Sport: 313 mm)
- Crank height from ground: 270 mm
- Pedal arm length: 170 mm
- Q factor (distance between pedals) 175 mm

## Resistance

- Self-powering system – no grid connection needed
- Flywheel: Virtual
- Resistance levels: Adjustable in 10 steps
- Minimum resistance for start-up: 26 W at 40 RPM
- Continues resistance (20 min): 210 W at 90 RPM
- Peak resistance (Sprint): 950 W at 110 RPM
- Bluetooth connectivity: Standard Bluetooth LE protocol

## LCD touch display

- Display size: 7"
- Resolution: 800 x 480
- LCD type: TFT, transmissive, anti-glare surface treatment and optical bonding
- Color: 262K
- Display brightness: 650 cd/m<sup>2</sup>
- Vandalism proof protection glass rating: IK8
- Ingress protection class: IPX5





## **Pedal arms (pedals)**

- Standard mounting principle with 9/16" x 20 LH/RH thread to standard pedals

## **User-maintenance instructions**

Find the general maintenance instructions for KOMPAN products on KOMPAN's homepage:  
[www.kompanmaster.com/kompanmaster](http://www.kompanmaster.com/kompanmaster)