

## Technical Bulletin 20-04

**Issue date:** 15<sup>th</sup> September, 2020

**Subject:** Discontinued Product line

**Part Numbers affected:** Refer table attached

**Detail:** The AC Series XLR 90° right-angle cable connectors has been discontinued due to an issue with the tooling used to produce the 90° shell housing.

**Recommended alternative:** There is no alternative in Amphenol's current product range, however, XLR 90° right-angle cable connectors are readily available from a number of manufacturers in the market.

**Effective date:** 15<sup>th</sup> September, 2020

If you have any questions or concerns please contact us for further information

Thank you

Kind Regards,

**Amphenol Australia Pty Ltd**



**Stephen Richards**

**Sales and Marketing Director**

Email: [srichards@amphenol.com.au](mailto:srichards@amphenol.com.au)

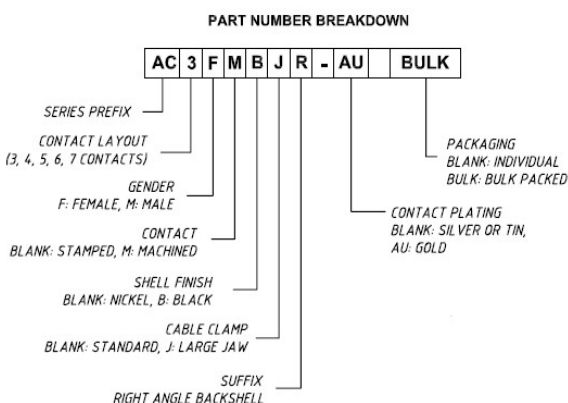
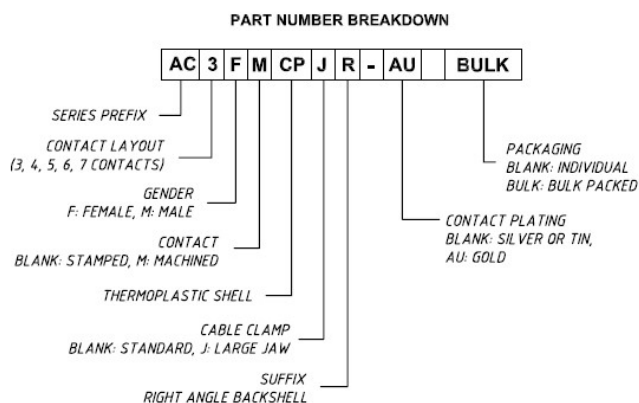
# Technical Bulletin 20-04

## Technical Bulletin 20-04

**Issue date:** 15<sup>th</sup> September, 2020

**Subject:** Discontinued Product line

Discontinued Part# examples	
Refer part number breakdown tables below for all possible combinations	
AC3FR	
AC3MR	
AC3MMR	
AC4FR	
AC4MR	
AC5FR	
AC5MR	
AC6AFR	
AC6AMR	
AC7FR	
AC7MR	



**AMPHENOL AUSTRALIA PTY LTD**  
 22 Industry Blvd,  
 Carrum Downs, Vic 3201 AUSTRALIA  
 Tel: +61 3 8796 8888  
 Fax: +61 3 8796 8801  
 Email: [info@amphenol.com.au](mailto:info@amphenol.com.au)

**AMPHENOL TFC (CHANGZHOU) COMMUNICATION EQUIPMENT CO., LTD.**  
 No 6-2 Jianye Road, Xuejia Town Xinbei District,  
 Changzhou City, Jiangsu, CHINA 213125  
 Tel: +86 -755-8173-8000  
 Fax: +86 -755-8173-8180

Technical Bulletin 20-04