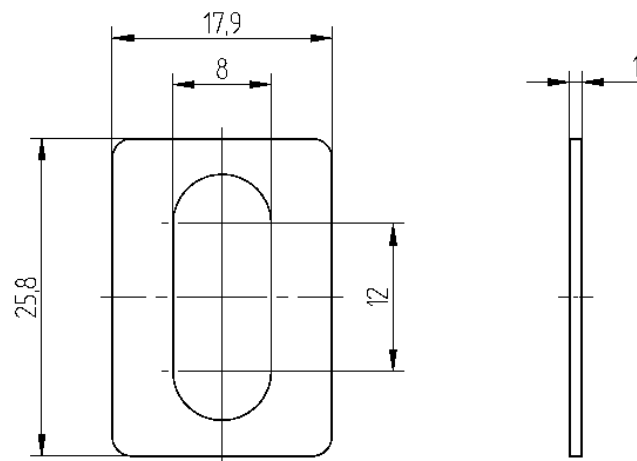


RoHS ✓



The information/details in this datasheet merely contain general descriptions or performance factors which, when applied in an actual situation, do not always correspond with the described form, and may be amended by way of the further development of products. The desired performance factors shall only be binding if these are expressly agreed on conclusion of the contract.



Product description

Description	Flat gasket
Type	GSA 20-3
Order No	731-490-002

Materials

Gasket(s)	NBR, (brown)
-----------	--------------

Resistances

Gasket	Oil HM22 acc. to EN ISO 6743-4 Not ozone-resistant
--------	---

Environmental conditions

Protection class (IEC 60529) *	IP65
Temperature range (gasket)	-30°C to +90°C

* only if mounted and locked in combination with Hirschmann / Lumberg connector.

product overview

Article-No.	Type
731-490-002	GSA 20-3 NBR blassbraun