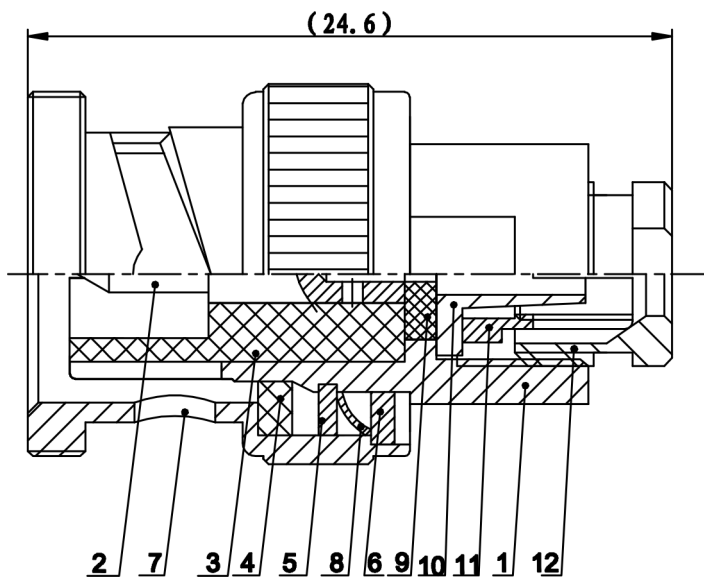


RoHS  
Compliant

## MP007942



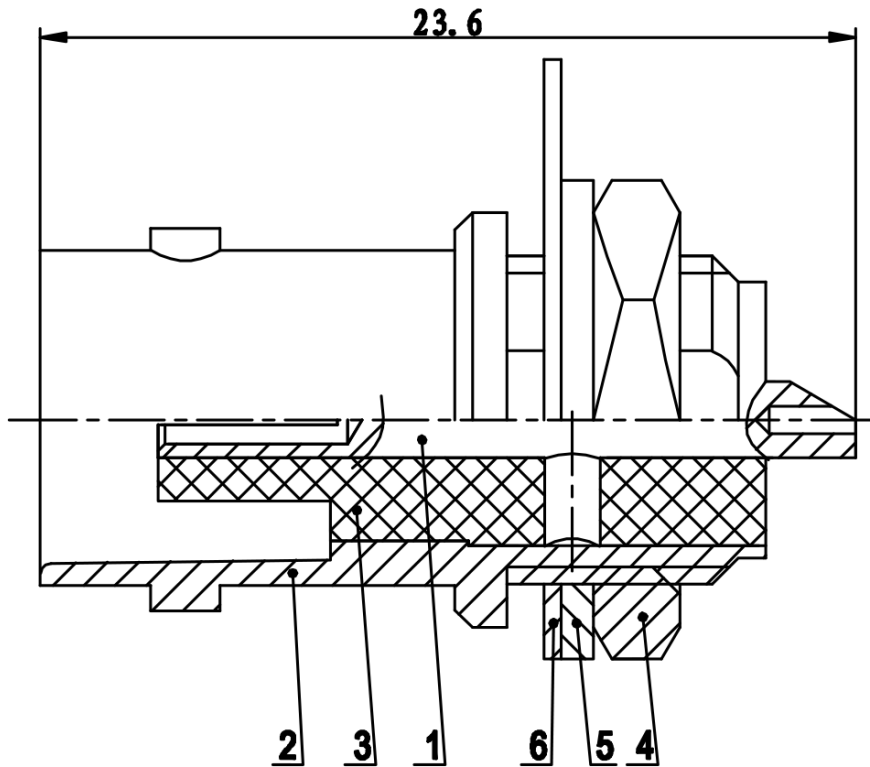
No.	Description	Q'ty	Material	Plating
1	Body	1	Brass	Nickel
2	Center Contact	1	Brass	Gold
3	Insulator	1	Teflon	
4	Gasket	1	Rubber	
5	Gasket	1	Brass	Nickel
6	Gasket		Brass	Nickel
7	Nut	1	Brass	Nickel
8	Spring	1	QBeCu	Nickel
9	Insulator	1	Teflon	
10	Bush		Brass	Nickel
11	Bush		Brass	Nickel
12	Body		Brass	Nickel

The BNC-J3 is a BNC Straight Plug with silver plated brass contact, nickel plated brass body and PTFE Insulated, cable mounting and solder type coaxial termination. This RF/coaxial connector can be used for connecting RG174 cable, RG316, RG179.

### Key performance

1. Characteristic Impedance : 50Ω
2. Frequency range : 0GHz to 4GHz
3. Contact Resistance:
  - Center Conductor : ≤ 1.5.0 mΩ
  - Out Conductor : ≤ 0.2 mΩ
4. Insulation resistance : ≥5000 MΩ
5. Insulator voltage withstanding : 1500V
6. VSWR : ≤1.3
7. Connector durability : 500 cycles

MP007943



No.	Description	Q'ty	Material	Plating
1	Center Contact	1	QSnCu	Gold
2	Body	1	Brass	Nickel
3	Insulator	1	Teflon	
4	Nut	1	Brass	Nickel
5	Gasket	1	Brass	Nickel
6	Gasket	1	Brass	Nickel

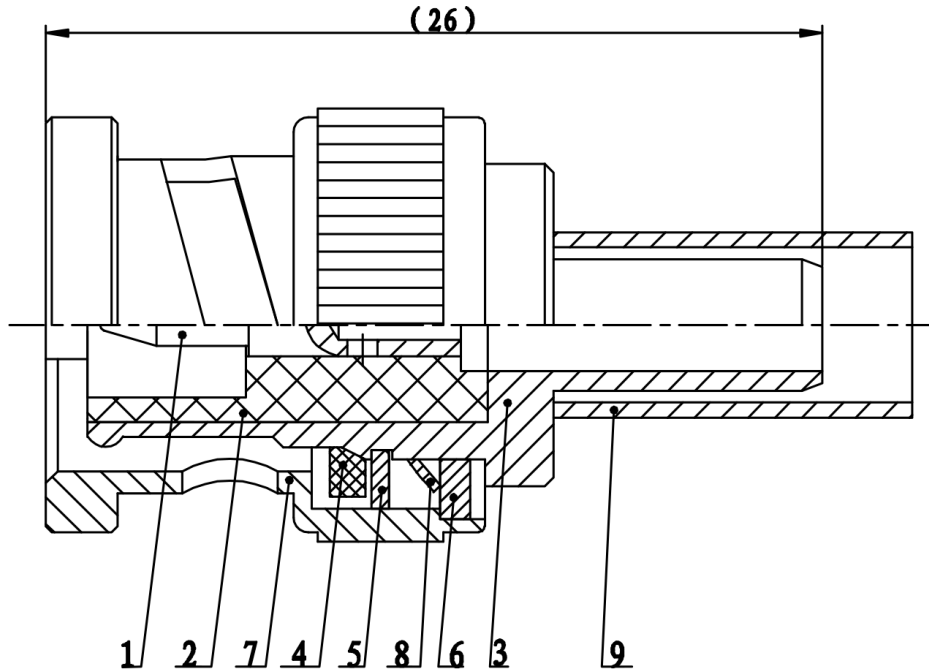
The BNC-KYD 50R is a BNC Straight Bulkhead Socket gold plated beryllium copper contact, nickel plated brass body and PTFE Insulated. This RF/coaxil connector can be mounted on panel and has solder coaxial termination.

### Key performance

1. Characteristic Impedance : 50Ω
2. Frequency Range : 0GHz to 4GHz
3. Contact Resistance:
  - Center Conductor : ≤ 1.5.0 mΩ
  - Out Conductor : ≤ 0.2 mΩ
4. Insulation Resistance : ≥5000 MΩ
5. Insulator voltage withstanding : 1500V
6. VSWR : ≤1.3
7. Connector Durability : 500 cycles

Newark.com/multicomp-pro  
 Farnell.com/multicomp-pro  
 Element14.com/multicomp-pro

MP007944



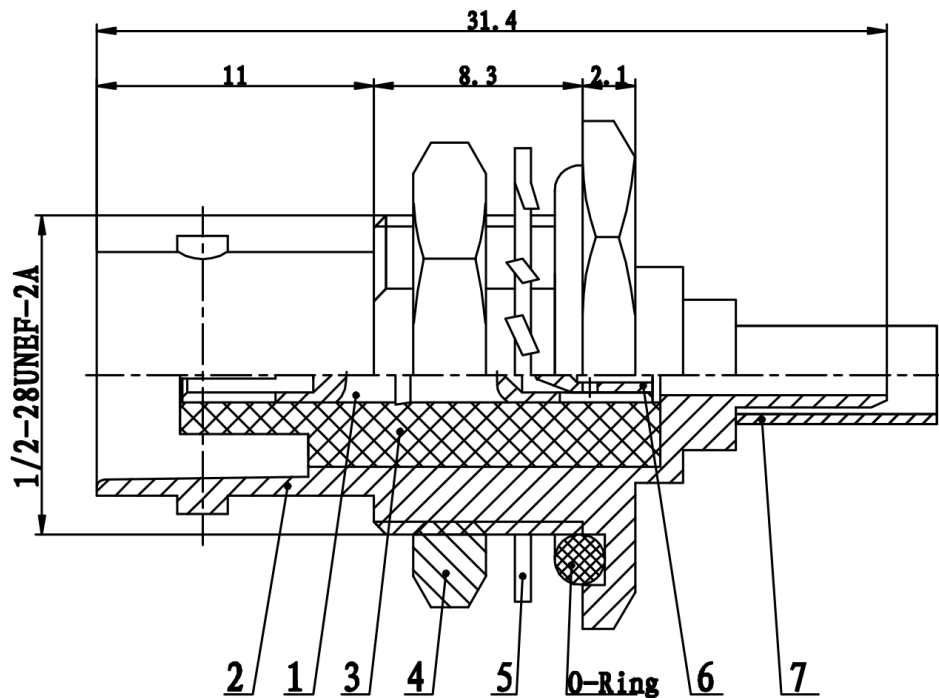
No.	Description	Q'ty	Material	Plating
1	Body	1	Brass	Nickel
2	Center Contact	1	Brass	Gold
3	Insulator	1	Teflon	
4	Gasket	1	Rubber	
5	Gasket	1	Brass	Nickel
6	Gasket		Brass	Nickel
7	Nut	1	Brass	Nickel
8	Spring	1	QBeCu	Nickel
9	Ferrule	1	Brass	Nickel

The BNC-J5Y RG58U is a BNC Straight Plug with Nickel plated Brass contact, nickel plated brass body and PTFE Insulated. Cable mounting and crimp type coaxial termination. This RF/coaxial can be used for connecting Essex 621715, RG58 Cable.

**Key performance**

- 1. Characteristic Impedance : 50Ω
- 2. Frequency Range : 0GHz to 4GHz
- 3. Contact Resistance:
  - Center Conductor : ≤ 1.5.0 mΩ
  - Out Conductor : ≤ 0.2 mΩ
- 4. Insulation Resistance : ≥5000 MΩ
- 5. Insulator voltage withstanding : 1500V
- 6. VSWR : ≤1.3
- 7. Connector Durability : 500 cycles

MP007945



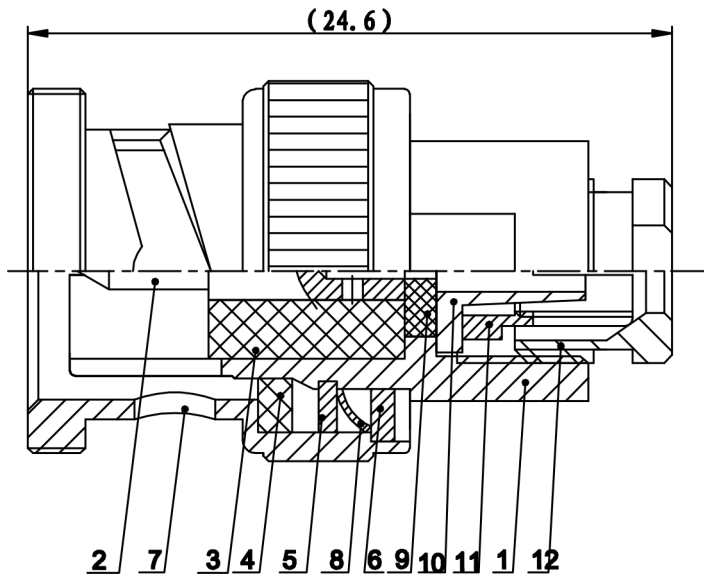
No.	Description	Q'ty	Material	Plating
1	Center Contact	1	Brass	Gold
2	Body	1	Brass	Nickel
3	Insulator	1	Teflon	
4	Nut	1	Brass	Nickel
5	Gasket	1	QSnCu	Nickel
6	Center Contact	1	Brass	Gold
7	Ferrule	1	Brass	Nickel

The BNC-KY3Y RG174U is a crimp BNC Bulkhead Jack for use with RG174 RF coaxial cables. It has nickel-plated brass body with gold-plated beryllium copper centre contact and a PTFE Insulator.

### Key performance

- 1. Characteristic Impedance : 50Ω
- 2. Frequency Range : 0GHz to 4GHz
- 3. Contact Resistance:
  - Center Conductor : ≤ 1.5.0 mΩ
  - Out Conductor : ≤ 0.2 mΩ
- 4. Insulation Resistance : ≥5000 MΩ
- 5. Insulator voltage withstanding : 1500V
- 6. VSWR : ≤1.3
- 7. Connector Durability : 500 cycles

## MP007946



No.	Description	Q'ty	Material	Plating
1	Body	1	Brass	Nickel
2	Center Contact	1	Brass	Gold
3	Insulator	1	Teflon	
4	Gasket	1	Rubber	
5	Gasket	1	Brass	Nickel
6	Gasket		Brass	Nickel
7	Nut	1	Brass	Nickel
8	Spring	1	QBeCu	Nickel
9	Insulator	1	Teflon	
10	Bush		Brass	Nickel
11	Bush		Brass	Nickel
12	Body		Brass	Nickel

The BNC-75J3A RG179 is a BNC Straight Plug with gold plated brass contact, gold plated brass body and PTFE Insulated. cable mounting and clamp type coaxial termination. This RF/coaxial connector can be used for connecting RG179 cable with 2.54mm maximum cable diameter.

### Key performance

- 1. Characteristic Impedance : 75Ω
- 2. Frequency range : 0GHz to 2GHz
- 3. Contact Resistance:
  - Center Conductor : ≤ 1.5.0 mΩ
  - Out Conductor : ≤ 0.2 mΩ
- 4. Insulation resistance : ≥5000 MΩ
- 5. Insulator voltage withstanding : 1500V
- 6. VSWR : ≤1.3
- 7. Connector durability : 500 cycles

### Part Number Table

Description	Part Number
RF Coaxial Connector, Straight Plug, 50Ω	MP007942
RF Coaxial Connector, Straight Jack, 50Ω	MP007943
RF Coaxial Connector, Straight Plug, 50Ω	MP007944
RF Coaxial Connector, Jack, 50Ω	MP007945
RF Coaxial Connector, Straight Plug, 75Ω	MP007946

**Important Notice :** This data sheet and its contents (the "Information") belong to the members of the AVNET group of companies (the "Group") or are licensed to it. No licence is granted for the use of it other than for information purposes in connection with the products to which it relates. No licence of any intellectual property rights is granted. The Information is subject to change without notice and replaces all data sheets previously supplied. The Information supplied is believed to be accurate but the Group assumes no responsibility for its accuracy or completeness, any error in or omission from it or for any use made of it. Users of this data sheet should check for themselves the Information and the suitability of the products for their purpose and not make any assumptions based on information included or omitted. Liability for loss or damage resulting from any reliance on the Information or use of it (including liability resulting from negligence or where the Group was aware of the possibility of such loss or damage arising) is excluded. This will not operate to limit or restrict the Group's liability for death or personal injury resulting from its negligence. Multicomp Pro is the registered trademark of Premier Farnell Limited 2019.