

## Hydraulic compact jack

With hollow piston cylinder

Simson

### Application:

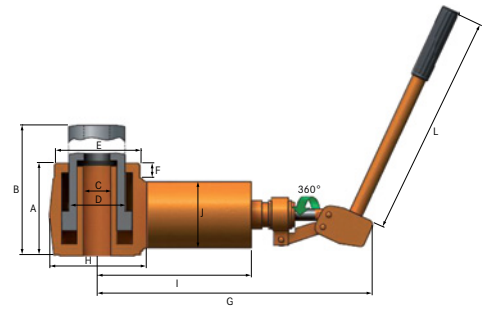
For industrial use such as for lifting, pressing and pulling.

### Execution:

- Without spring return mechanism.
- The hollow piston cylinder is made of hardened, high-strength, corrosion-resistant steel and features a blind hole thread for attaching tools or mountings.
- Can be used in any position
- Hand lever support on pump system can be pivoted 360°.
- Die-forged, hardened and roller-polished.
- Low overall height.

### Delivery:

1x hydraulic compact jack model 1030H 100 kN, hollow piston cylinder.



<b>Art. no.</b>	<b>29764 025</b>
<b>Brand</b>	SIMSON
<b>Manufacturer Part Number</b>	12-165
<b>Model</b>	2325H
<b>Compressive force</b>	225 kN
<b>Lift height</b>	25 mm
<b>Diameter</b>	40 mm
<b>Diameter 2</b>	24.5 mm
<b>Length of lever</b>	244 mm
<b>Construction height, retracted</b>	79 mm
<b>Cylinder male thread on semi ram</b>	M90 x 3
<b>Cylinder diameter on housing</b>	98 mm
<b>Manual lever length, long</b>	262 mm
<b>Max. required leverage</b>	240 N
<b>Gross Weight</b>	5.816 kg
<b>Product Group</b>	278