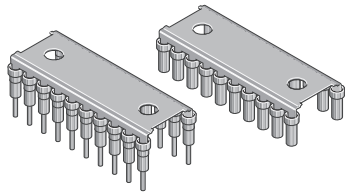


METALLIC CARRIER
ID: 074

MC-Metal - Carrier DIL

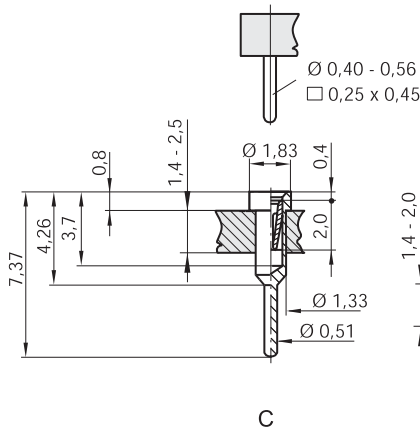
Series 250



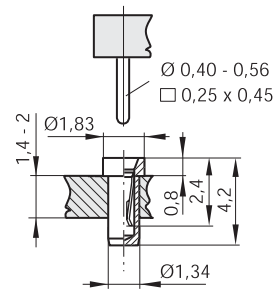
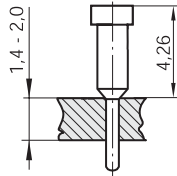
TECHNICAL DATA

Pitch	2,54 mm
Carrier Material	Brass
Contact Material	Brass/BeCu
Rated Current	3 Amp.
Rated Voltage	100 V _{RMS} /150 V _{DC}
Breakdown Voltage	min. 7 00 V _{RMS}
Operating Temperature	-55°C bis +125°C
Maximum Soldering Temperature	260°C for 10 seconds

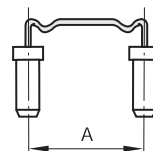
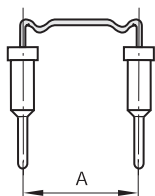
5 | 2,54 mm



C



SC



Code	Poles	A
06.3	6	7,62
08.3	8	7,62
14.3	14	7,62
16.3	16	7,62
18.3	18	7,62
20.3	20	7,62
24.6	24	15,20
28.6	28	15,20
32.6	32	15,20
36.6	36	15,20
40.6	40	15,20

All dimensions in mm.
Other dimensions upon request.

MC XX.Y XXX U

Code: see table

Version: STG C = with C-contact, sleeve: Sn / clip: Au
 STG SC = with SC contact, sleeve: Sn / clip: Au
 STG C 8 = with C-contact, sleeve: Sn / clip: 0,75µm Au
 STG SC 8 = with SC-contact, sleeve: Sn / clip: 0,75µm Au
 SGG C = with C-contact, sleeve: Au / clip: Au
 SGG SC = with SC-contact, sleeve: Au / clip: Au

U: RoHS-compliant with high temp. plastic