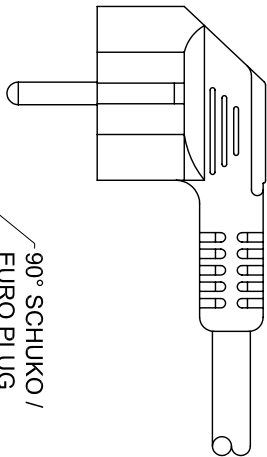
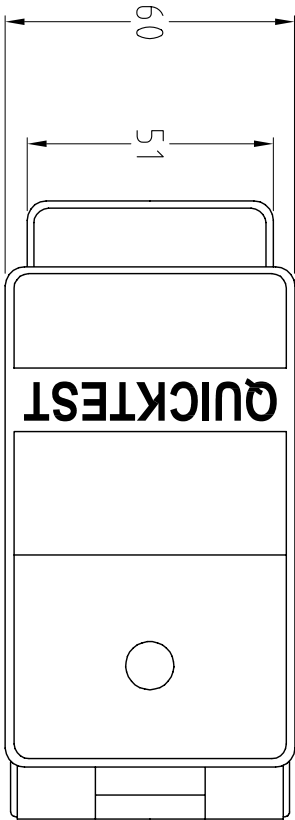


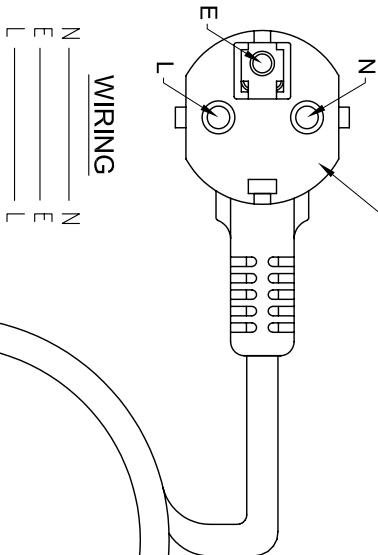
NOTE:

A) PACK IN POLY BAG WITH LEAFLET.

B) FIT 5A FUSE.

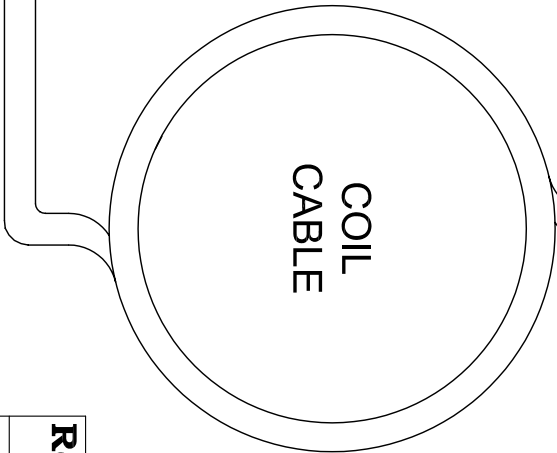
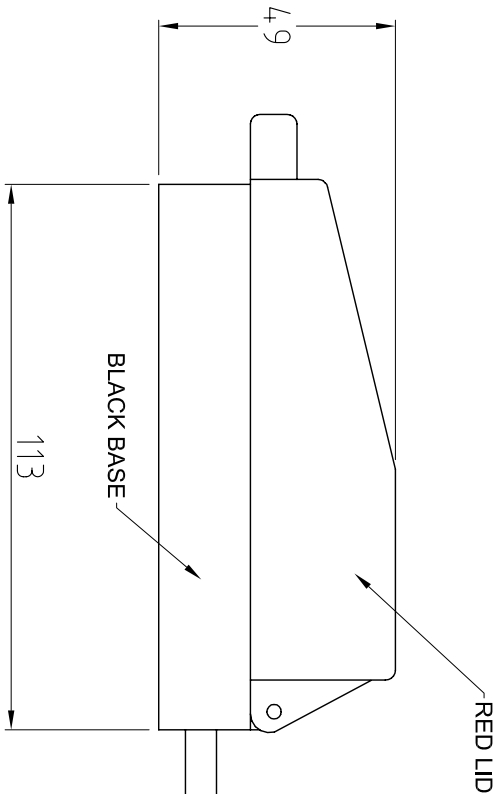


90° SCHUKO /
EURO PLUG



WIRING

N
E
L
N
E
L



COIL
CABLE

CABLE - BLACK
3x0.75mm² L=1.5m

RoHS
COMPLIANT

TOLERANCE

NO DEC. PLACE ±

1 DEC. PLACE ±

2 DEC. PLACE ±

HOLE Ø ±

ANGLES ±

UNLESS

OTHERWISE STATED

Cliff Electronic Components Ltd.

76 Holmehorpe Avenue, Holmehorpe Industrial Estate,

Redhill, Surrey, RH1 2PF, England, UK

Tel: 01737-771375 Fax: 01737-766012 Website: www.cliffuk.co.uk

THE CONTENTS OF THIS DOCUMENT MUST NOT BE COPIED OR DISCLOSED
TO A 3rd PARTY WITHOUT WRITTEN PERMISSION OF CLIFF UK. © 2010

DIMENSIONS IN MILLIMETERS UNLESS OTHERWISE STATED. WORK TO DIMENSIONS. REMOVE ALL BURRS. IF IN DOUBT ASK.

3rd ANGLE PROJECTION:



DO NOT SCALE

MATERIAL: COMPOSITE

FINISH: AS SUPPLIED / MOULDED

TITLE: EURO QUICKTEST QT1 ASSY 1.5m

DRAWN: T.J.O.

APPROVED: D.P.J.

DRWG. No.

CL1860

FORM: A4DRWGH