

REVISION RECORD

REV	ECN	DESCRIPTION	DRFT	DATE
-----	-----	-------------	------	------

NOTES1:

UL Standard

- 1.Rated Voltage/Current : 300V / 8A
- 2.Withstanding Voltage : AC1600V/1Min.
- 3.Wire Range : 28~16AWG

IEC Standard

1. Pollution Degree	3
Overtoltage Category	II
Rate Impulse Voltage(KV)	2.5KV
Rate Voltage(V)	250V
Rate Current(A)	12A

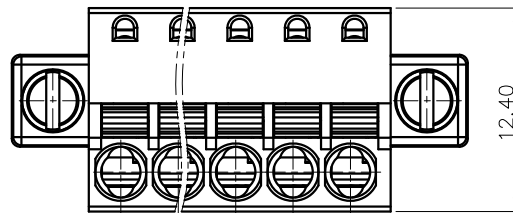
2.Wire Range : 0.2~1.5mm²

NOTES2:

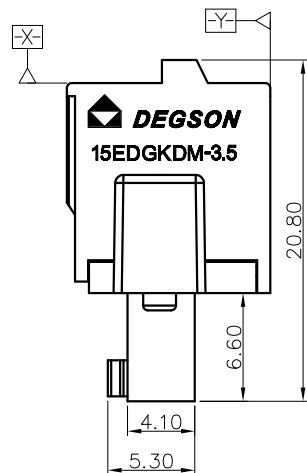
- 1.Dimension shall be interpreted per ASME Y14.5-2009
- 2.Pitch : 3.50/3.81mm, Poles : N=2-20P
- 3.Stripping length : 9mm
- 4.Operating temperature: -40°C~+105°C
- 5.Undimensioned Tolerances:

Pitch range in mm		Nominal dimension range in mm				-	-	∇
TO	Over	TO	Over	TO	Over	TO	Over	TO
6	10	10	24	30	60	100	150	0.1/10
±0.15	±0.20	±0.30	±0.30	±0.50	±0.70	±1.00	±1.30	±2'

6.RoHS Compliance



12.40

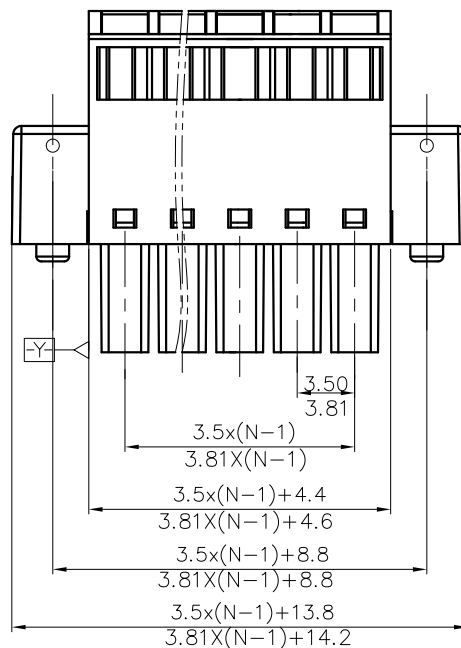


20.80

6.60

4.10

5.30



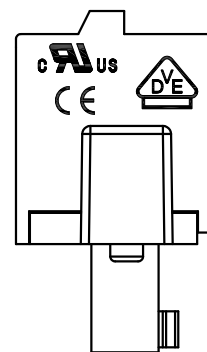
3.50
3.81

3.5x(N-1)
3.81x(N-1)

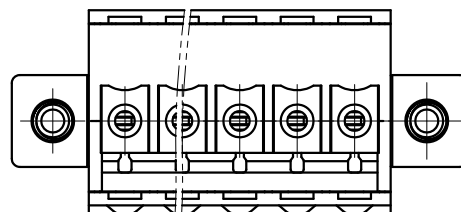
3.5x(N-1)+4.4
3.81x(N-1)+4.6

3.5x(N-1)+8.8
3.81x(N-1)+8.8

3.5x(N-1)+13.8
3.81x(N-1)+14.2



15EDGKDM - 3.5/3.81 - XXP - 1Y - 00A (H)
 (Series No.) (Pitch) (Poles) (Single Pitch) (Color):1.(Grey)
 2.(Blue)
 3.(Black)
 4.(Green)
 5.(Orange)
 6.(Red)
 7.(Transparent)
 8.(Yellow)
 9.(White)



DETACHED LISTS	PART NO.:	/			
	APPD:	/			
	CHKD:	/			
	DRFT:	/			
		<p>THIRD ANGLE PROJECTION</p>		<p>DO NOT SCALE DRAWING</p>	
		DRAWING NO.:		REV	DO
		/		SHEET	1/1
		MM (INCH)		SCALE	1:1

宁波高松电子有限公司
DEGSON NINGBO DEGSON ELECTRICAL CO., LTD

NAME: 15EDGKDM-3.5/3.81-XXP-1Y-00A(H)

TITLE: CUSTOMER DRAWING

REV: / DO: /

DRAWING NO.:

SHEET: 1/1

MM (INCH)

SCALE: 1:1