

Data Sheet

TECHNICAL SPECIFICATIONS

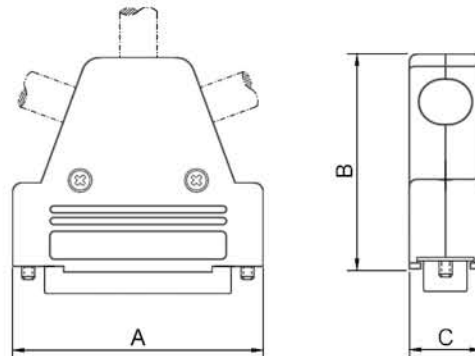
D-Sub Hood:

- Material:** UL 94 V-0 Plastic Material
- Operating Temperature:** -55°C to +110°C
- Cable Entry:** Side / Top / Side
- Thumbscrews:** UNC 4-40 (Standard)
- Cable O.D:** Up to 11,5mm
- Colour:** Black



Male D-Sub Solder Cup:

- Insulator:** PBT, Black, UL94 V-0
- Shell:** Steel, Tin Plated
- Contact pins:** Copper Alloy
- Stamped & Formed Pins:** Class 3, 100 inserts min.
- Machined Contact Pins:** Class 1, 500 inserts min.
- Contact Plating:** Selective Gold over Nickel
- Operating Temperature:** -55°C to +105°C
- Withstanding voltage:** 1000V for 1 minute
- Insulator resistance:** 1000MΩ min.



Size TRI-P	Dim A	Dim B	Dim C
9-way	31,0	45,2	15,0
15-way	40,3	45,2	15,0
25-way	53,5	45,2	15,0
37-way	70,0	45,2	15,0