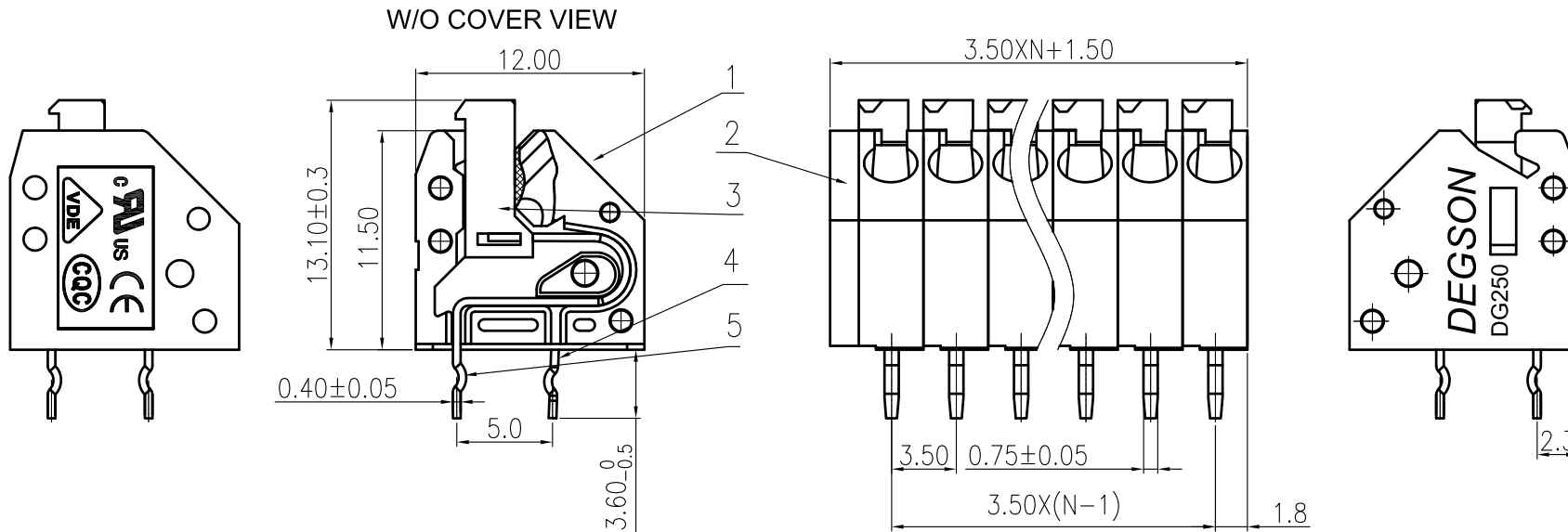
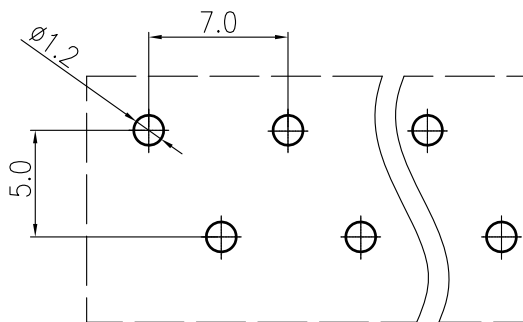


REVISION RECORD				
REV	ECN	DESCRIPTION	DRFT	DATE



NOTES:

- 1.DIMENSION SHALL BE INTERPRETED PER ASME Y14.5-2009.
- 2.PITCH: 3.5MM ,POLES: XXP
- 3.RATED VOLTAGE/CURRENT:UL 300V/7A
VDE 450V/5A
- 4.OPERATION TEMPERATURES: -40°C~+105°C
- 5.WITHSTANDING VOLTAGE: AC2500/1MIN
- 6.INSULATION RESISTANCE: 5000M Ω/DC1000V
- 7.WIRE RANGE: 22~18AWG,0.5MM²~0.75MM²
- 8.UNDIMENSIONED TOLERANCES:



Pitch range in mm		Nominal dimension range in mm						
to 6	over 6 to 10	to 30	over 30 to 60	over 60 to 100	over 100 to 150	over 150	∩	
±0.10	±0.15	±0.25	±0.2	±0.3	±0.5	±0.7	±1.0	0.05/10

2	DG250-3.5 Cover	3018C0Y01A(H)	1	PA66	UL94V-0
1	DG250-3.5-Housing	3018A0Y01C(H)	XX	PA66	UL94V-0
ITEM	NAME OF PART	NO. OF PART	Q"TY	MATERIAL	NOTES

DETACHED LISTS	MM (INCH)		MATERIAL:		DEGSON®					
	TOLERANCES EXCEPT AS NOTED		FINISH:							
	.X ±	.X' ±	PART NO.:		NAME:					
	.XX ±	.XX' ±	APPD:		TITLE: ASSEMBLY DRAWING					
.XXX ±	.XXX' ±	CHKD:					REV	T1		
ANGLES ± 1°		DRFT: Haoyh. 06/27/05"		DRAWING NO.: DG250-3.5-E134		DO NOT SCALE DRAWING	SCALE	N/A	SHEET	1/1
THIRD ANGLE PROJECTION										

5	DG250-3.5 big Pin header	3018B00090(H)	(xx-1)/xx/2	Phosphor bronze	Sn plated
4	DG250-3.5 small Pin header	3018B00100(H)	(xx-1)/xx/2	Phosphor bronze	Sn plated
3	DG250-3.5 Button	3018D0Y01D(H)	XX	PA66	UL94V-0