

**Sura Magnets AB**  
 Hamragatan 2  
 S-614 31 Söderköping  
 Sverige/Sweden

Telefon +46 (0) 121 353 10  
 Fax +46 (0) 121 353 15  
 E-mail [info@suramagnets.se](mailto:info@suramagnets.se)  
 Internet [www.suramagnets.se](http://www.suramagnets.se)

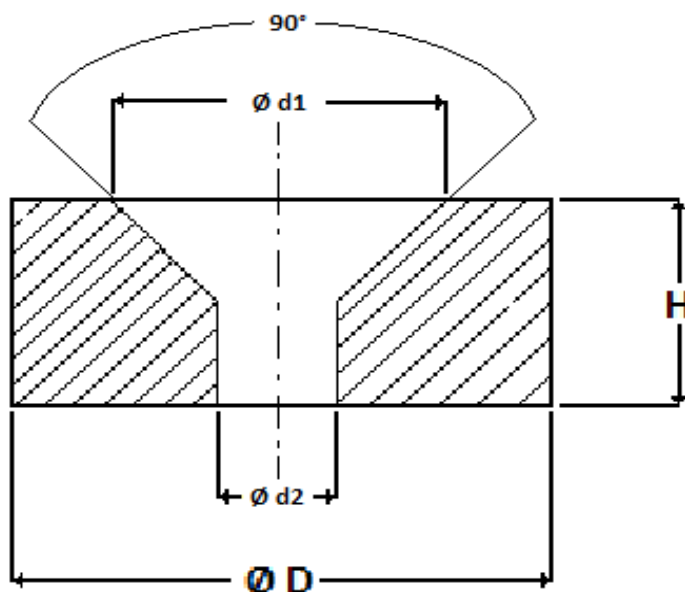


# Partnumber: NA35-9-015-1

Material : Neodym 35

Dimensions	D	H	d1	d2	kraft
	15 mm	4 mm	10,7 mm	5,3 mm	40 N

Magnetisation: Axially magnetized



Grade	Remanence ( T )		Coercivity BHc ( kA/m )		Coercivity Ihc ( kA/m )	Energi product BH max ( kJ/m3 )		Max Work temp
	Min	Typ	Min	Typ		Min	Typ	
N35	1,17	1,21	860	915,4	>=955	262,7	278,6	<=80°