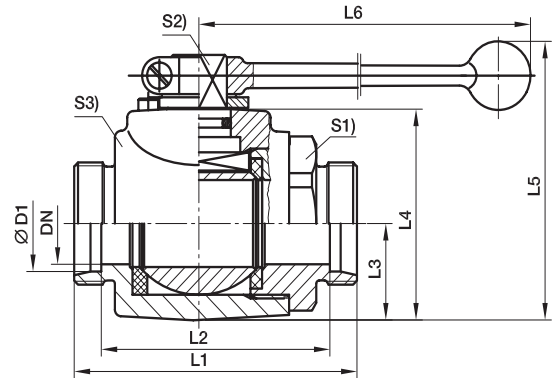
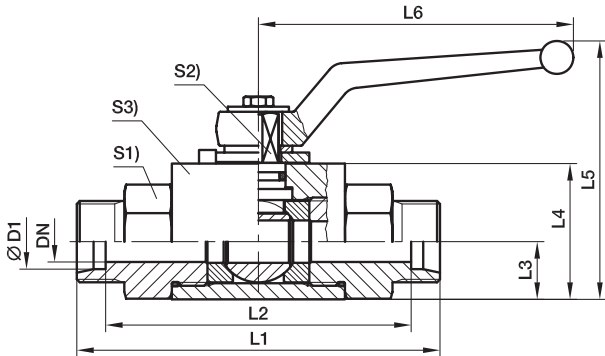
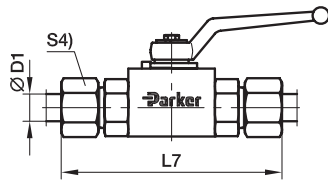


## KH 2-way ball valve steel

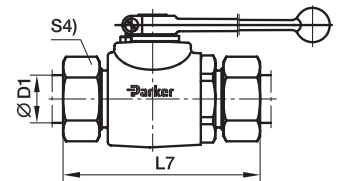
EO 24° cone end / EO 24° cone end



DN 4-25



DN 32-40



Series	D1 	DN	L1	L2	L3	L4	L5	L6	L7	S1	S2	S3	S4	Weight g/1 piece	Order code*	PN (bar) <sup>1)</sup>
L <sup>3)</sup>	06	4	67	53	10.0	25	55.0	76	82	19	7	20	14	195	<b>KH06LX</b>	500
	08	6	67	53	10.0	25	55.0	76	82	19	7	20	17	190	<b>KH08LX</b>	500
	10	8	75	61	14.5	35	68.0	100	90	24	8	30	19	420	<b>KH10LX</b>	500
	12	10	75	61	14.5	35	68.0	100	90	24	8	30	22	410	<b>KH12LX</b>	500
	15	12	83	69	17.0	40	92.0	112	99	30	10	35	27	631	<b>KH15LX</b>	500
	18	16	82	67	20.0	45	105.0	166	99	36	11	45	32	850	<b>KH18LX</b>	400
	22	20	99	84	24.0	55	113.0	187	116	41	14	45	36	1210	<b>KH22LX</b>	400
	28	25	108	93	26.0	60	118.0	187	126	50	14	55	41	1750	<b>KH28LX</b>	400
	35	25	116	95	26.0	60	118.0	187	138	50	14	55	50	1820	<b>KH35LXDN25</b>	400
	35	32	121	100	36.5	80	180.5	320	143	60	17	73	50	3158	<b>KH35LX</b>	315
S <sup>4)</sup>	42	25	121	99	26.0	60	118.0	187	144	55	14	55	60	1940	<b>KH42LXDN25</b>	400
	42	40	118	96	42.5	90	190.5	320	141	70	17	85	60	3788	<b>KH42LX</b>	315
	08	4	73	59	10.0	25	55.0	76	88	19	7	20	19	214	<b>KH08SX</b>	500
	10	6	73	58	10.0	25	55.0	76	90	19	7	20	22	220	<b>KH10SX</b>	500
	12	8	77	62	14.5	35	68.0	100	94	24	8	30	24	430	<b>KH12SX</b>	500
	14	10	81	65	14.5	35	68.0	100	100	24	8	30	27	440	<b>KH14SX</b>	500
	16	12	87	70	17.0	40	92.0	112	106	30	10	35	30	649	<b>KH16SX</b>	500
	20	16	90	69	20.0	45	105.0	166	112	36	11	45	36	900	<b>KH20SX</b>	400
	25	20	107	83	24.0	55	113.0	187	131	41	14	45	46	1290	<b>KH25SX</b>	400
	30	25	120	93	26.0	60	118.0	187	146	50	14	55	50	1880	<b>KH30SX</b>	400
38	25	134	102	26.0	60	118.0	187	163	55	14	55	60	1950	<b>KH38SXDN25</b>	400	
38	32	127	95	36.5	80	180.5	320	156	60	17	73	60	3266	<b>KH38SX</b>	315	

<sup>1)</sup> Pressure shown = item deliverable

<sup>3)</sup> L = light series; <sup>4)</sup> S = heavy series

$$\frac{PN \text{ (bar)}}{10} = PN \text{ (MPa)}$$

Delivery without nut and ring. Information on ordering complete fittings or alternative sealing materials see page 17.

Order code suffixes			
Material	Suffix surface and material	Example	Standard sealing material (no additional suffix needed)
Steel, zinc plated, Cr(VI)-free	CF	KH06LCFX	POM / NBR
Steel	DIN 50938-FE//A/T4	KH06LX	POM / NBR