

## 插入型絕緣/金屬軸式編碼規則

**RV 09 A X F - 40 E1 - 20 F X - B 5K - X X XXX**  
**1 2 3 4 5 6 7 8 9 10 11 12 13 14 15**

### 1. Product Line

RV Rotary Potentiometer

### 2. Model

### 3. Structure Difference

### 4. Derivatives

### 5. RoHS Version

F indicates RoHS Compliance

### 6. Type of Terminal

Code	Type of Terminal
10	Solder lug
20	PC board (horizontal)
30	PC board (vertical);front
40	PC board (vertical);back

### 7. Type of Bushing

### 8. Shaft Length

### 9. Type of Shaft

### 10. Axis Angle of F-type Shaft

### 11. Pattern of Resistance Curve

### 12. Resistance Value

### 13. Materials & Methods for Manufacturing Shaft & Bushing

### 14. Number of Click

Code	Specification
0	None
C	Center Click
D	11 Positions click
E	21 Positions click
F	41 Positions click

### 15. Serial No.

#### 訂單指定事項：

開立訂單時，用途請依下表記載予以指定製品之規格詳細記載並確認之。

#### 項目：

1. 型號。
2. 公稱阻值及線性要求。
3. 軸型及長度。
4. 端子型式。
5. 段點的有無。
6. 中間抽頭的有無。
7. 音量用或其他。
8. 手焊錫或錫爐焊錫。


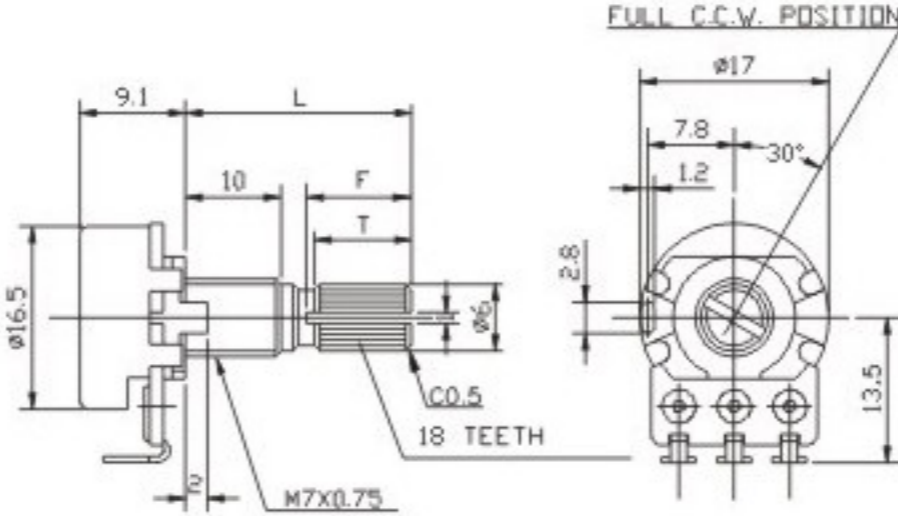


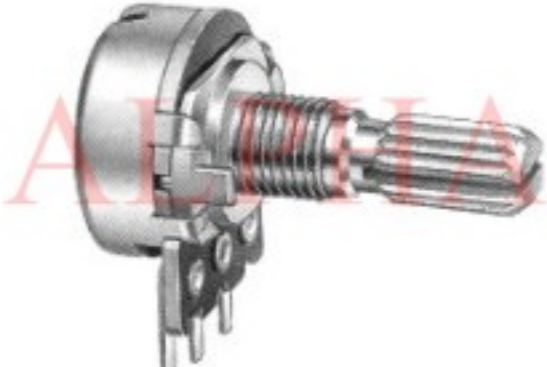
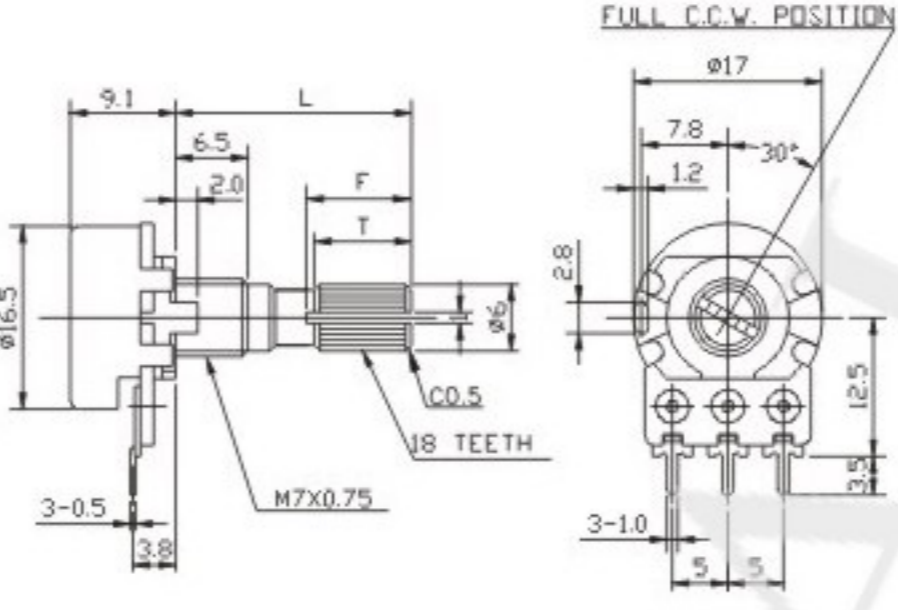

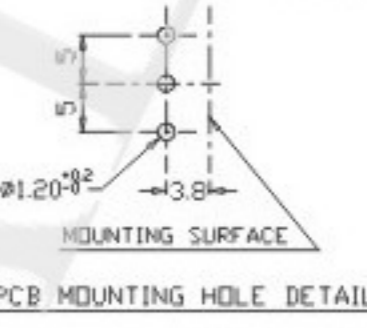
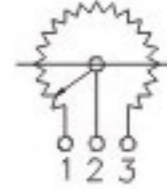
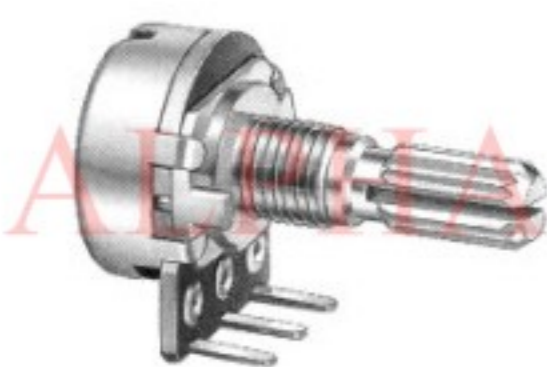
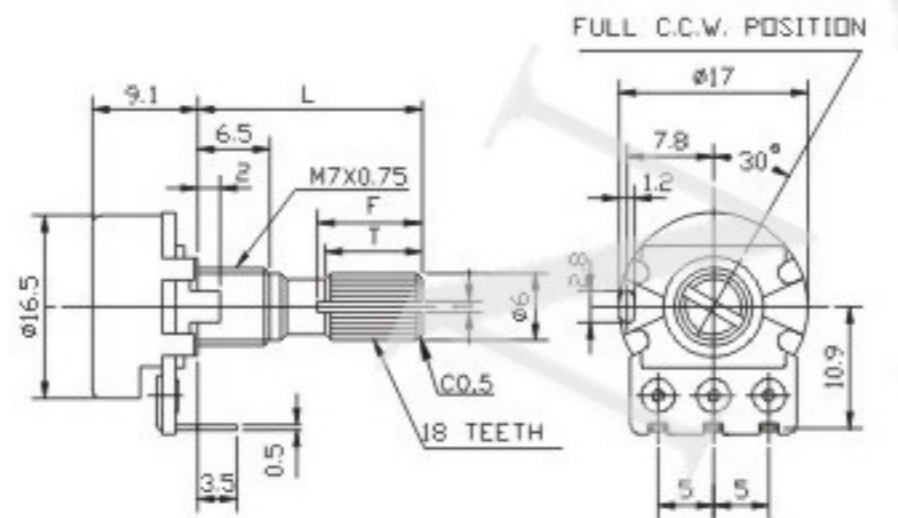

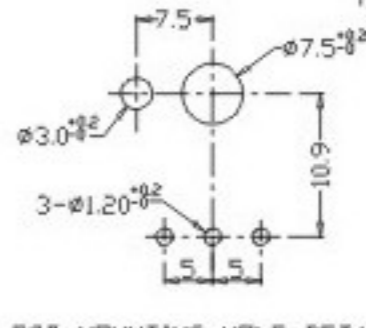
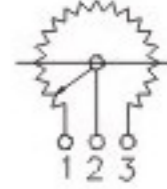
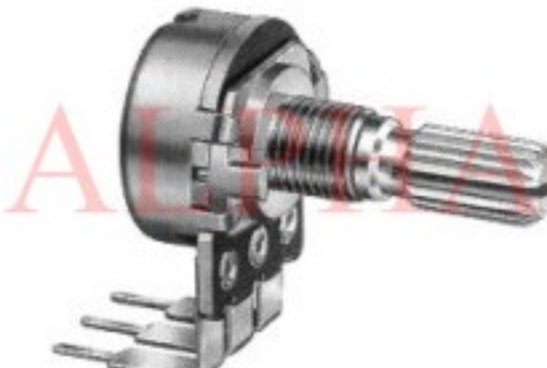
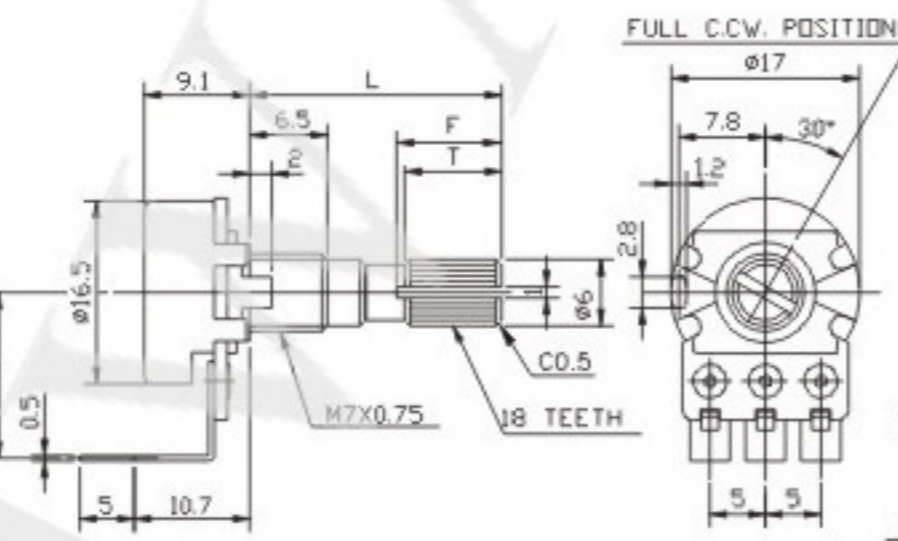

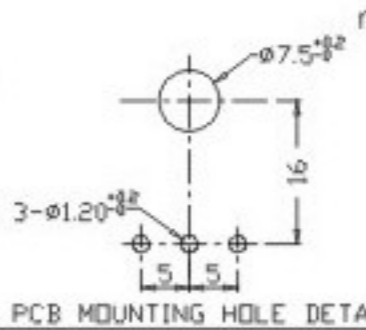
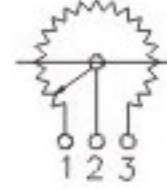

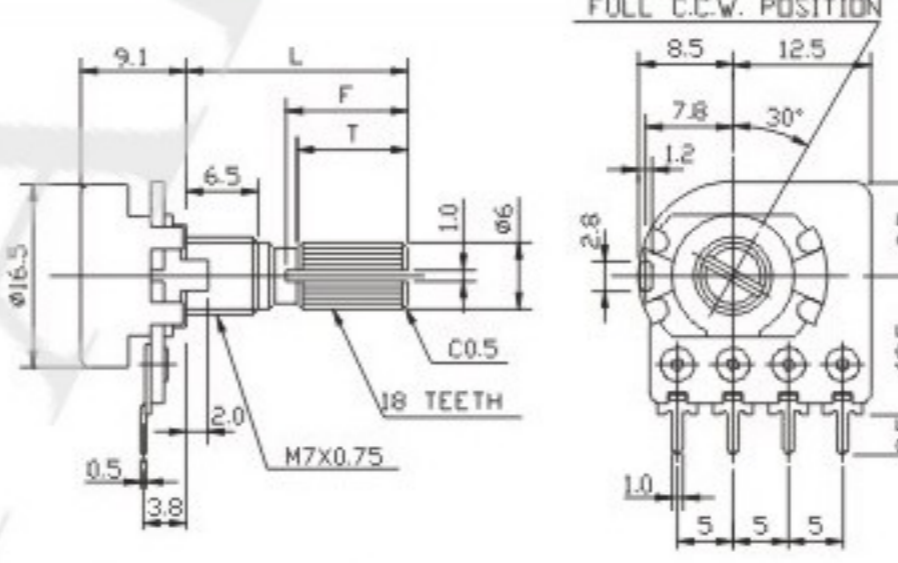

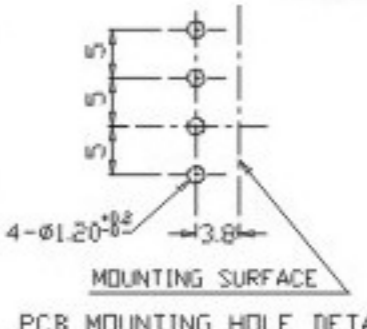
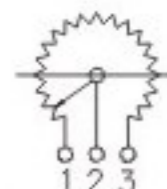
#### ORDERING INSTRUCTIONS

WHEN PLACING YOUR ORDER, PLEASE SPECIFY THE FOLLOWING ITEMS ACCORDING TO YOUR APPLICATION NEEDS. FOR MORE INFORMATION ABOUT OUR PRODUCTS, PLEASE REFER TO THE SPECIFICATION GIVEN ON THE FOLLOWING PAGES.

#### ITEMS :

1. MODEL.
2. NORMAL RESISTANCE VALUE AND TAPER.
3. SHAFT STYLE AND LENGTH.
4. TERMINAL STYLE.
5. WITH CLICK OR WITHOUT CLICK, CLICK POSITION
6. WITH TAP OR WITHOUT TAP, TAP POSITION.
7. FOR VOLUME CONTROL OR OTHER USE.
8. MANUAL SOLDERING OR DIP SOLDERING.


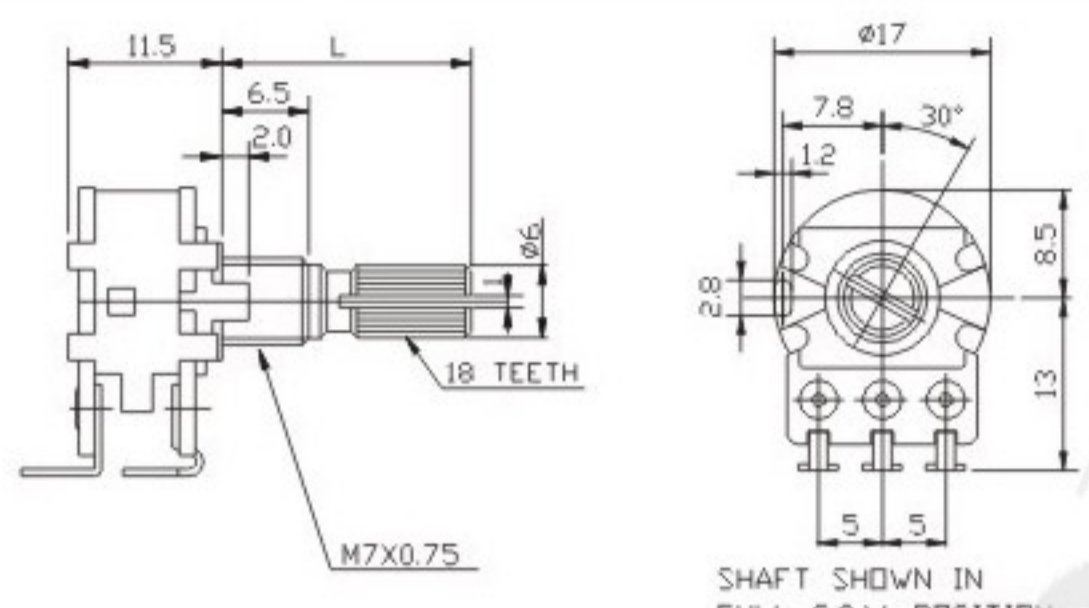
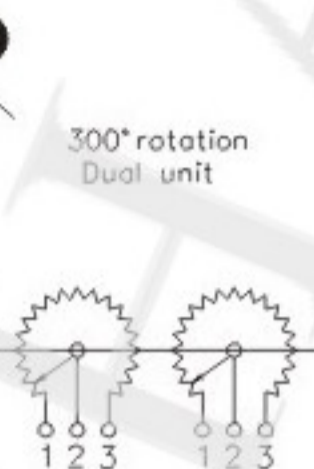

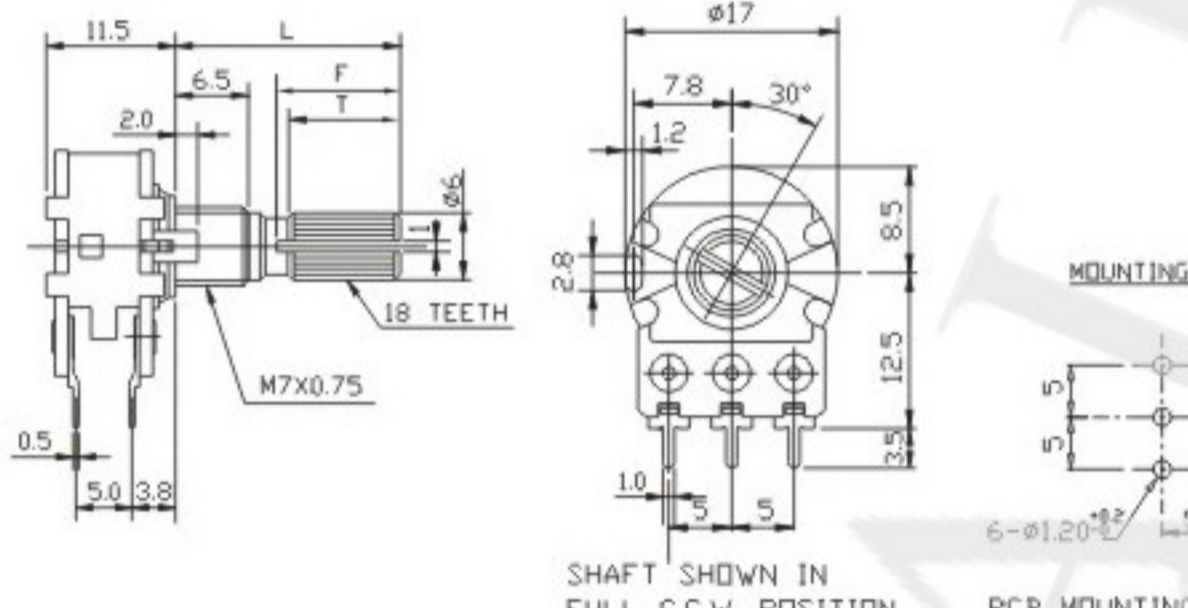
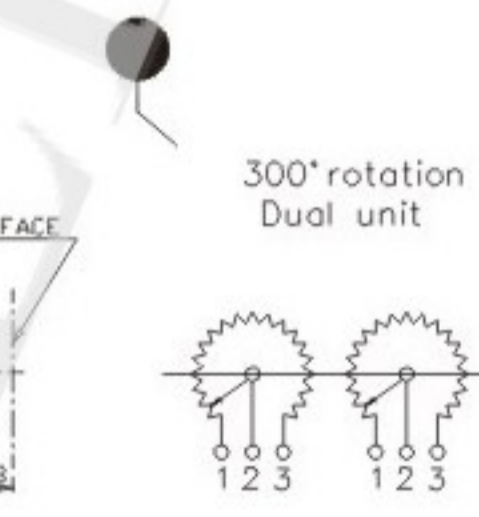
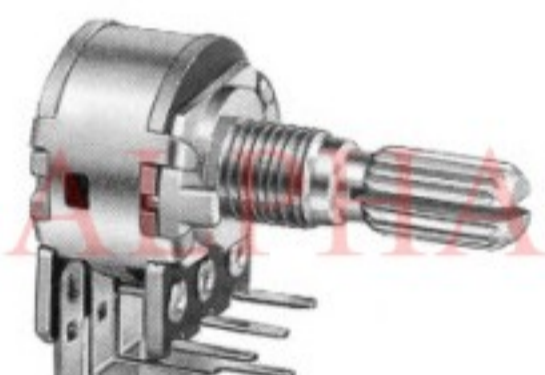
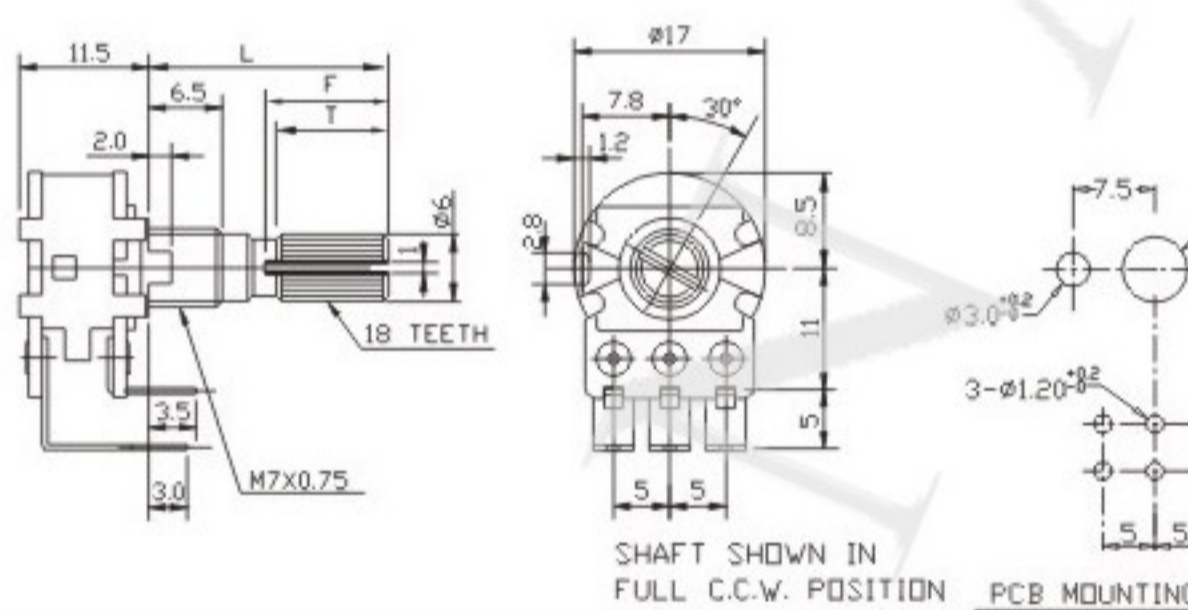
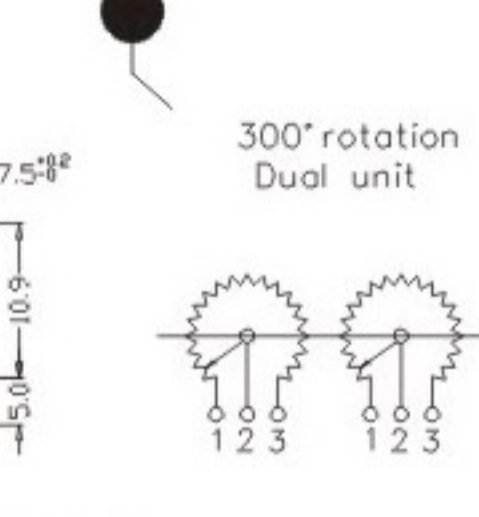

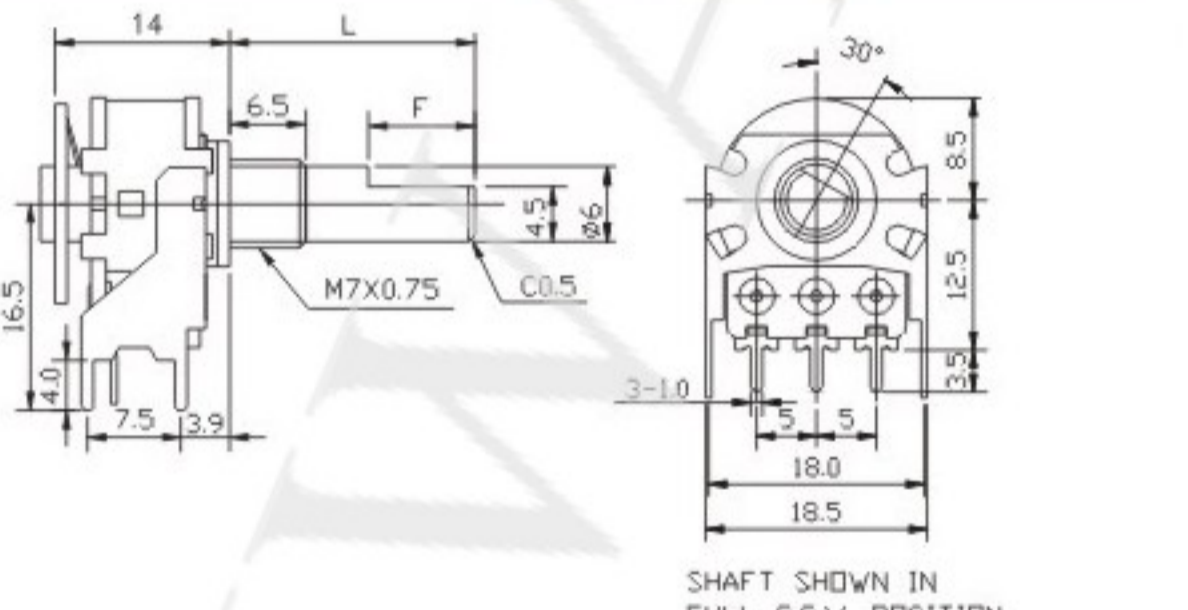
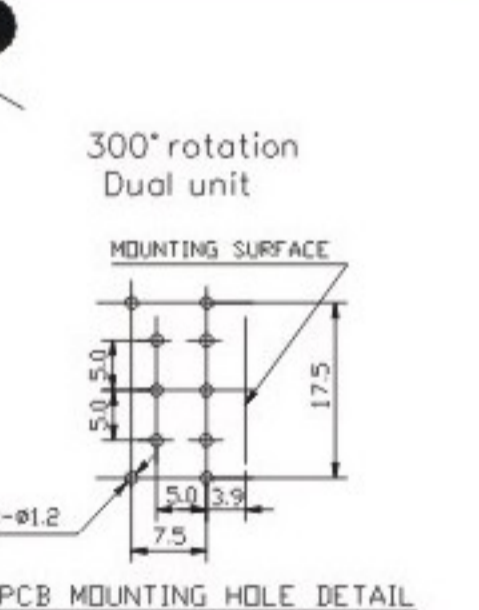

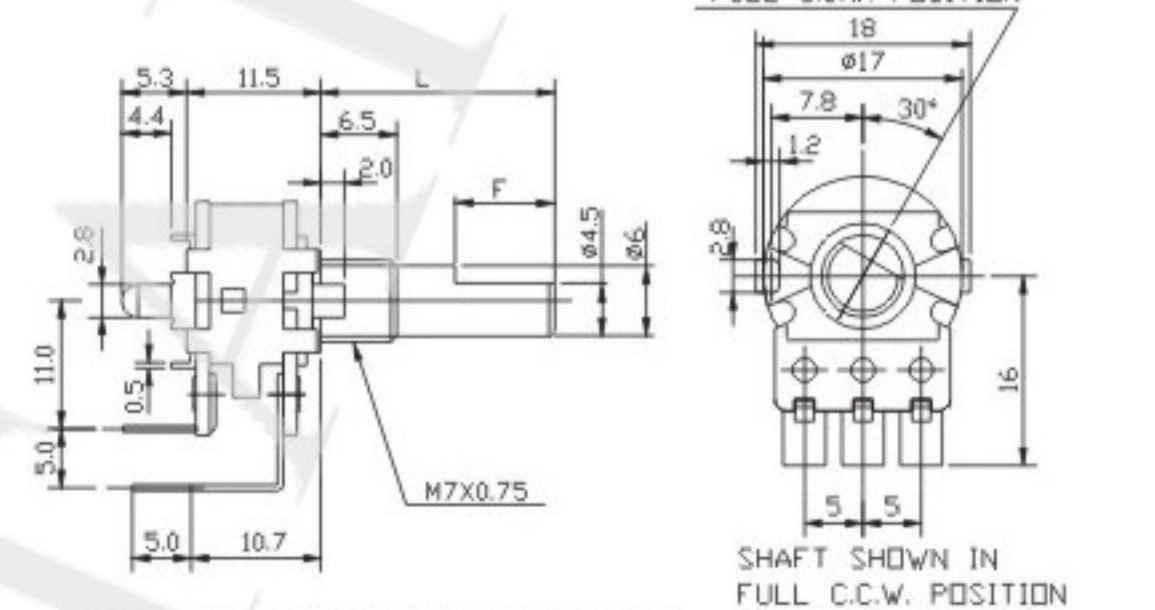
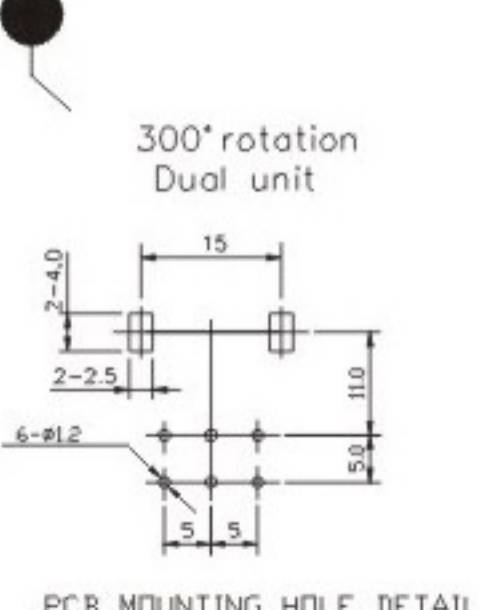
# 16mm METAL SHAFT SERIES

Model	Outline Drawing	Features / Individual Specification
<b>RV16AF-10B6</b> 		 300° rotation mono unit 
<b>RV16AF-20</b> 		 300° rotation mono unit  MOUNTING SURFACE PCB MOUNTING HOLE DETAIL 
<b>RV16AF-30</b> 		 300° rotation mono unit  PCB MOUNTING HOLE DETAIL 
<b>RV16AF-41</b> 		 300° rotation mono unit  PCB MOUNTING HOLE DETAIL 
<b>RV16ARF-20</b> 		 300° rotation mono unit  MOUNTING SURFACE PCB MOUNTING HOLE DETAIL 

Dual Gang (RV16AR1F) is also available

For Shaft & Bushing Dimension please refer to page(74)  
 For PCB Mounting Hole Detail please refer to page(50)

**Features / Individual Specification**

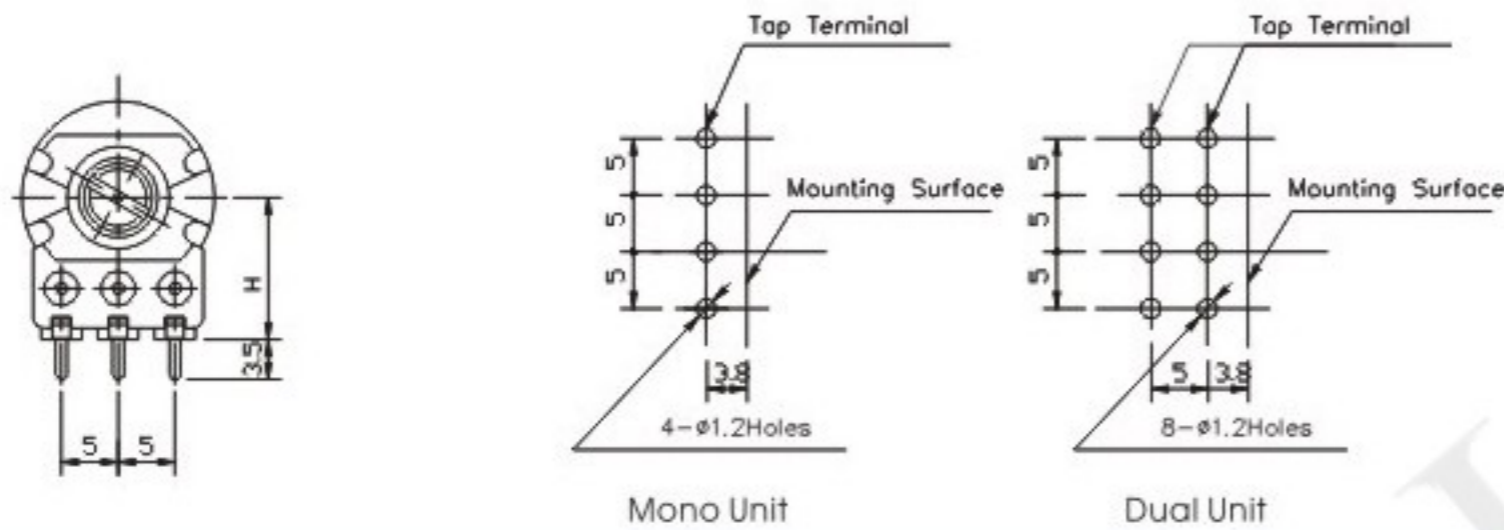
Model	Outline Drawing	Features / Individual Specification
<p><b>RV16A01F-10</b></p> 	 <p>SHAFT SHOWN IN FULL C.C.W. POSITION</p>	 <p>300° rotation Dual unit</p>
<p><b>RV16A01F-20</b></p> 	 <p>SHAFT SHOWN IN FULL C.C.W. POSITION</p> <p>PCB MOUNTING HOLE DETAIL</p>	 <p>300° rotation Dual unit</p>
<p><b>RV16A01F-30</b></p> 	 <p>SHAFT SHOWN IN FULL C.C.W. POSITION</p> <p>PCB MOUNTING HOLE DETAIL</p>	 <p>300° rotation Dual unit</p>
<p><b>RV16AE1F-20B2</b></p> 	 <p>SHAFT SHOWN IN FULL C.C.W. POSITION</p> <p>PCB MOUNTING HOLE DETAIL</p>	 <p>300° rotation Dual unit</p>
<p><b>RV16AD1F-41</b></p> 	 <p>SHAFT SHOWN IN FULL C.C.W. POSITION</p> <p>Mono gang (RV16AD0F) is also available</p> <p>PCB MOUNTING HOLE DETAIL</p>	 <p>300° rotation Dual unit</p>

For Shaft & Bushing Dimension please refer to page(74)  
For PCB Mounting Hole Detail please refer to page(50)

# 16mm METAL SHAFT SERIES

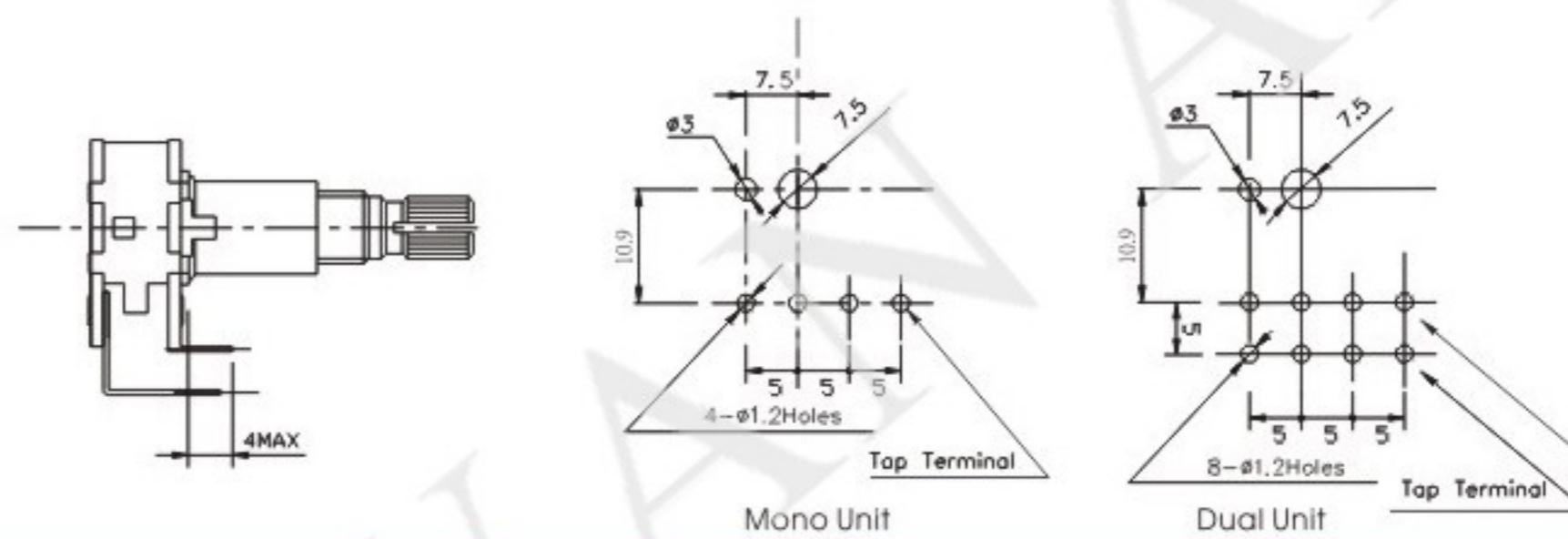
## P.C.B. MOUNTING HOLE DETAIL AND TERMINAL DIMENSIONS

### 20 Type Terminal (PH Terminal)

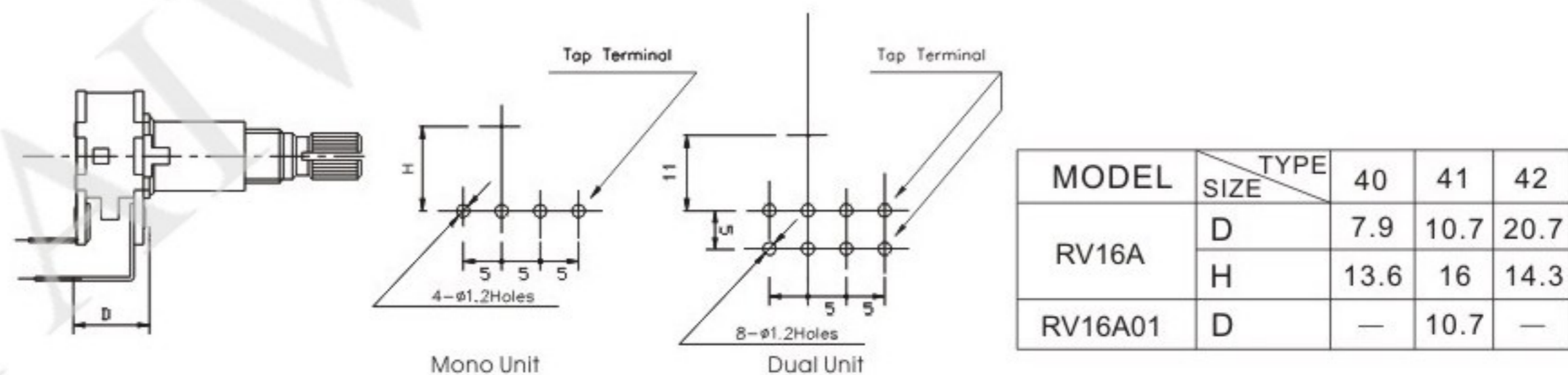


TYPE	20	22	23
H	12.5	18	22

### 30 Type Terminal (PV Terminal)



### 40 Type Terminal (UPV Terminal)



MODEL	TYPE			
	SIZE	40	41	42
RV16A	D	7.9	10.7	20.7
	H	13.6	16	14.3
RV16A01	D	—	10.7	—

### RV16AF

#### MECHANICAL

TOTAL ROTATION ANGLE	300° ±5°
ROTATION TORQUE	20-200 gf.cm
SHAFT STOP STRENGTH	6kgf.cm/Min.
CLICK POSITION	Center, 11, 21 or 41 positions
CLICK TORQUE	100-400 gf.cm

#### ELECTRICAL

RATED WATTAGE	0.125W
RATED VOLTAGE	150V AC
INSULATION RESISTANCE	more than 100MΩ at 500V DC
DIELECTRIC STRENGTH	500V AC, 1 minute
TAP POSITION	50% (150°)
TRACKING ERROR	volume control: -40~0dB ±3dB

#### linear taper (B)

0.125W (B) other tapers

150V AC 150V AC

more than 100MΩ at 500V DC

500V AC, 1 minute

50% (150°)

volume control: -40~0dB ±3dB

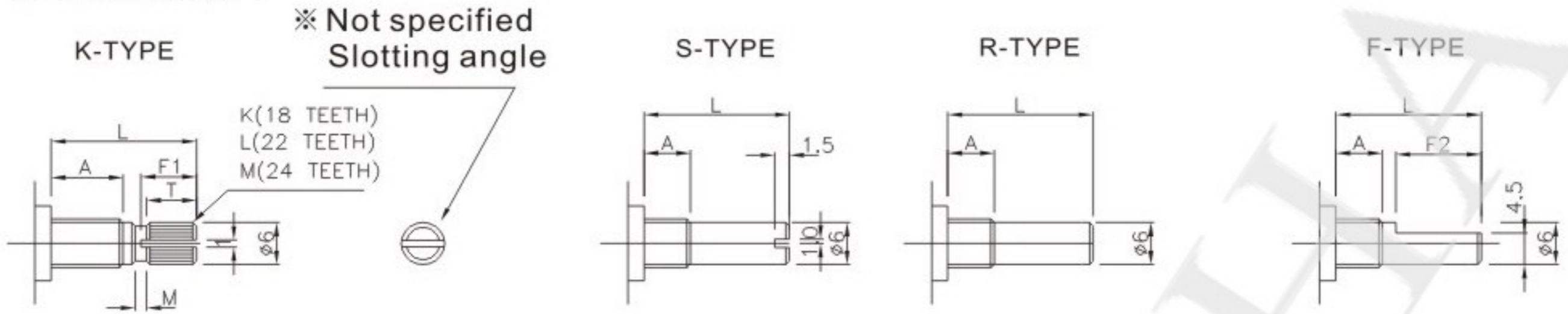
tone, balance control: ±2dB at 50% point

For Shaft & Bushing Dimension please refer to page(74)



STANDARD SHAFT, BUSHING, NUT AND WASHER DIMENSION

METAL SHAFT



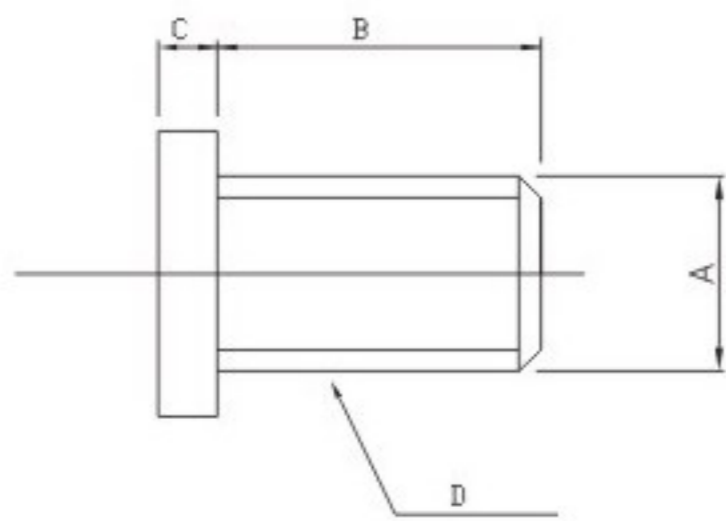
A: 5m/m

SHAFT-TYPE	L	10	15	20	25	30	35	40
K	F1	3.5	6.5	11	14	14	14	14
	T	3.2	6	10	12	12	12	12
	M	0.5	1	2	4	4	4	4
F	F2	4	7	12	14	14	14	14
R, S	L	10	15	20	25	30	35	40

A: 6.5m/m

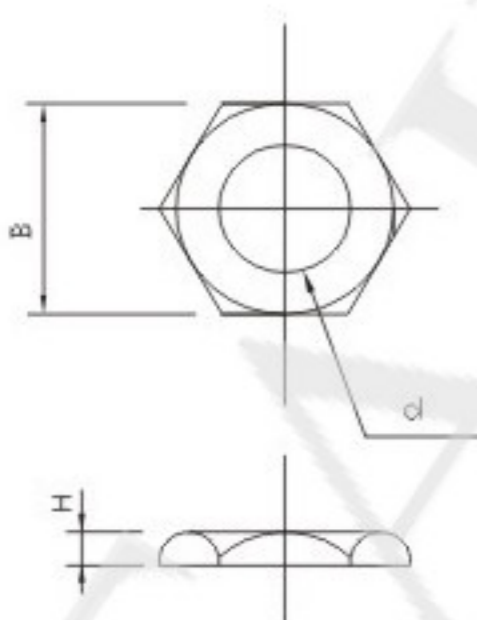
SHAFT-TYPE	L	10	15	20	25	30	35	40
K	F1	2.4	6.5	11	14	14	14	14
	T	2.2	6	10	12	12	12	12
	M	0.5	1	2	4	4	4	4
F	F2	2.5	7	12	14	14	14	14
R, S	L	10	15	20	25	30	35	40

BUSHING

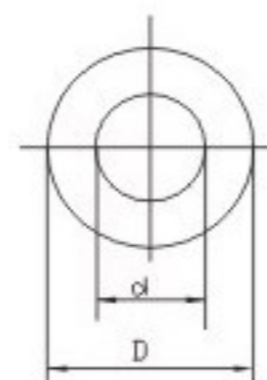


SERIES	RV24A	RV170	RV16A	RV060	RV120	RV122
A	$\phi 8$	$\phi 7$	$\phi 7$	$\phi 9$	$\phi 7$	7
B	6.5	5	6.5	7	7	7
C	2	1	1.4	0.7	3.3	3.3
D	M8x0.75	M7x0.75	M7x0.75	M9x0.75	M7x0.75	M7x0.75

NUT, WASHER

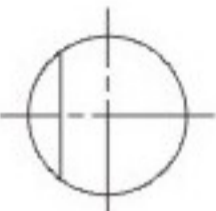


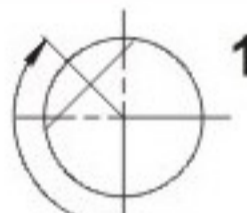


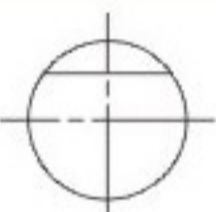
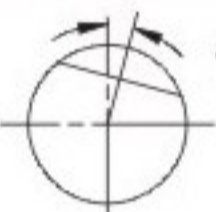











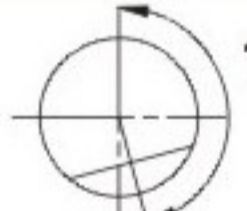




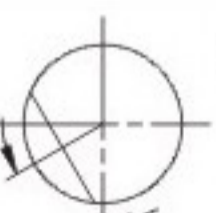
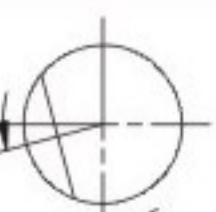
d	B	H
M6x0.75	8	2.0
M7x0.75	10	2.0
M8x0.75	11	2.0
M9x0.75	12	2.0
M10x0.75	14	2.0
3/8"32NEF	12.6	2.2



SERIES	d	D	H
M6	$\phi 6.1$	$\phi 10$	0.4
M7	$\phi 7.1$	$\phi 12$	0.4
M8	$\phi 8.1$	$\phi 14$	0.4
M9	$\phi 9.1$	$\phi 14$	0.4
M10	$\phi 10.2$	$\phi 14.8$	0.5
3/8"32NEF	$\phi 9.7$	$\phi 16$	0.4

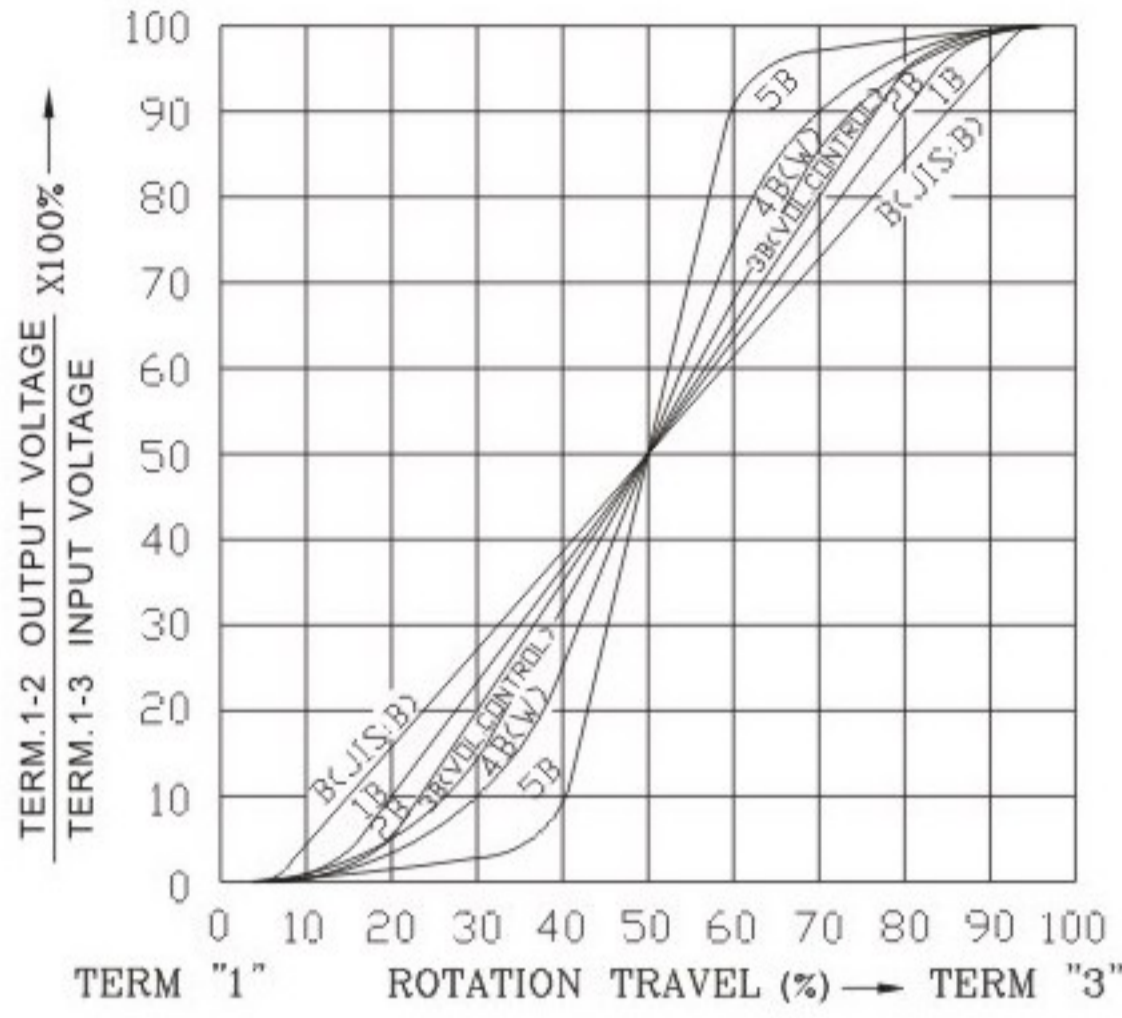
Standard Angle (for 300° rotation)

AXIS Angle	Symbol
	F00, (O)
 105°	F01, (A)
 120°	F02, (B)
 135°	F03, (C)
 150°	F04, (D)
 165°	F05, (E)
	F06, (F)
 15°	F07, (G)
 30°	F08, (H)
 45°	F09, (J)
 60°	F10, (K)
 75°	F11, (L)

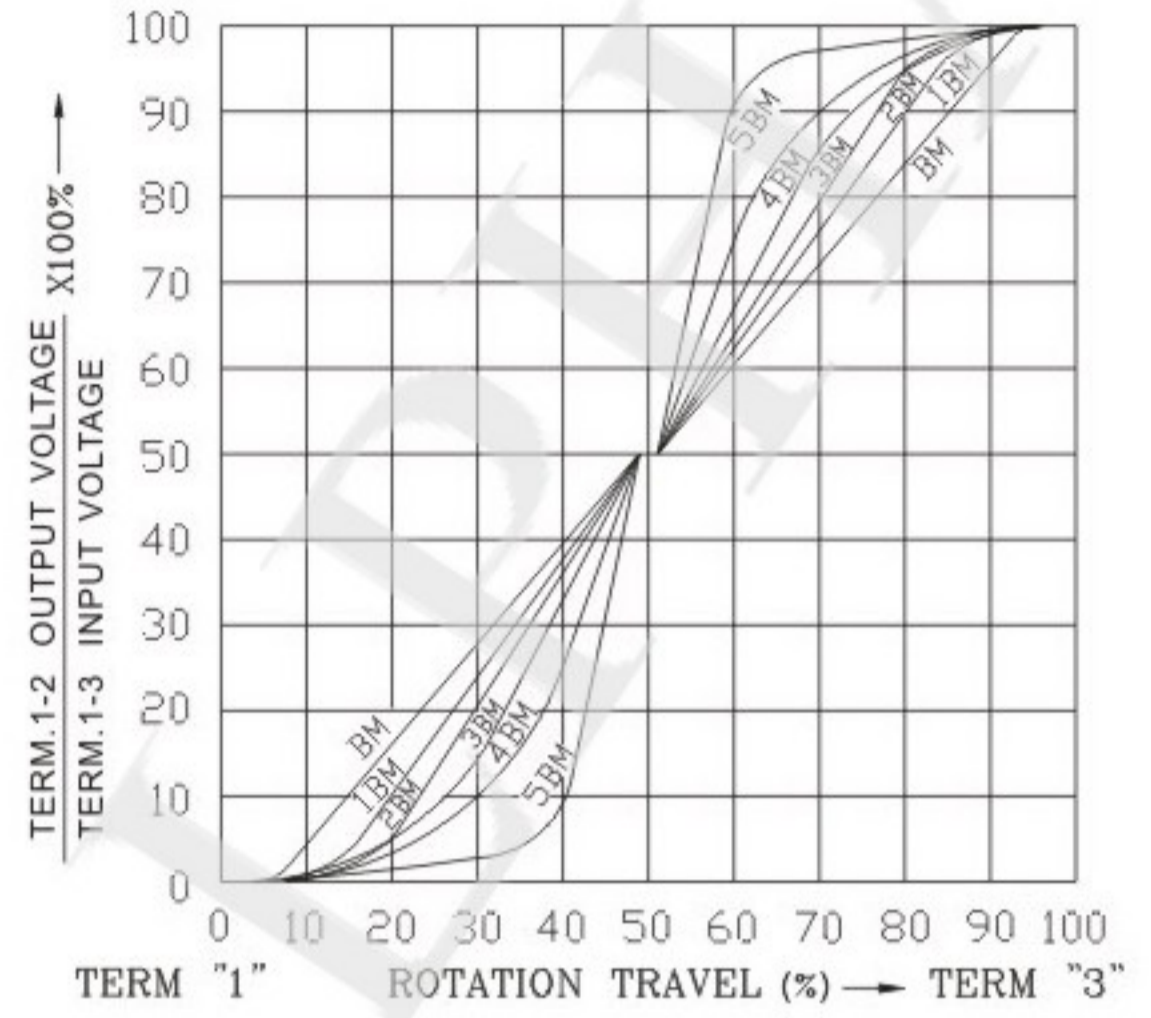
AXIS Angle	Symbol
	F12, (M)
 105°	F13, (N)
 120°	F14, (P)
 135°	F15, (Q)
 150°	F16, (R)
 165°	F17, (S)
	F18, (T)
 15°	F19, (V)
 30°	F20, (W)
 45°	F21, (X)
 60°	F22, (Y)
 75°	F23, (Z)

Axis angle is shown in full counter clockwise position

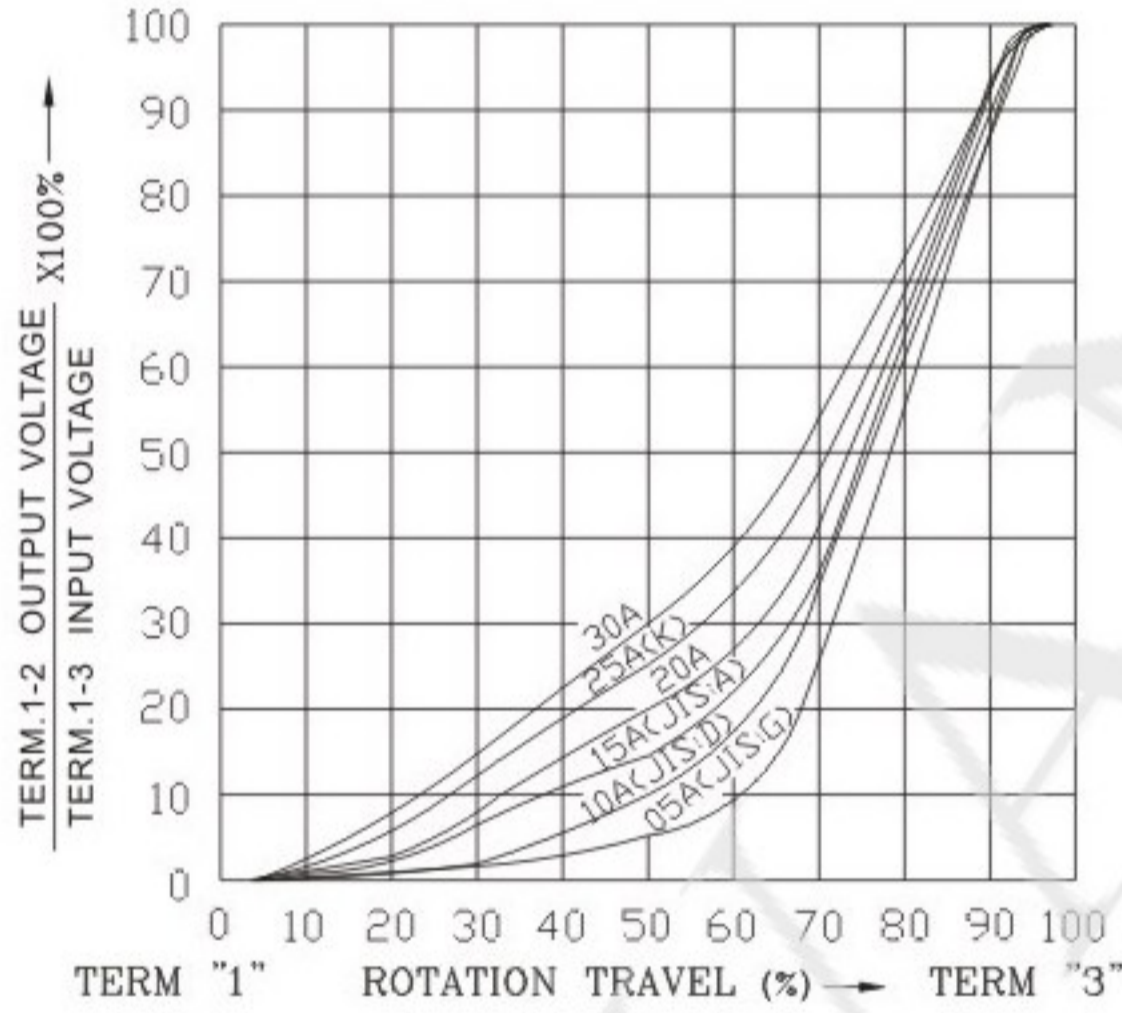
**TAPERS B SERIES**



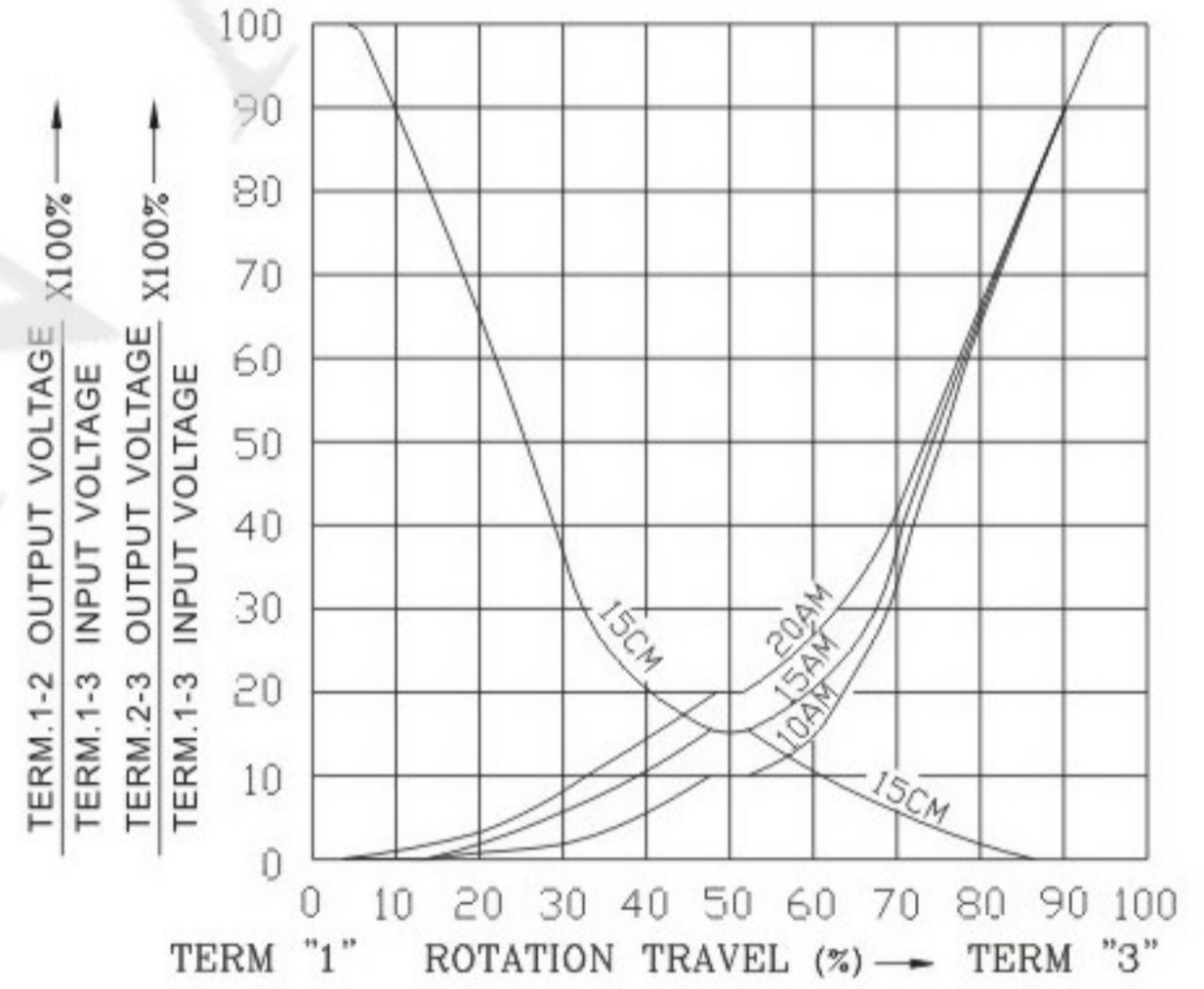
**TAPERS B WITH 50% TAP**



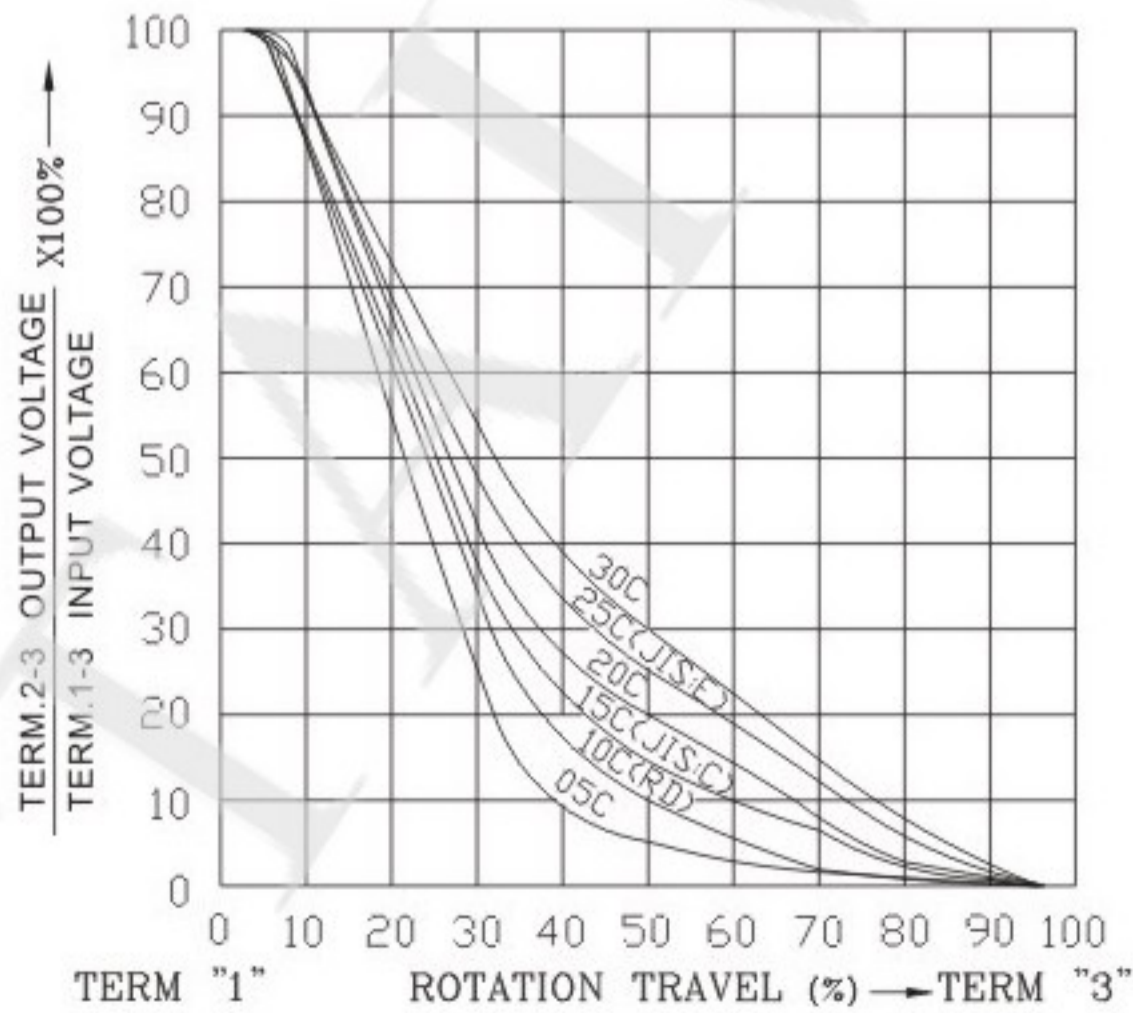
**TAPERS A SERIES**



**TAPERS A & C WITH 50% TAP**



**TAPERS C SERIES**



**TAPERS M & N**

