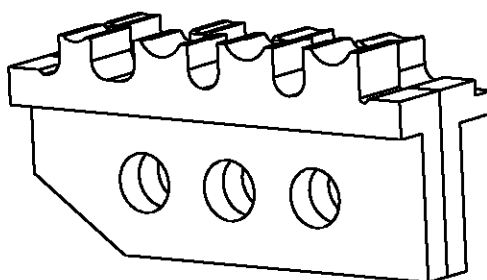
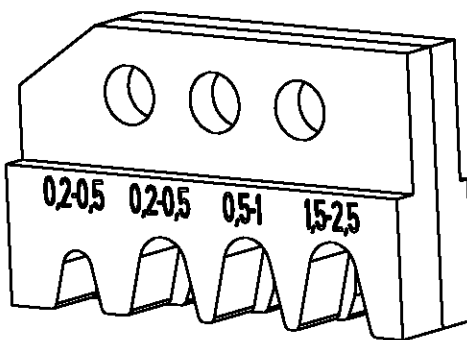


|     |      |           |     |             |      |     |      |
|-----|------|-----------|-----|-------------|------|-----|------|
| LOC | DIST | REVISIONS |     |             |      |     |      |
| A1  | -    | P         | LTR | DESCRIPTION | DATE | DWN | APVD |
|     |      |           |     |             |      |     |      |

| Kontakt<br>Contact | DGB (mm <sup>2</sup> )<br>Wire Range | Drahtcrimp/Wirecrimp |              | Isocrimp     | Iso.-∅<br>Ins. Range | Dichtung<br>Seal | Betriebsanl.<br>Instr. Sheet |
|--------------------|--------------------------------------|----------------------|--------------|--------------|----------------------|------------------|------------------------------|
|                    |                                      | Hoehe/Height         | Breite/Width | Breite/Width |                      |                  |                              |
| 927776             | 0.2-0.5                              | 1.03                 | 1.58         | 2.30         | 1.0-1.6              |                  | 411-18191                    |
| 929931 / 929942    | 0.2-0.5                              | 1.03                 | 1.58         | 3.90         | 1.2-1.6              | 828904           |                              |
| 929930 / 929940    | 0.5-1.0                              | 1.23                 | 2.03         | 4.06         | 1.4-2.1              | 828904           |                              |
| 929929 / 929938    | 1.5-2.5                              | 1.56                 | 2.80         | 4.30         | 2.2-3.0              | 828905           |                              |




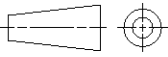
|          |             |            |              |                    |     |
|----------|-------------|------------|--------------|--------------------|-----|
| 539737-2 | 1           | 1-539787-5 | locator ass. | Positioniereinheit | A   |
|          | 1           | 1-519151-3 | screw M4x25  | Schraube M4x25     | A   |
|          | 1           | 0-519151-9 | screw M4x10  | Schraube M4x10     | A   |
|          | 1           | 0-519024-2 | hex nut M4   | Mutter M4 DIN 985  | A   |
|          | QTY<br>Stck | PN         | Description  | Benennung          | REV |

19

RELEASED FOR PUBLICATION

THIS DRAWING IS UNPUBLISHED.

© COPYRIGHT 19 BY TYGO ELECTRONICS CORPORATION. ALL RIGHTS RESERVED.

|  |  |                                    |   |                    |                          |                    |          |
|--|--|------------------------------------|---|--------------------|--------------------------|--------------------|----------|
| DIMENSIONS:<br>mm-DIN 7168-m   |  | DWN<br>M.Weberdoerfer<br>31MAY2000 | MATERIAL<br>-   | FINISH<br>-        |                          |                    |          |
| TOLERANCES UNLESS OTHERWISE SPECIFIED:   |  | CHK<br>U.Reuter<br>31MAY2000       |  tyco Electronics AMP GmbH<br>D - 64625 Bensheim |                    |                          |                    |          |
| 0 PLC ±<br>1 PLC ±<br>2 PLC ±<br>3 PLC ±<br>4 PLC ±<br>ANGLES ±                    |  | APVD<br>-                          |   |                    |                          |                    |          |
|  |  | PRODUCT SPEC<br>-                  | NAME<br>ERGOCRIMP Die Set for Junior Power Timer (SWS)  |                    |                          |                    |          |
|  |  | APPLICATION SPEC<br>-              | SIZE<br>A4  | CAGE CODE<br>00779 | DRAWING NO<br>C=539737-2 | RESTRICTED TO<br>- |          |
|  |  | WEIGHT<br>-                        | CUSTOMER DRAWING  |                    | SCALE<br>2:1             | SHEET 1 OF 1       | REV<br>A |