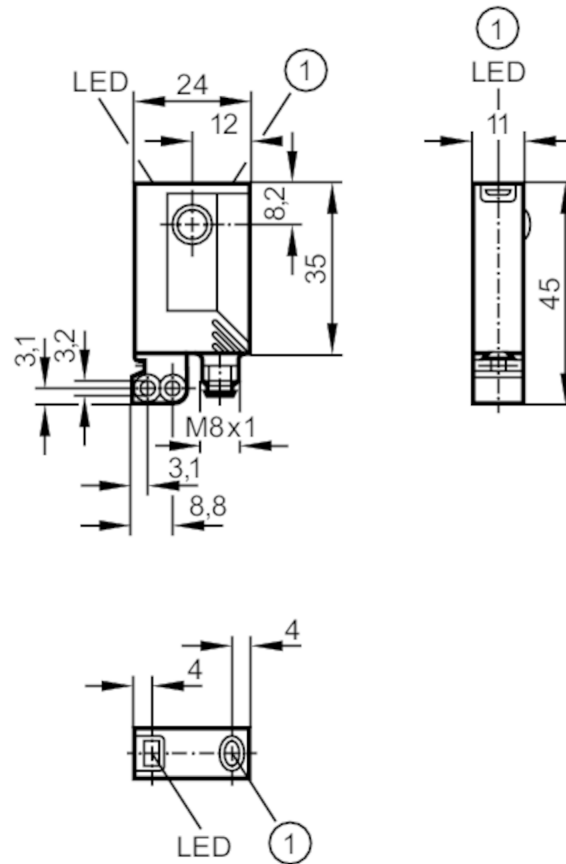




Through-beam sensor receiver

OJE-FPKG/FO/AS



1 pushbutton



Product characteristics

Type of light	infrared light
Housing	rectangular
Dimensions [mm]	35 x 24 x 11

Application

Function principle	Through-beam sensor
--------------------	---------------------

Electrical data

Operating voltage [V]	10...30 DC
Current consumption [mA]	< 12
Protection class	III
Reverse polarity protection	yes
Type of light	infrared light
Wave length [nm]	880



Through-beam sensor receiver

OJE-FPKG/FO/AS

Outputs		
Electrical design	PNP	
Output function	light-on/dark-on mode; (programmable)	
Max. voltage drop switching output DC [V]	2.5	
Permanent current rating of switching output DC [mA]	200	
Switching frequency DC [Hz]	1200	
Short-circuit protection	yes	
Type of short-circuit protection	pulsed	
Overload protection	yes	
Detection zone		
Transmitter / receiver	receiver	
Range [m]	< 5	
Range adjustable	yes	
Operating conditions		
Ambient temperature [°C]	-25...60	
Protection	IP 67	
Tests / approvals		
EMC	EN 60947-5-2	
MTTF [years]	968	
Mechanical data		
Weight [g]	39.2	
Housing	rectangular	
Dimensions [mm]	35 x 24 x 11	
Materials	housing: ABS; fixture: diecast zinc; LED window: SEPS; pushbutton: SEPS	
Lens material	glass	
Lens alignment	front lens	
Displays / operating elements		
Display	switching status	1 x LED, yellow
	operation	1 x LED, green
	function	1 x LED, red
Electronic lock	yes	
Accessories		
Accessories (supplied)	Basic clip: 1 x, E20964	
	screws: 2 x x M3 x 16	
	spring washers: 2 x	
	Nuts: 2 x	
Remarks		
Remarks	operating voltage "supply class 2" according to cULus	
Pack quantity	1 pcs.	
Electrical connection		
Connector: 1 x M8		

OJ5074

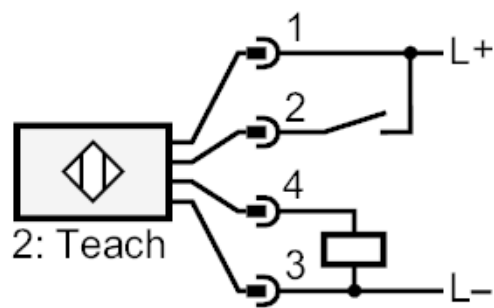


Through-beam sensor receiver

OJE-FPKG/FO/AS



Connection



2

Teach