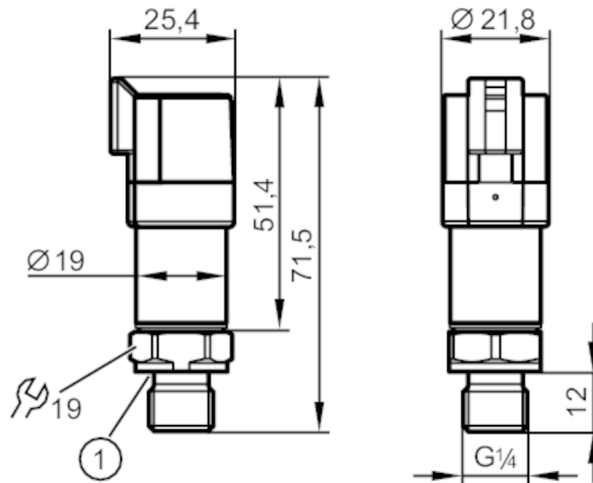


PU8704



Pressure transmitter

PU-010-SEG14-V-DVG/DE



1 Sealing



Product characteristics

Output signal	analogue signal			
Measuring range	0...10 bar	0...145 psi	0...1000 kPa	0...1 MPa
Process connection	threaded connection G 1/4 external thread (DIN EN ISO 1179-2)			

Application

Measuring element	metallic thin film cell		
Application	for mobile applications		
Media	liquids and gases		
Medium temperature [°C]	-40...125		
Pressure rating	25 bar	360 psi	2.5 MPa
Note on pressure rating	static		
Min. bursting pressure	300 bar	4350 psi	30 MPa
Vacuum resistance [mbar]	-1000		
Type of pressure	relative pressure		

Electrical data

Operating voltage [V]	8...32 DC
Current consumption [mA]	< 12
Min. insulation resistance [MΩ]	100; (500 V DC)
Protection class	III
Reverse polarity protection	yes

Inputs / outputs

Number of inputs and outputs	Number of analogue outputs: 1
------------------------------	-------------------------------

PU8704



Pressure transmitter

PU-010-SEG14-V-DVG/DE

Outputs				
Total number of outputs				1
Output signal				analogue signal
Number of analogue outputs				1
Analogue voltage output	[V]			0.5...4.5
Min. load resistance	[Ω]			2000
Short-circuit proof				yes
Overload protection				yes
Measuring/setting range				
Measuring range		0...10 bar	0...145 psi	0...1000 kPa 0...1 MPa
Accuracy / deviations				
Repeatability	[% of the span]	< ± 0,05; (with temperature fluctuations < 10 K)		
Characteristics deviation	[% of the span]	< ± 0,8; (incl. drift when overtightened, zero point and span error, non-linearity, hysteresis)		
Linearity deviation	[% of the span]	< ± 0,25 (BFSL) / < ± 0,5 (LS)		
Hysteresis deviation	[% of the span]	< ± 0,2		
Long-term stability	[% of the span]	< ± 0,1; (per 6 months)		
Temperature coefficient zero point	[% of the span / 10 K]	< ± 0,1 (0...80 °C); < ± 0,2 (-40...0 °C / 80...125 °C)		
Temperature coefficient span	[% of the span / 10 K]	< ± 0,1 (0...80 °C); < ± 0,2 (-40...0 °C / 80...125 °C)		
Response times				
Step response time analogue output	[ms]			2
Operating conditions				
Ambient temperature	[°C]			-40...100
Storage temperature	[°C]			-40...100
Protection				IP 67; IP 69K
Tests / approvals				
EMC		compliant with UN ECE R10, rev. 5		
		ISO 11452-2		100 V/m
		DIN EN 61326-1		
Shock resistance		DIN EN 60068-2-27		500 g (1 ms)
Vibration resistance		DIN EN 60068-2-6		20 g (10...2000 Hz)
MTTF	[years]			658
Pressure Equipment Directive		Sound engineering practice; can be used for group 2 fluids; group 1 fluids on request		

PU8704



Pressure transmitter

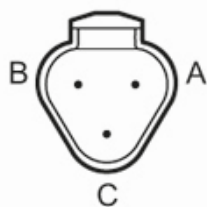
PU-010-SEG14-V-DVG/DE

Mechanical data	
Weight [g]	61.5
Materials	1.4542 (17-4 PH / 630); stainless steel (1.4404 / 316L); PPS
Materials (wetted parts)	1.4542 (17-4 PH / 630); stainless steel (1.4305 / 303)
Min. pressure cycles	60 million; (at 1.2 times nominal pressure)
Tightening torque [Nm]	25...35; (recommended tightening torque; depends on lubrication, seal and pressure rating)
Process connection	threaded connection G 1/4 external thread (DIN EN ISO 1179-2)
Process connection sealing	HNBR (to DIN 3869)
Restrictor element integrated	yes

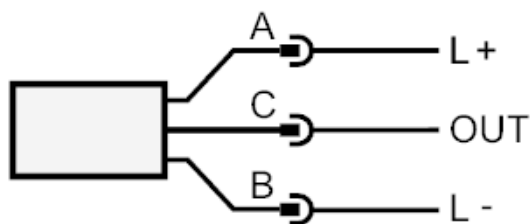
Remarks	
Remarks	BFSL = Best Fit Straight Line LS = limit value setting
Pack quantity	1 pcs.

Electrical connection

Connector: 1 x DEUTSCH connector (DT04-3P); Maximum cable length: 30 m



Connection



OUT analogue output