

MASI67 I/O MODULE

4 digital inputs

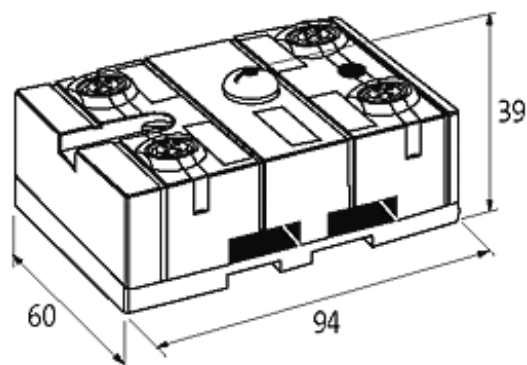
Digital inputs

DI4 - 0.2 A (AB) 4×M12

For connection cables please see chapter "Connection Technology" All housings are fully potted

[Link to Product](#)

Illustration



Product may differ from Image

Approvals



Input

The information in this brochure has been compiled with the utmost care.

Liability for the correctness completeness and topicality of the information is restricted to gross negligence. Version: 05/15

Murrelektronik GmbH | Falkenstraße 3, 71570 Oppenweiler | Fon +49 (71 91) 47-0, Fax +49 (71 91) 47-491000 | shop@murrelektronik.de | shop.murrelektronik.de

Sensor supply US	max. 200 mA from AS-Interface (short-circuit and overload protected)
Type	for 3-wire sensors or mechanical switches, PNP, (EN 61131-2)

Technical Data

Bus voltage (AS-Interface)	26.5...31.6 V DC
Total current	max. 250 mA
Addressing	via built-in address port or master
Address range	1...62 (1...31 A or B)
Profile (IO/ID/ID2 code)	S-0.A.0
Double assignment of M12 female	no
PIN 2 and PIN 4 of M12 female bridged	yes

General data

Protection	IP67
Mounting method	DIN-rail mountable (EN 60715) or screw fixing
Temperature range	-20...+60 °C (storage temperature -20...+70 °C)
Dimensions H x W x D	94x60x39 mm

Diagnostic

Communication status	via LED
Diagnostic via LED	per module
Diagnostic via BUS	yes

Commercial data

country of origin	DE
customs tariff number	85176200
minimum order quantity	1