

## SVS VALVE PLUG FORM BI 11MM FIELD-WIREABLE

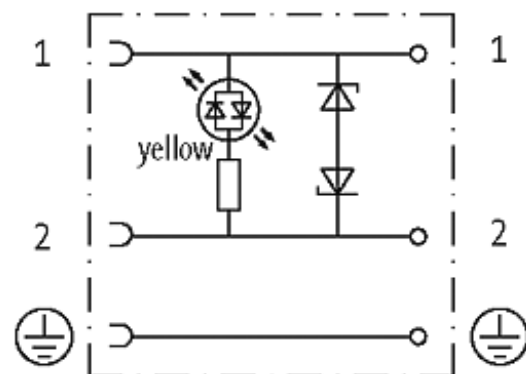
24V LED+Z-Diode M16x1.5

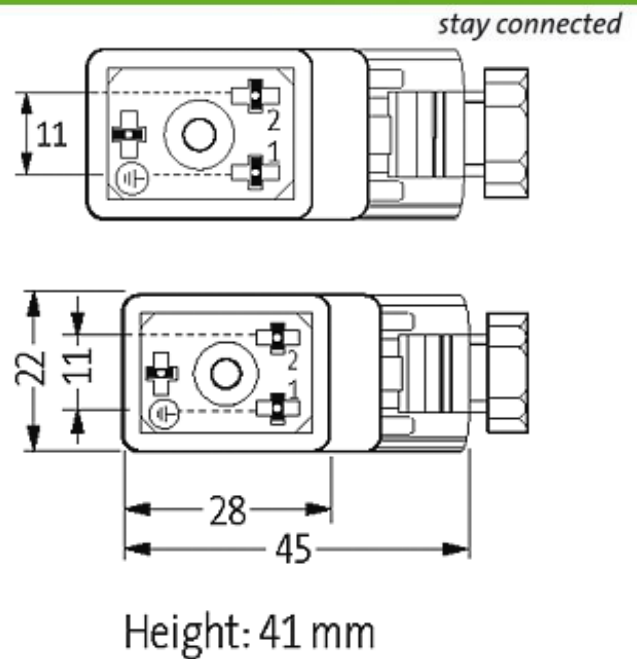
Form BI (11 mm)  
24 V AC/DC with LED and Z-diode  
metric

Plastic housings with good resistance against chemicals and oils. The resistance to aggressive media should be individually tested for your application. Further details on request.

### [Link to Product](#)

#### Illustration





Product may differ from Image

### Approvals



### Form

29801

### Technical Data

Operating voltage	24 V AC $\pm 20\%$ / DC $\pm 25\%$
Operating current per contact	max. 4 A
Switch off peak	max. 55 V
Max. power (W)	max. 100 W(VA)
Connection cross section	4 mm <sup>2</sup> single core, with ferrule end 1.5 mm <sup>2</sup>
Sealing range (cable diameter)	5...10 mm
Locking of ports	M3 (recommended torque 0.4 Nm)
Compression gland	M16 $\times$ 1.5 mm
Protection	IP65 inserted and tightened (EN 60529), with gland

### General data

Temperature range	-20...+60 °C
-------------------	--------------

### Commercial data

country of origin	CZ
customs tariff number	85369010
minimum order quantity	1