

## M12 MALE 0° / M12 FEMALE 0° SHIELDED

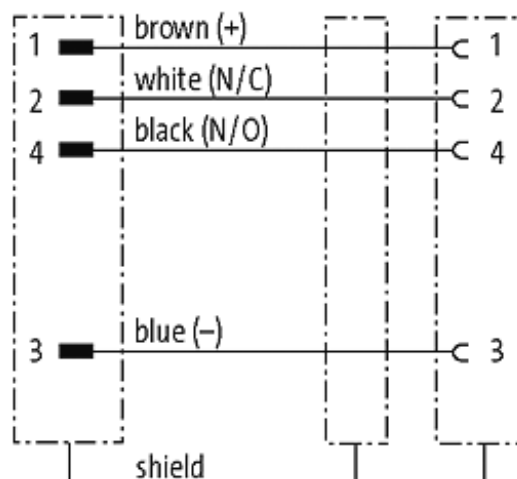
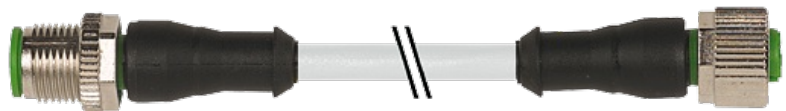
PVC 4X0.34 shielded GRAY, UL,CSA 10m

Male straight to female straight  
M12 - M12, 4-pole

Plastic housings with good resistance against chemicals and oils. The resistance to aggressive media should be individually tested for your application. Further details on request. Further cable lengths on request.

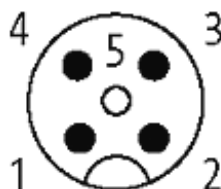
### [Link to Product](#)

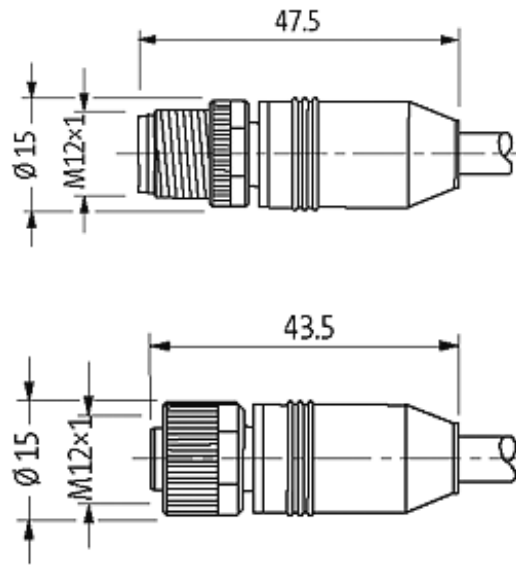
#### Illustration



Male

Female





Product may differ from Image