



REMOTE SWITCH WITH 2 NO WITH JALOUSIE
CONTROL CONTACT FOR AC 230, 400V 16A
CONTROL AC 12V

Figure similar

Model		
product brand name		SENTRON
Latching relay design		others
General technical data		
Electrical endurance (switching cycles)		50 000
Galvanic isolation / between magnet coil and contact		Yes
Switching voltage / of the contacts / with AC / minimum	V	10
Switching current / with AC / per contact / minimum	mA	100
Voltage		
Continuous voltage fuse version		Yes
Surge voltage resistance / Rated value	kV	4
Protection class		
Protection class IP		IP20, with connected conductors
Switching capacity		
Switching capacity apparent power		
• for fluorescent lamp load with DUO circuit	V·A	900
• for fluorescent lamp load with parallel compensation	V·A	400
• for uncompensated fluorescent lamp load	V·A	500
Switching capacity current		
• Rated value	A	16
Switching capacity active power / with filament lamp load	W	2 000

Control current		
Type of voltage		
• of control voltage_1		AC
Control voltage		
• _1 / initial value	V	9.6
• _1 / Full-scale value	V	13.2
• _1 / setpoint	V	12
Control voltage frequency		
• _1 / initial value	Hz	50
• _1 / Full-scale value	Hz	50
Operating range factor control supply voltage rated value / with AC / at 50 Hz		
• initial value		0.8
• Full-scale value		1.1

Product details		
Product component / Switch position indicator		Yes

Product function		
Product function / direct operation		Yes

Number		
Number of terminals		6
Number of NC contacts		0
Number of NO contacts		2
Number of CO contacts		0

Mechanical Design		
Width of opening / of the contacts	mm	1.2
Mounting height	mm	90
mounting position		any
Installation depth	mm	70
Number of width units		1
Mounting type		DIN rail
Required spacing / for live parts	mm	6

Environmental conditions		
Ambient temperature		
• minimum	°C	-10
• maximum	°C	40
• with relative humidity 95% / acc. to DIN 50015	°C	35

Certificates		
--------------	--	--



[other](#)



[other](#)

Further information

Information- and Downloadcenter (Catalogs, Brochures,...)

<http://www.siemens.com/lowvoltage/catalogs>

Industry Mall (Online ordering system)

<https://eb.automation.siemens.com/mall/en/WW/Catalog/Product/5TT41423>

Service&Support (Manuals, Certificates, Characteristics, FAQs,...)

<http://support.automation.siemens.com/WW/view/en/5TT41423/all>

Image database (product images, 2D dimension drawings, 3D models, device circuit diagrams, ...)

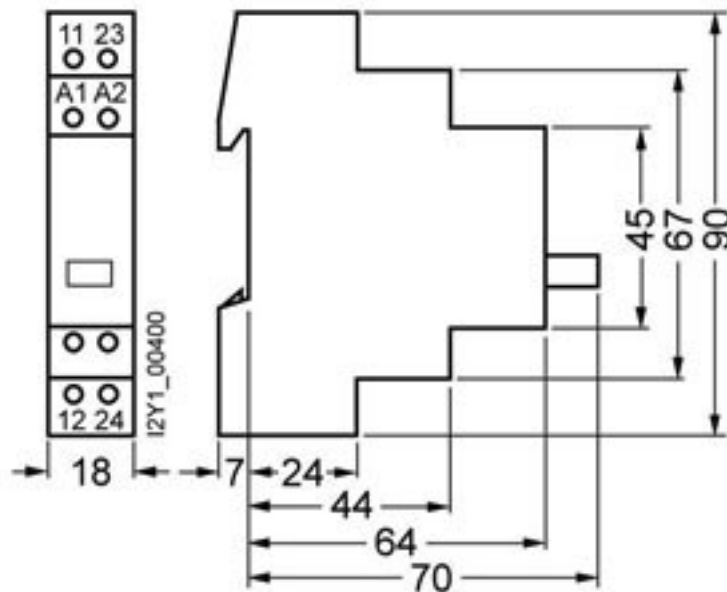
http://www.automation.siemens.com/bilddb/cax_en.aspx?mlfb=5TT41423

CAX-Online-Generator

<http://www.siemens.com/cax>

Tender specifications

<http://ausschreibungstexte.siemens.com/tiplv>



last modified:

11.03.2015