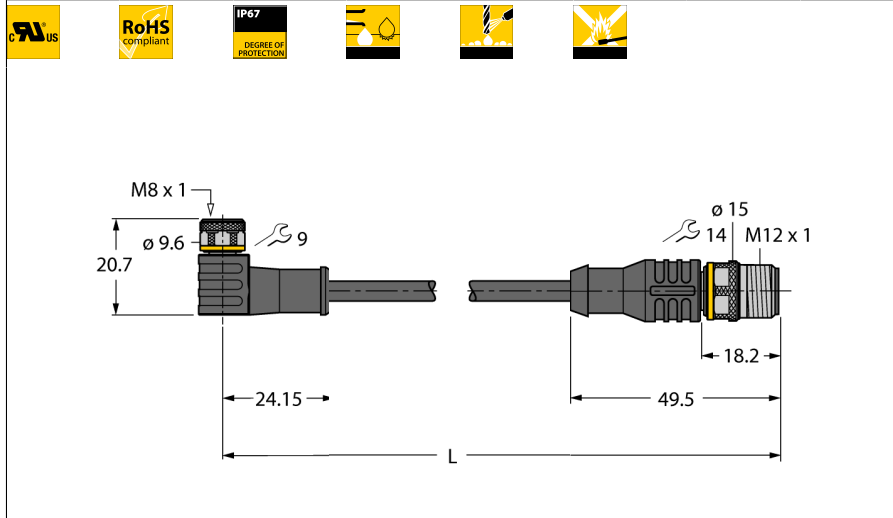


**Actuator/sensor cable, PVC  
extension cable  
PKW3M-P7X2-1-RSC4T/TEL**



- Female M8, angled, 3-pin
- With 2-color LED (PNP, yellow, green)
- Male M12, straight, 3-pin
- Sheath material: PVC
- Sheath color: black
- Resistant to chemicals and oils
- Flame retardant
- Resistant to acids and alkaline solutions
- Resistant to microbes and hydrolysis
- LABS free
- Approval: cULus
- RoHS conform
- Protection class IP67
- Cable length: 1.0 m

**Type designation** PKW3M-P7X2-1-RSC4T/TEL  
**Ident no.** 6626082

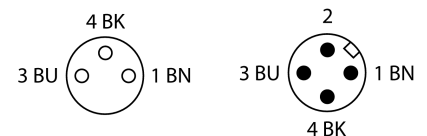
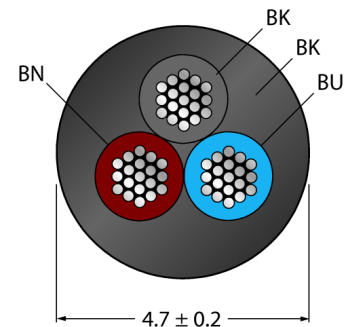
**Connector A side**  
 Number of pins Female connector, M8 ⤵ 1, Angled 3  
 Contacts Brass, CuZn, Gold-plated  
 Contact carriers Plastic, TPU, Black  
 Grip Plastic, TPU, Black  
 Coupling nut/screw Brass, CuZn, Nickel-plated  
 Seal Plastic, FPM/FKM  
 Protection class IP67, A + B side screwed together  
 Operating voltage LED green  
 Display switch state LED yellow  
 Mechanical lifespan > 100 Mating cycles  
 Pollution degree 3  
 Tightening torque 0.5 ... 0.6 Nm  
 (observe max. torque of counter piece!)

**Connector B side**  
 Number of pins Connector, M12 x 1, Straight 3 pins  
 Contacts brass, CuZn, Gold-plated  
 Contact carriers Plastic, TPU, Black  
 Grip plastic, TPU, black  
 Coupling nut/screw Brass, CuZn, Nickel-plated  
 Protection class IP67, only in screwed state  
 Mechanical lifespan > 100 Mating cycles  
 Pollution degree 3  
 Tightening torque 0.8 ... 1 Nm  
 (observe max. torque of counter piece!)

**General data**  
 Cable diameter 4.7 ± 0.20mm  
 Cable length 1 m  
 Cable quality PVC  
 Cable color Black  
 Core insulation PVC  
 Core colors BN, BU, BK  
 Core cross-section 3x0.34mm<sup>2</sup>  
 Arrangement of strands 42x0.1 mm

**Electrical features at +20 °C**  
 Current 4 A  
 Rated voltage 60 V  
 Insulation resistance > 30.5 MΩ/km  
 Test voltage 2000 V  
 Forward resistance max. 57 Ω/km

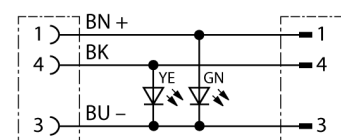
**Cable Cross-section**



**General information**

Drawing depicts design version including hexagon coupling nut  
 (Production date after CW11/2016).

**Circuit Diagram**



**Actuator/sensor cable, PVC  
extension cable  
PKW3M-P7X2-1-RSC4T/TEL****Mechanical and chemical properties**

---

Bending radius (stationary laying)	> 5 x Ø
Bending radius (flexible use)	> 10 x Ø
Ambient temperature	
Stationary	-40...+105°C
In motion	0...+80°C

**Actuator/sensor cable, PVC  
extension cable  
PKW3M-P7X2-1-RSC4T/TEL**

**TURCK**

Industrial  
Automation

**Accessories**

Type code	Ident no.	Description	
Torque-Wrench-Set-AS	6936170	Torque wrench set; handles with adjustable torque 0.4-1.0 Nm, torque wrench for M8 (SW9), fork wrench for M12 (SW 14)	
BLANK-LABEL-FOR-CORDESETS-TEL-TXL	6936206	Label for TEL and TXL cables, length: 18 mm, height: 4 mm, material: polycarbonate (PC), color: white, halogen-free and flame-retardant	