

*Features:

- HALED patent optics design, similar to halogen light effect
- Can replace halogen lamp directly
- Easy and quick installation
- PF>0.85, flicker free, following new ErP
- Dimmable by triac dimmer,
6W HALED lamp replace 50W halogen lamp
8W HALED lamp replace 75W halogen lamp
- CRI 95, R9>70
- Low UGR, high center light intensity
- Suitable for all kinds of unenclosed luminaire
- Metal appearance, excellent heat dissipation
- Lifespan 40000 hrs, 5 years warranty
- High energy efficiency

CE RoHS ErP



Applications

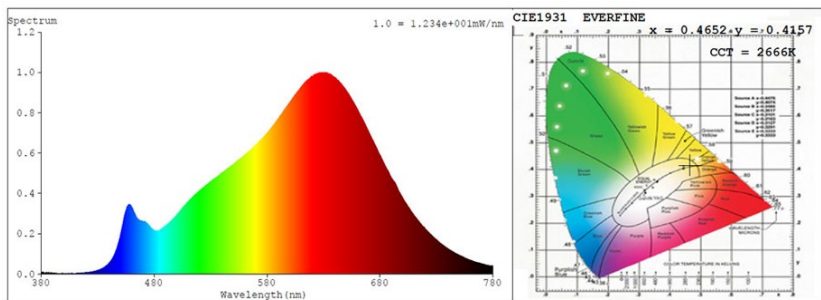
- Residential application and hotel lighting.
- Commercial lighting like restaurants, bars,cafes, etc.

Technical data

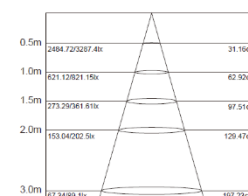
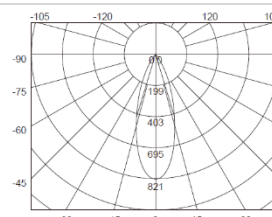
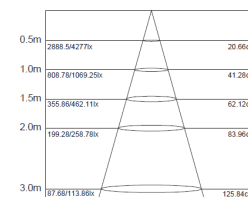
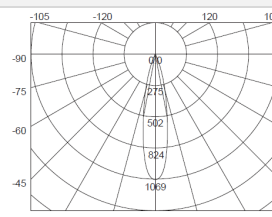
Part No.	Type of installation
WGU10 KC50T6	GU10/ Par16
Electrical specifications	
Wattage (W)	6W
AC input voltage (V)	AC200V-240V
Frequency (Hz)	50/60Hz
Flicker metric PST	0.023
Total harmonic distortion (THD)	27%
Max. no. of lamps on B16A circuit breaker	420
Max. no. of lamps on C16A circuit breaker	420
Photometric specifications	
Color temperature (CCT)	2700K-2100K
Chromaticity coordinate (x/ y)	2700K: 0.459/ 0.412 2100K: 0.520/ 0.415
Useful luminous flux (lm)	350lm ± 5%
UGR	≤19

Power factor	>0.85
Current	30mA
DC output voltage (V)	-
Stroboscopic effect metric SVN	0.25
Dimmable	Dim to warm
Max. no. of lamps on C10A circuit breaker	240
CRI/ R9	95/ >70(Min.)
Standard deviation of colour	≤5 SDCM
Luminous efficiency (lm/W)	66lm/ W

Photometric Information



EAN	Colour	Beam angle	Peak Luminous intensity
25657	Titanium	24°	1050cd
25652	Titanium	36°	800cd



Mechanical specifications

Housing material	Aluminium
Optical cover/ lens material	AlReflector+PC+Glass
Width/ diameter	50mm
Product weight	47g

Lifespan

Number of switching cycles	100,000-
L80/B10 service life at 25°C	40,000 hrs
Warranty	5 Years

Application parameters

Working temperatuer range	-20~+50°C
---------------------------	-----------

Package

Individual package length	50mm
Individual package height	65mm
Driver	Internal
Shipping box length	580mm
Shipping box height	185mm

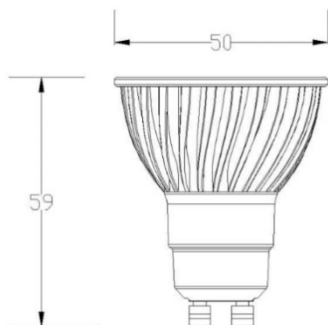
Housing Colour	Titanium
Length/ diameter	50mm
Height	59mm

L70/B50 service life at 25°C	50,000 hrs
L90/B10 service life at 25°C	20,000 hrs

Storage temperature range	-20~+70°C
---------------------------	-----------

Individual package width	50mm
Gross weight (single item)	60g
Packaging unit	100pcs
Shipping box width	285mm
Gross weight (Shipping box)	8kgs

Technical Drawings (mm)



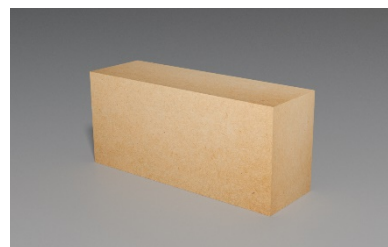
Package



Inner Box 50*50*65mm



Inner Carton 270*110*80mm(10PCS)

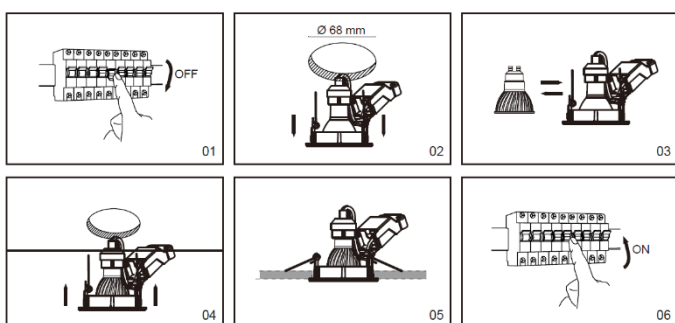


Shipping Carton 580*285*185mm(100PCS)

Installation /Mounting:

Please read the entire instruction manual before using the product and reserve it for future reference. We reserve the right for any error in text or image and any necessary change made to technical data. If you have any question regarding technical problems, please contact our Customer Services.

Replacement



Cautions:

- Don't touch the lamp when it is lighted
- Don't use it in enclosed luminaire
- Power off before replacement
- Do not in violation of any fire regulations when using
- Consult professional electricians for technical support
- If the cable is damaged, it must be replaced by the manufacturer and its service agent, or qualified person in order to avoid hazards.