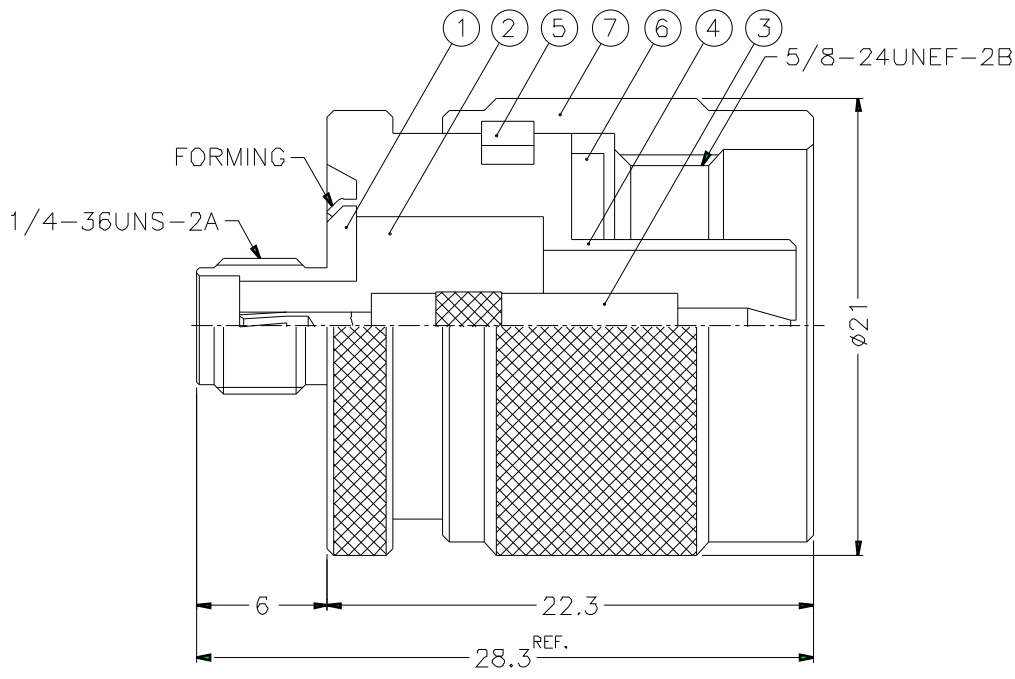


1		2		3		4		5		6		7		8	
REVISIONS															
ISS	ZONE	DESCRIPTION\PER REQUEST\DATE													



NOTES: FINISH (PLATING THICKNESS IN MICRO-INCHES)  
 1. BRASS PER QQ-B-626  
 2. NICKEL PL. 100 MIN. THICK OVER COPPER STRIKE  
 3. PHOSPHOR BRONZE PER QQ-B-750  
 4. GOLD PL. 3 MIN. THICK OVER NICKEL PL. 100 MIN. THICK OVER COPPER STRIKE  
 5. TEFLON MIL-P-19468

7 SHELL						NOTE 1				NOTE 2				1 N5000-1-B				DIMENSIONS ARE IN MILLIMETERS				PART NO. NM-SMAF-NT3G-50				<b>Amphenol</b>			
6 GASKET						SILICONE				RED				1 GS-156/8X15				UNLESS OTHERWISE SPECIFIED TOLERANCES				APPROVED							
5 RETAINER RING						SUS 304				NATURAL				1 N5000-7-C				0.5-6 = ±0.2				CHECKED				DATE 10-11-01'			
4 CONTACT BODY						NOTE 1				NOTE 2				1 RSA-3478-4				6-30 = ±0.4				DRAWN				DATE 10-11-01'			
3 CONTACT PIN						NOTE 3				NOTE 4				1 RSA-3478-3-B				30-120 = ±0.6				FILE NO.				DRAWING NO. KJ-NM-SMAF-NT3G-50			
2 INSULATOR						NOTE 5				NATURAL				1 RSA-3478-2-B				120-315 = ±1				ITEM NO.							
1 BODY						NOTE 1				NOTE 2				1 RSA-3478-1-C				315-1000 = ±1.6											
NO.		DESCRIPTION		MATERIAL		FINISH		Q'TY		DRAWING NO.		SCALE		3/1		ISSUE		A		FILE NO.									

1		2		3		4		5		6		7		8	
---	--	---	--	---	--	---	--	---	--	---	--	---	--	---	--