

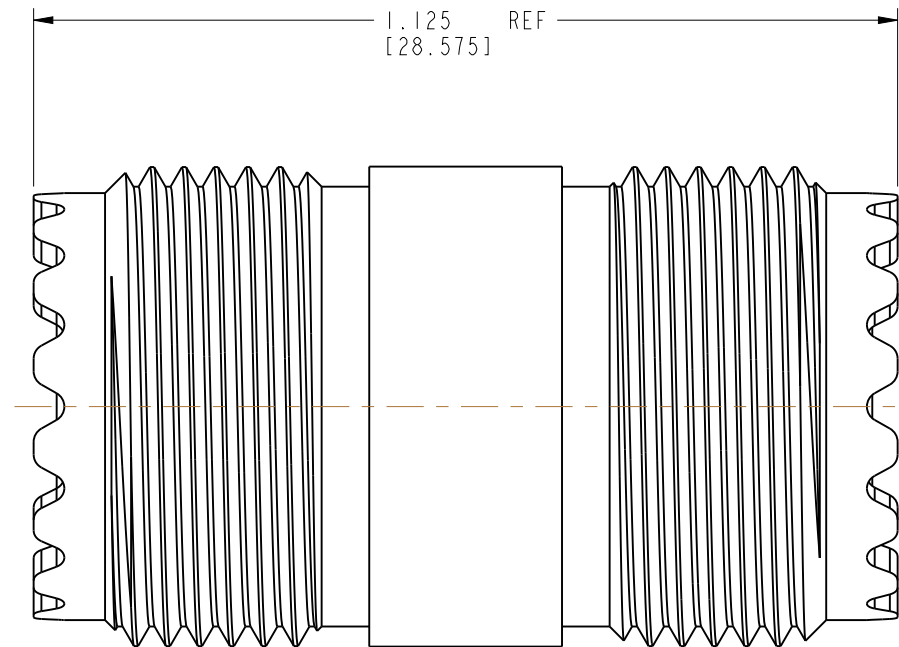
NOTES:

1. MATERIALS AND FINISHES:  
 BODY - BRASS, NICKEL PLATING  
 CONTACT - BRASS, SILVER PLATING  
 SOCKET INSERT - MACHINED POLYSTYRENE  
 RETAINING RING - PHOSPHOR BRONZE, NICKEL PLATING
2. ELECTRICAL:  
 A. IMPEDANCE: NON-CONSTANT  
 B. FREQUENCY RANGE: DC - 300 MHz
3. MECHANICAL:  
 A. TEMPERATURE RANGE: -55° C TO +85° C
4. PACKAGING:  
 A. QUANTITY: SINGLE PACK  
 B. MARKING: BAG TO BE MARKED  
 "AMPHENOL, 83-1J, AND DATE CODE"

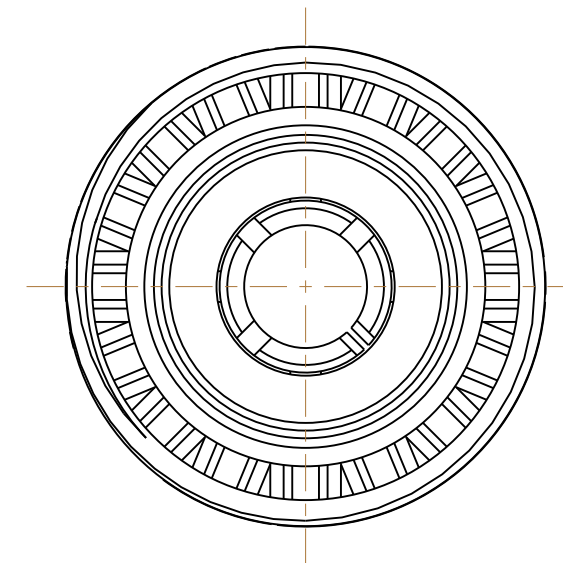
THIRD ANGLE PROJ.

REVISIONS

REV	DESCRIPTION	DATE	ECO	APPR
--	RELEASE TO MFG	-----	-----	
V	REDRAWN ADDED COD	11/6/12	49230	EW



STAMP IN 2 LINES  
 "AMPHENOL 83-1J  
 PL-258 49191" REF



**CUSTOMER OUTLINE DRAWING**

ALL OTHER SHEETS ARE FOR INTERNAL USE ONLY

UNLESS OTHERWISE SPECIFIED, DIMENSIONS ARE IN INCHES AND TOLERANCES ARE: 2 PLACE DECIMAL 3 PLACE DECIMAL ANGLES ±.015 (0,381 mm) ±.005 (0,127 mm) ± 1°  NOTICE - These drawings, specifications, or other data (1) are, and remain the property of Amphenol corp. (2) must be returned upon request; and (3) are confidential and not to be disclosed to any person other than those to whom they are given by Amphenol Corp. the furnishing of these drawings, specifications, or other data by Amphenol Corp., or to any other person to anyone for any purpose is not to be regarded by implication or otherwise in any manner licensing, granting rights to permitting such holder or any other person to manufacture, use or sell any product, process or design, patented or otherwise, that may in any way be related to or disclosed by said drawings, specifications, or other data.	MATERIAL	DRAWN	DATE	TITLE ADAPTER JACK-JACK ARMY# PL258 NAVY# 49191		Amphenol RF www.amphenolrf.com		
		C. MCGRATH	20-Aug-12					
	REFERENCE AND CONFIGURATION LEVEL: In Work	ENGINEER	DATE		SCALE: 4.0:1.0 SHEET 2 OF 2		DRAWING NO.83-1J ITEM NO.83-1J	
	FINISH	E. WANKOFF	20-Aug-12					
	APPROVED	DATE		DWG SIZE B		REV V		
	K.CAPOZZI	11/6/12						PART NO.83-1J
	CAD FILE							