

## MASI67 I/O MODULE K3

4 digital inputs, 4 digital, passive safety outputs

### Digital inputs/outputs

Output groups up to PLd (EN ISO 13849-1) can be switched off via safety relays

DI4 - 0.2 A DO4 - 1.6 A (C) - 4x M12 (AB) (K3)

Double assignment of M12 females, PIN 2 + 4

Connection cables are in the online shop under "Connection Technology".

Housing fully potted.

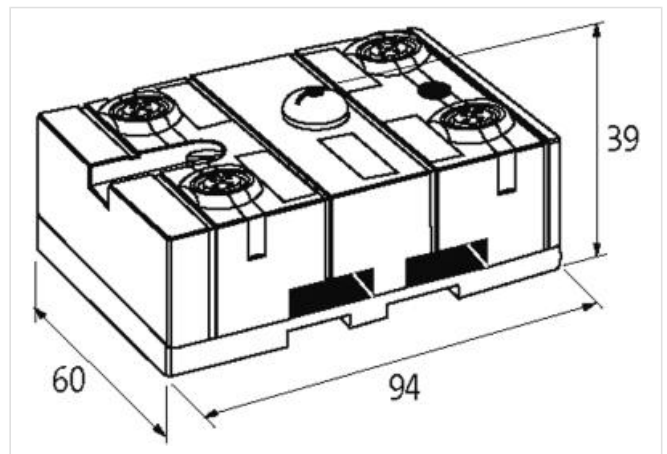
24 V DC external (18...30.2 V DC) EN 61131-2, connection via black AS-Interface profile cable

### Link to Product

#### Illustration



Product may differ from Image



#### Commercial data

ECLASS-6.0	27242604
ECLASS-6.1	27242604
ECLASS-7.0	27242604
ECLASS-8.0	27242604
ECLASS-9.0	27242604
ECLASS-10.1	27242604
ECLASS-11.1	27242604
ECLASS-12.0	27242604
ETIM-5.0	EC001599
customs tariff number	85176200
GTIN	4048879048996
Packaging unit	1

#### Electrical data | Supply

Bus voltage AS-Interface DC min.	26,5 V
Bus voltage AS-Interface DC max.	31,6 V
Current consumption AS-i port max.	250 mA
Total current max.	6,4 A

#### Electrical data | Input

The information in this Product-PDF has been compiled with the utmost care.

Liability for the correctness completeness and topicality of the information is restricted to gross negligence. Version: 2024-05-14

Overload resistant	yes
Short-circuit protected	yes
Type input	PNP, for 3-wire sensors or mechanical switches
Current carrying capacity max.	0,2 A
<b>Electrical data   Output</b>	
Overload resistant	yes
Short-circuit protected	yes
Output current per pin max.	1,6 A
<b>Industrial communication   Bus data</b>	
Address setting type	Addressing socket, Master
Slave address range	(0), 1 A...31 A, 1 B...31 B
<b>Industrial communication   AS-Interface</b>	
Profile (IO.ID.ID2)	S-7.A.7
<b>Diagnostics</b>	
Diagnostic	No voltage
Diagnostic via LED	per module
LED display	Ethernet connection/data traffic
<b>Installation   Connection</b>	
Double assignment M12 female	yes
<b>Device protection   Electrical</b>	
Degree of protection (EN IEC 60529)	IP67
<b>Mechanical data   Mounting data</b>	
Mounting method	screwed, geschnappt
Suitable for mounting type	mounting rail, (EN 60715)
Height	94 mm
Width	60 mm
Depth	39 mm
<b>Environmental characteristics   Climatic</b>	
Operating temperature min.	-20 °C
Operating temperature max.	60 °C
Storage temperature min.	-20 °C
Storage temperature max.	70 °C
<b>Connection type 2</b>	
Family construction form	M12
Gender	female
Color contact carrier	black
Coding	A
No. of poles	5
PIN 1	n.c.
PIN 2	DO
PIN 3	0 V
PIN 4	DO
PIN 5	PE
Family construction form	M12
Gender	female
Color contact carrier	black
Coding	A
No. of poles	5
PIN 1	Usens +
PIN 2	DI
PIN 3	Usens -

PIN 4

DI

PIN 5

n.c.

---