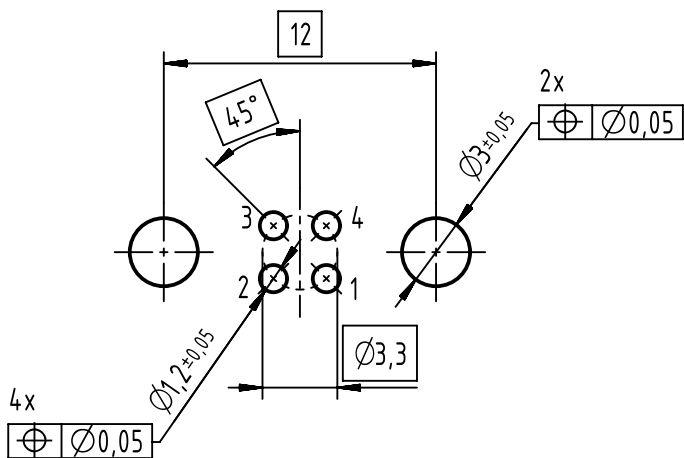
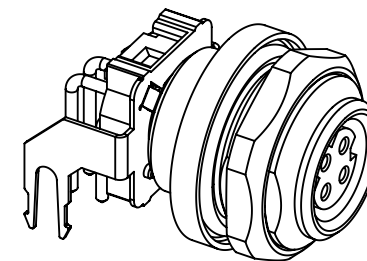
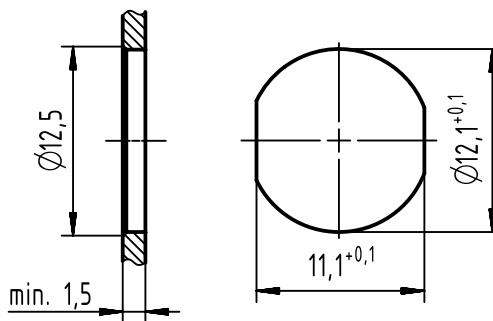


PCB layout
(3:1)



panel cut out
(for M12x1)



- 1pcs. package
recommended PCB thickness: 1,6mm

	All rights reserved Department EL PD	All Dimensions in mm Original Size DIN A4		Scale 2:1	Free size tol.	Ref. Sub.
		HARTING Electronics GmbH D-32339 Espelkamp	Created by GRUBES	Inspected by HARLASS	Standardisation HOFFMANN	Date 2018-11-08
				Title M8-PCB-THT-2PC-4P-DCOD-F-ANG-SHLD		Doc-Key / ECM-Nr. 100766815/UGD/000/B 500000143076
				Type TB	Number 21420000020	Rev. B Page 1/1