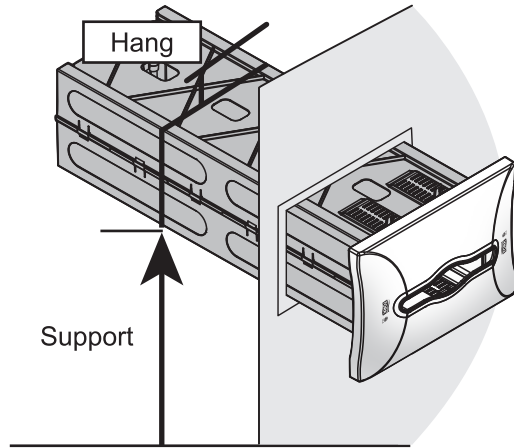
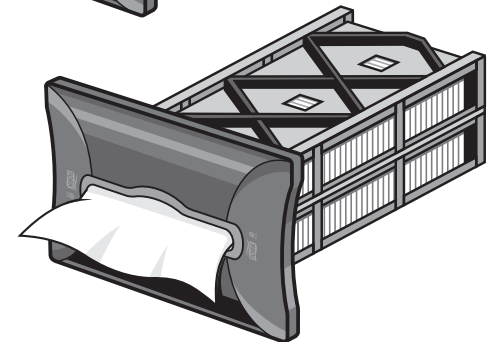
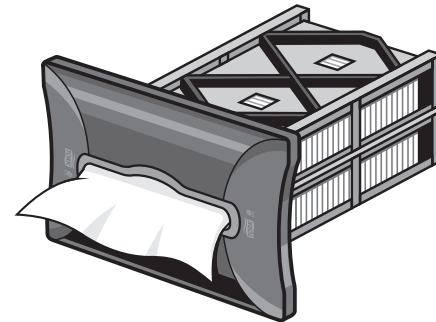


Horizontal Mounting
(51cm depths)



Signature
Design



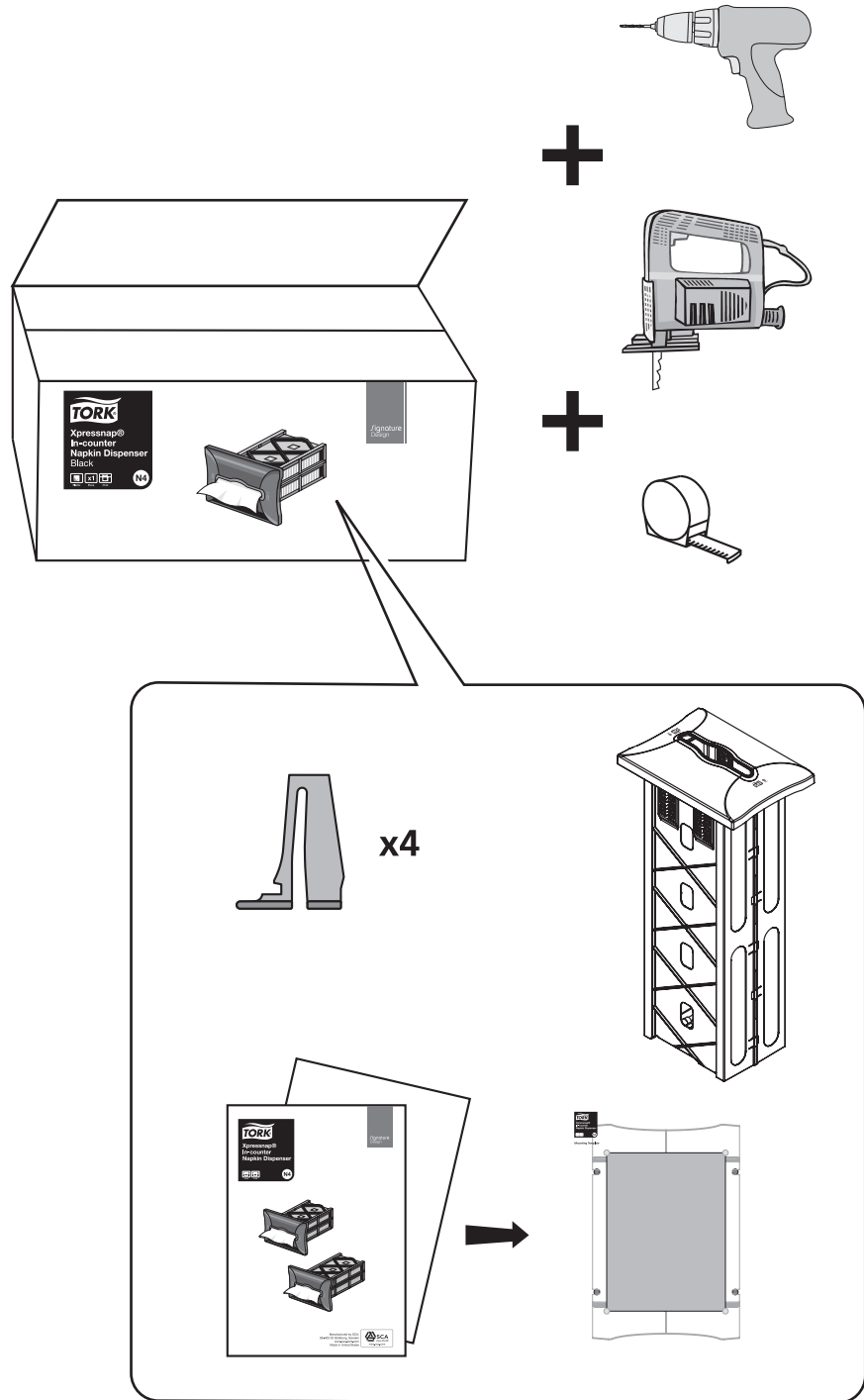
Manufactured by SCA,
SE-405 03 Göteborg, Sweden
www.sca-tork.com
Made in United States



Manufactured by SCA,
SE-405 03 Göteborg, Sweden
www.sca-tork.com
Made in United States

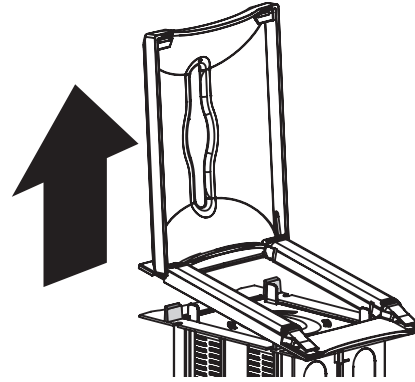


Contents:

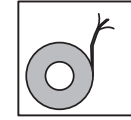
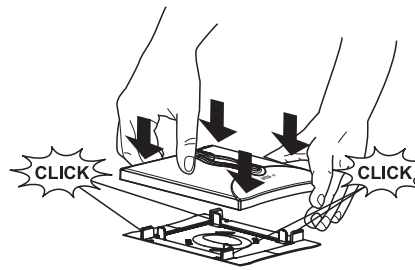


Optional Installation Methods:

Before optional installation
Remove Lid from Chute

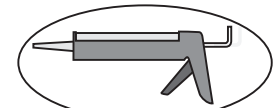
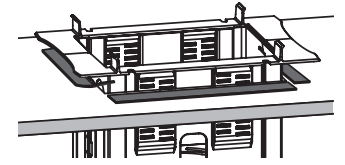


After optional installation
Attach Lid to Chute



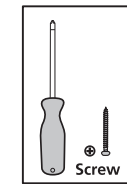
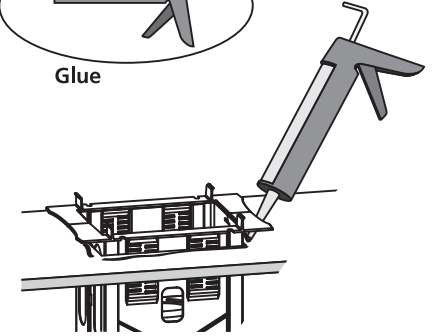
Dual Side Foam Tape

ALT 1



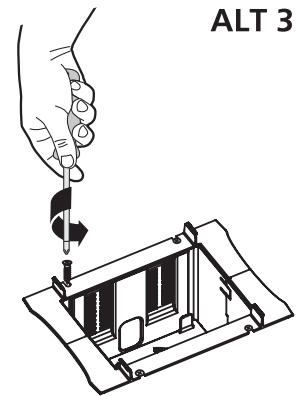
Glue

ALT 2

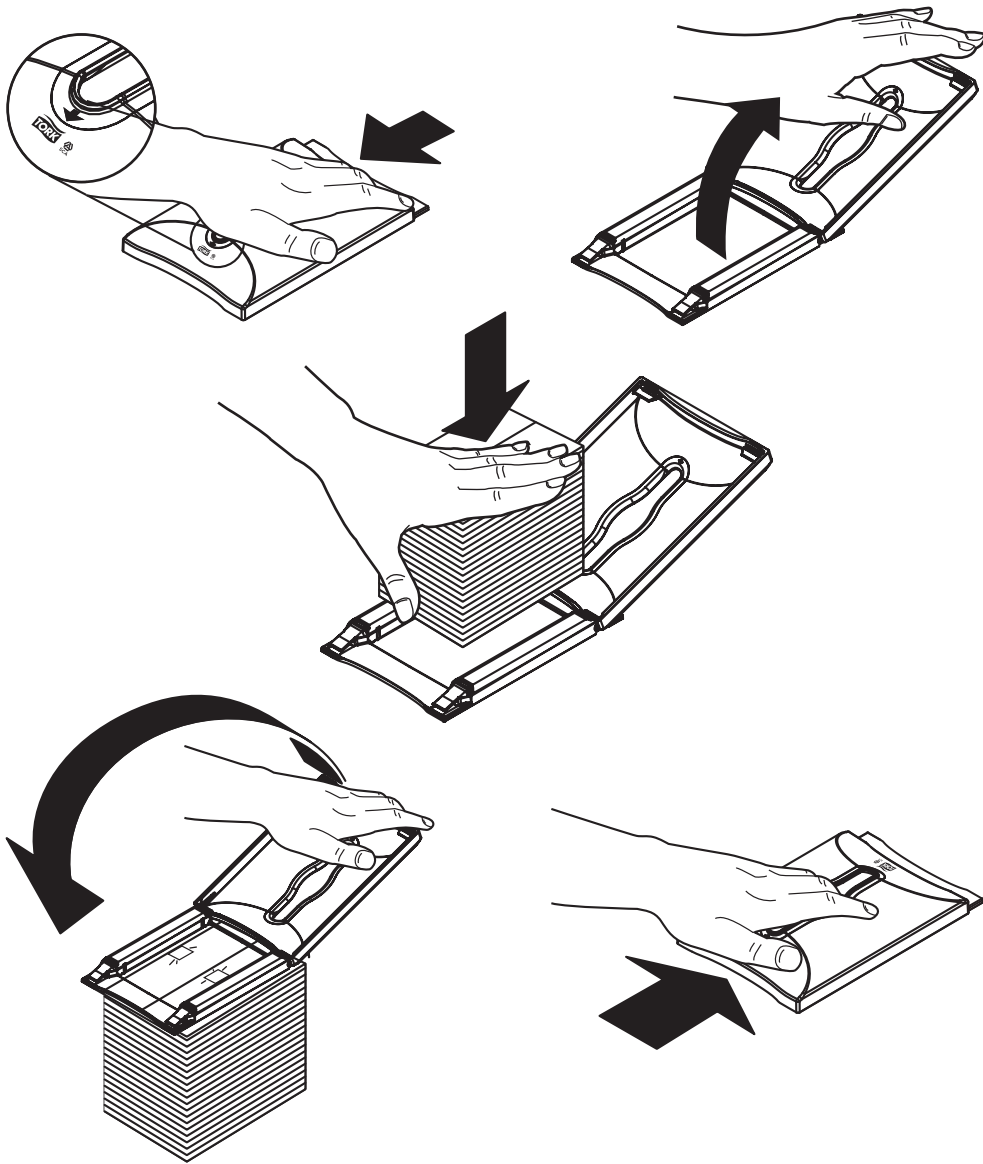


Screw

ALT 3

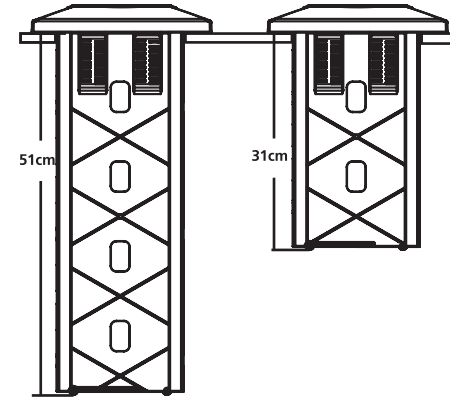


Loading napkin: Opening-Loading-Closing

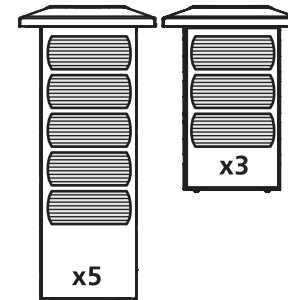


Requirements

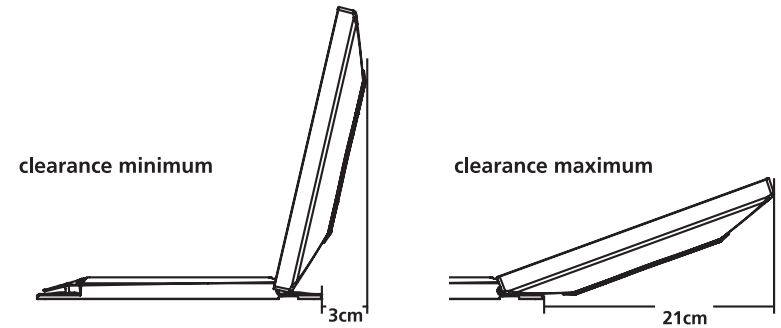
Depth



Napkins Capacity

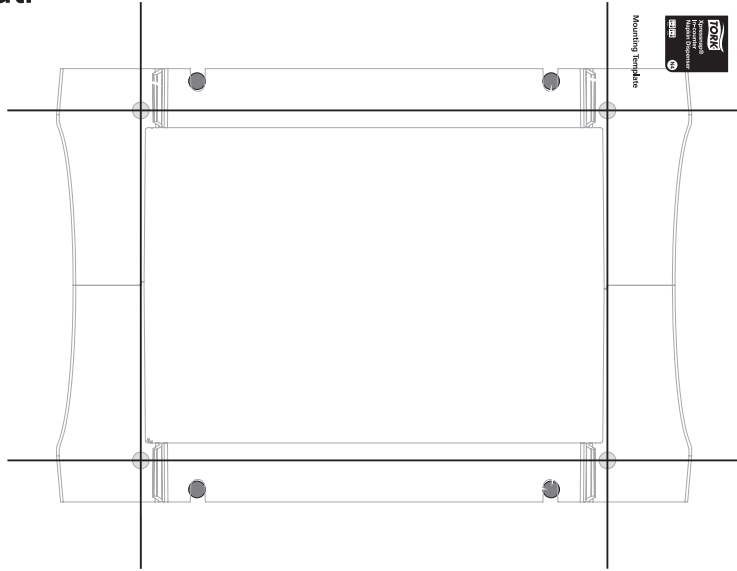


Clearance

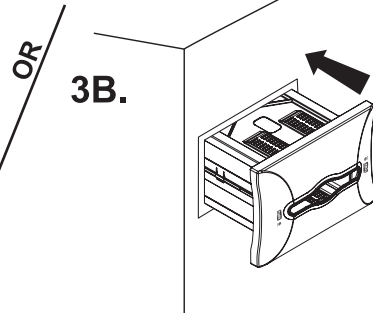
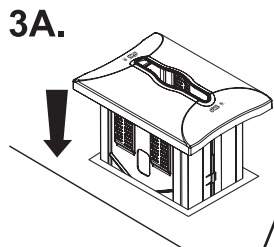
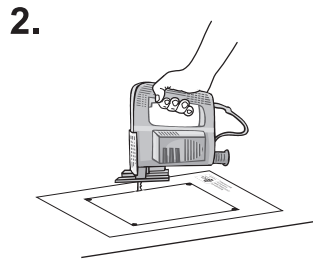
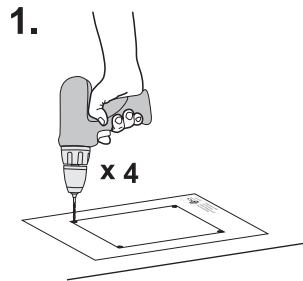


Installation:

Cutout:



(See included template)



Installation: Recommended method

