

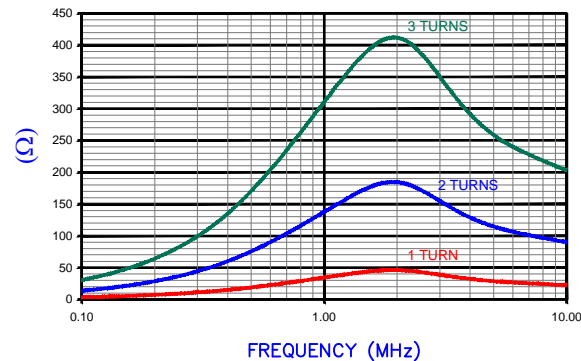
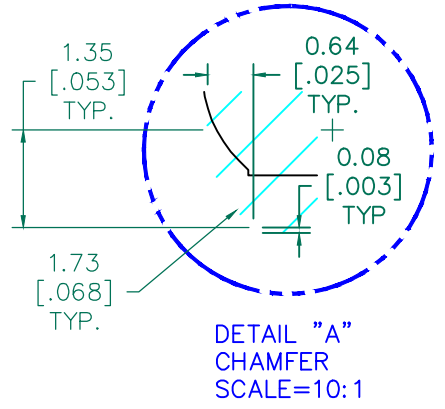
RoHS

SCALE DRAWING 1:1

LFB180100-000

SEE DETAIL "A"

SECTION A-A
Z vs. FREQUENCY
1 TURN, 2, AND 3 TURNS
(REF. ONLY)



AGILENT E4991A RF Impedance/Material Analyzer
HP 16092A Test Fixture REF 2491

IMPEDANCE (Z) NET^{SEE NOTE 1}

FREQUENCY	500 KHz	1 MHz	5 MHz
NOMINAL (REF.) 1 TURN	18 Ω	31 Ω	29 Ω
MINIMUM (SPEC.) 1 TURN	- Ω	23 Ω	- Ω
NOMINAL (REF.) 2 TURNS	75 Ω	138 Ω	115 Ω
NOMINAL (REF.) 3 TURNS	170 Ω	310 Ω	260 Ω

TEST CRITERIA

METER HP4396A OR EQUIVALENT
FIXTURE HP16092A OR EQUIVALENT

NOTES: UNLESS OTHERWISE SPECIFIED

- NET IMPEDANCE IS IMPEDANCE OF THE FERRITE CORE ONLY. ALL IMPEDANCE CONTRIBUTION FROM TEST WIRE AND FIXTURES HAS BEEN REMOVED.
- COSMETIC SPECIFICATION REFER TO WI-QA-038.

FERRITE CORE DIMENSIONS (SPEC):

A	18.10 [.713]	±	0.38 [.015]
B	10.00 [.394]	±	0.38 [.015]
C	10.00 [.394]	±	0.25 [.010]

WEIGHT/1000 8.58 kgs [18.92 Lbs]

DIMENSIONS ARE IN mm [INCHES].				This print is the property of Laird Tech. and is loaned in confidence subject to return upon request and with the understanding that no copies shall be made without the written consent of Laird Tech. All rights to design or invention are reserved.				
REV	DESCRIPTION	DATE	INT					
F	UPDATE THE LOGO	06/19/15	QIU	PROJECT/PART NUMBER: LFB180100-000		REV F	PART TYPE: FERRITE CORE	DRAWN BY: TMB
E	UPDATE PART WEIGHT	09/03/08	TMB	DATE:	09/27/02	SCALE:	2.5:1	MATERIAL:
D	UPDATE COMPANY LOGO	07/13/08	TMB	CAD #	LFB180100-000-F	TOOL #	B0709	LF
C	REMOVE MIN SPEC @ 500 KHz	02/10/06	TMB					
B	ADJUST TOLERANCES ADD TEST REF #	12/27/04	JRK					
A	ORIGINAL DRAFT	09/27/02	TMB					
REV	DESCRIPTION	DATE	INT					