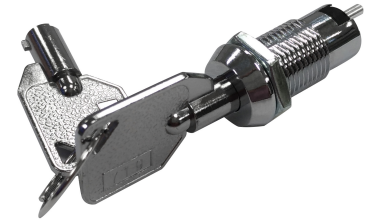


Keylock Switch

Features

- Silver plated contacts and terminals
- Positive detent
- RoHS / REACH compliant
- Hex nut mounted
- 100 combinations available



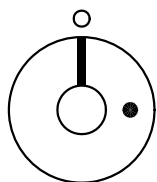
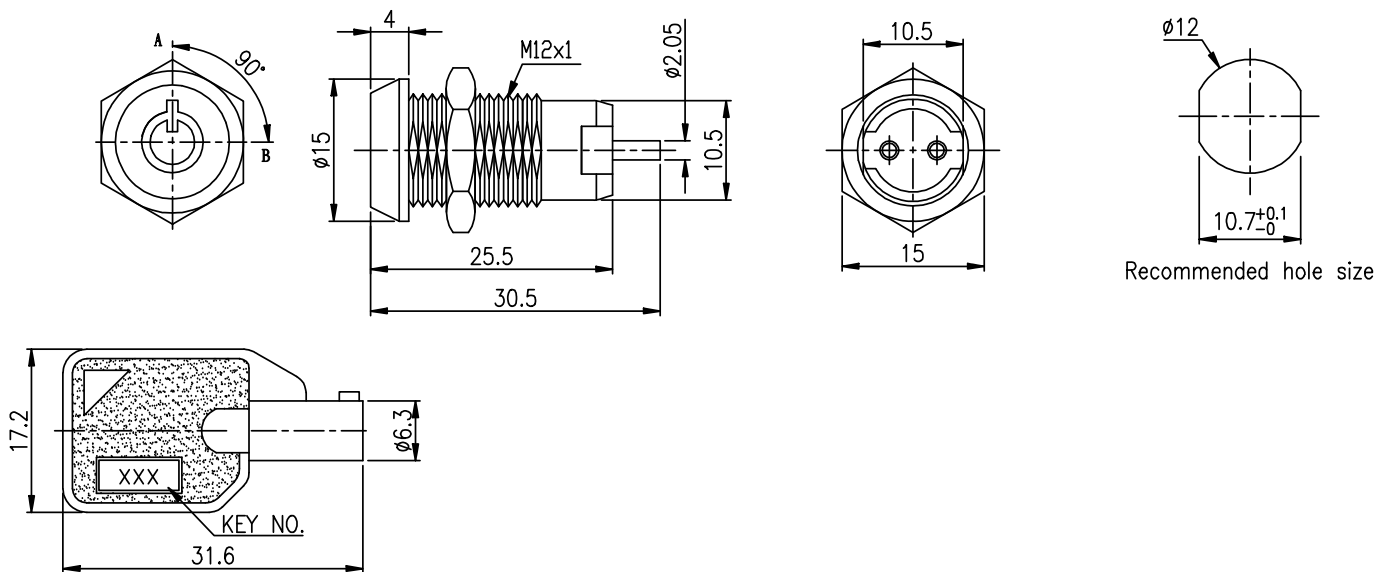
Specification

Switching Configuration	1NO
Current Rating	200 mA
Contact Voltage	125 VAC
Number of Positions	2 Positions (OFF-ON)
Number of Terminals	2 Terminals
Contact Resistance	50 mOhm max.
Insulation Resistance	100 MOhm min. (500 VDC)
Dielectric Strength	800 VAC 1 min.

Material Specification

Housing and Cylinder	Die Cast Zinc Alloy, Nickel Plated
Keys	Zinc Alloy, Nickel Plated
Terminals	Silver Plated
Contacts	Silver Plated

Drawing



KEY-PULL FIGURES

- - Off Position
- | - Indicates key-pull
- - Indicates No key-pull

Fig. 1

Art. Nr.
RND 210-00797