

- 1
- 2
- 3
- 4
- 5
- 6
- 7
- 8
- 9
- 10
- 11
- 12
- 13
- 14
- 15
- 16
- 17
- 18

## MATERIAL

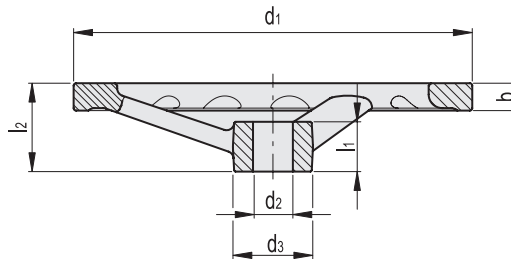
Cast stainless steel, turned rim, sandblasted matte surface.

## STANDARD EXECUTIONS

- **GN 949-A:** without handle.
  - **GN 949-D:** with revolving handle in phenolic based (PF) Duroplast, black colour, glossy finish. AISI 304 stainless steel pin.
- Hole index:
- **B:** H8 reamed hole.
  - **K:** H8 reamed hole and keyway in compliance with DIN 6885/1 tolerance P9 (see page A-15).



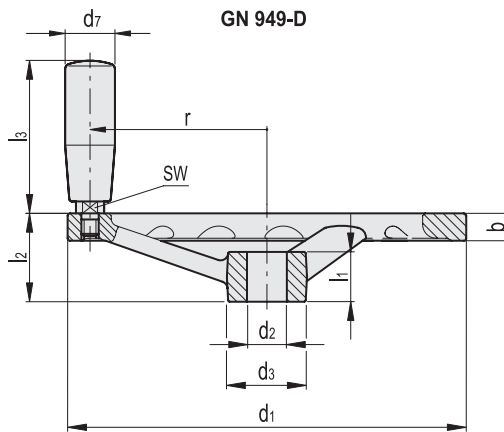
GN 949-A



## GN 949-A



Code	Description	d1	d2 H8	d3	b	l1	l2	Spokes no.	⚖
GN.32011	GN 949-100-B10-A	100	10	20	7	15	27.5	3	222
GN.32016	GN 949-100-B12-A	100	12	20	7	15	27.5	3	220
GN.32021	GN 949-125-B12-A	125	12	24	9	16	28.5	3	430
GN.32026	GN 949-125-B14-A	125	14	24	9	16	28.5	3	430
GN.32031	GN 949-140-B14-A	140	14	28	10	18	30.5	3	610
GN.32036	GN 949-140-B16-A	140	16	28	10	18	30.5	3	610
GN.32041	GN 949-160-B14-A	160	14	31	11	20	35.5	3	825
GN.32046	GN 949-160-B16-A	160	16	31	11	20	35.5	3	825
GN.32001	GN 949-200-B18-A	200	18	23	14	23	39	3	1142
GN.32003	GN 949-200-B20-A	200	20	36	14	23	39	3	1400
GN.32013	GN 949-100-K10-A	100	10	20	7	15	27.5	3	210
GN.32018	GN 949-100-K12-A	100	12	20	7	15	27.5	3	210
GN.32023	GN 949-125-K12-A	125	12	24	9	16	28.5	3	420
GN.32028	GN 949-125-K14-A	125	14	24	9	16	28.5	3	420
GN.32033	GN 949-140-K14-A	140	14	28	10	18	30.5	3	600
GN.32038	GN 949-140-K16-A	140	16	28	10	18	30.5	3	600
GN.32043	GN 949-160-K14-A	160	14	31	11	20	35.5	3	815
GN.32048	GN 949-160-K16-A	160	16	31	11	20	35.5	3	815
GN.32005	GN 949-200-K18-A	200	18	26	14	23	39	3	1132
GN.32007	GN 949-200-K20-A	200	20	36	14	23	39	3	1390



GN 949-D

INOX STAINLESS STEEL

Code	Description	d1	d2 H8	d3	b	l1	l2	l3	r	sw	d7	Spokes no.	⚖
GN.32012	GN 949-100-B10-D	100	10	20	7	15	27.5	45	44	9	18	3	260
GN.32017	GN 949-100-B12-D	100	12	20	7	15	27.5	45	44	9	18	3	260
GN.32022	GN 949-125-B12-D	125	12	24	9	16	28.5	55	55	9	21	3	440
GN.32027	GN 949-125-B14-D	125	14	24	9	16	28.5	55	55	9	21	3	440
GN.32032	GN 949-140-B14-D	140	14	28	10	18	30.5	71	62	11	23	3	680
GN.32037	GN 949-140-B16-D	140	16	28	10	18	30.5	71	62	11	23	3	680
GN.32042	GN 949-160-B14-D	160	14	31	11	20	35.5	71	71	11	23	3	900
GN.32047	GN 949-160-B16-D	160	16	31	11	20	35.5	71	71	11	23	3	900
GN.32002	GN 949-200-B18-D	200	18	36	14	23	39	71	90	11	23	3	1544
GN.32004	GN 949-200-B20-D	200	20	36	14	23	39	71	90	11	23	3	1495
GN.32014	GN 949-100-K10-D	100	10	20	7	15	27.5	45	44	9	18	3	255
GN.32019	GN 949-100-K12-D	100	12	20	7	15	27.5	45	44	9	18	3	255
GN.32024	GN 949-125-K12-D	125	12	24	9	16	28.5	55	55	9	21	3	430
GN.32029	GN 949-125-K14-D	125	14	24	9	16	28.5	55	55	9	21	3	430
GN.32034	GN 949-140-K14-D	140	14	28	10	18	30.5	71	62	11	23	3	670
GN.32039	GN 949-140-K16-D	140	16	28	10	18	30.5	71	62	11	23	3	670
GN.32044	GN 949-160-K14-D	160	14	31	11	20	35.5	71	71	11	23	3	890
GN.32049	GN 949-160-K16-D	160	16	31	11	20	35.5	71	71	11	23	3	890
GN.32006	GN 949-200-K18-D	200	18	36	14	23	39	71	90	11	23	3	1534
GN.32008	GN 949-200-K20-D	200	20	36	14	23	39	71	90	11	23	3	1485



Operating elements