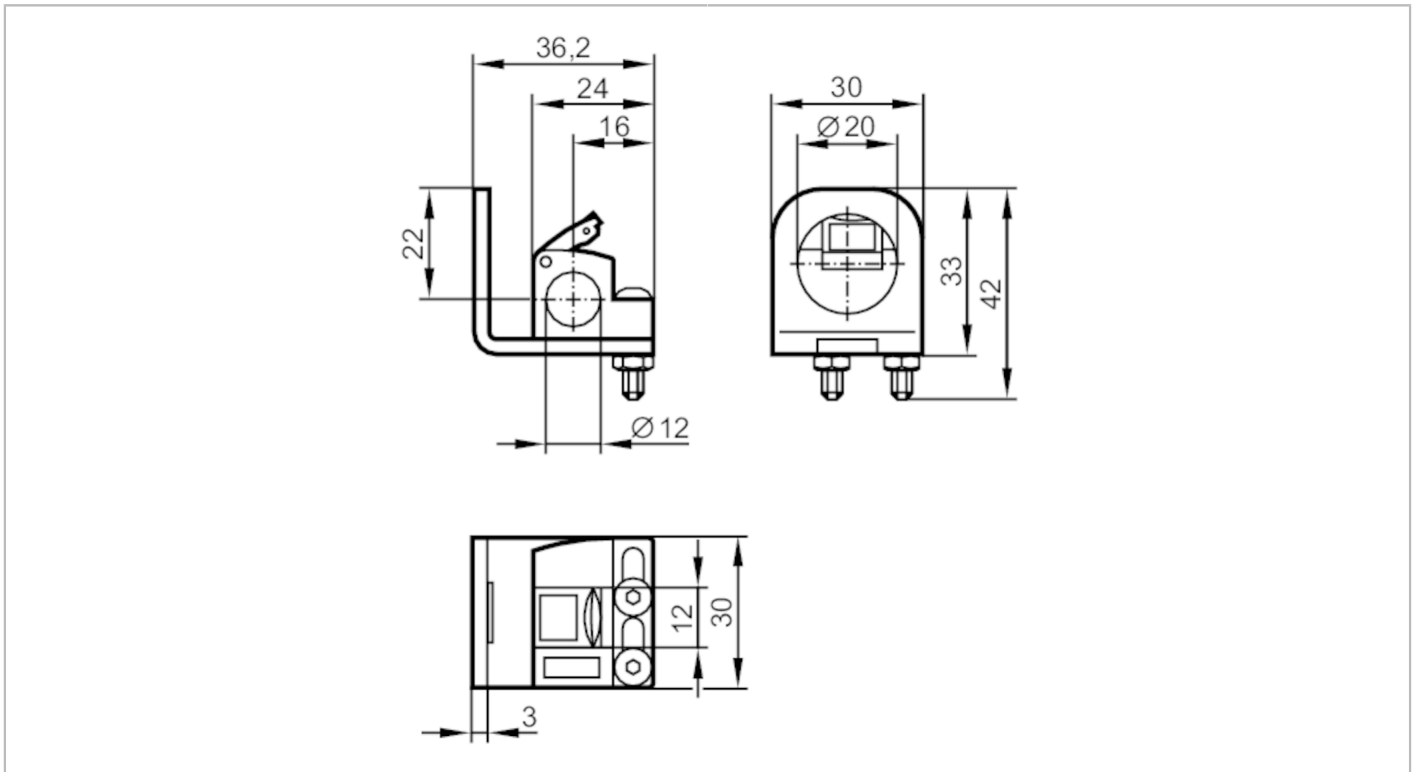


# E21144



## Angle bracket with mounting clamp

MOUNTING BRACKET+CLAMP M12



### Application

Design clamp mounting, with end stop

### Mechanical data

|                 |   |      |
|-----------------|---|------|
| Weight          | [g]   | 59   |
| Dimensions      | [mm]  | Ø 12 |
| Inside diameter | [mm]  | 18   |
| Materials       | fixture: stainless steel (1.4301 / 304); PC black |      |

### Remarks

Pack quantity 1 pcs.