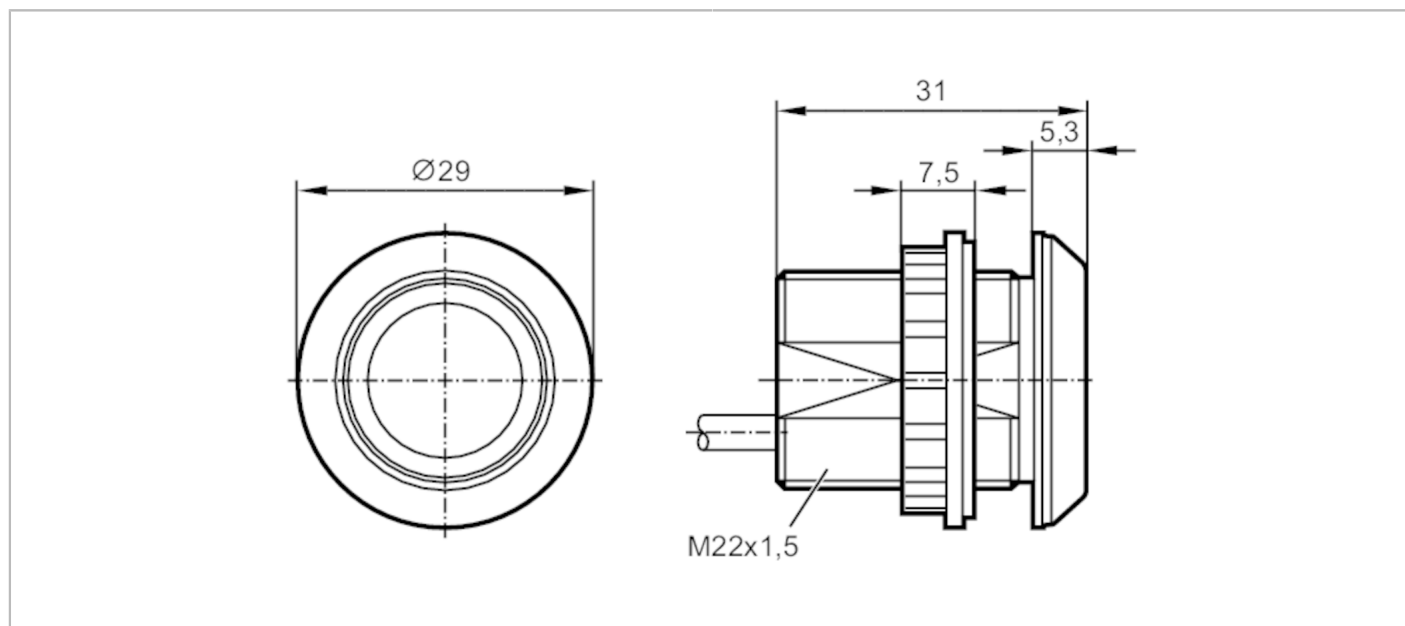


KT5112



Capacitive illuminated pushbutton

KTMDF-KGRBPKG/US



Product characteristics		
Electrical design		PNP
Output function		normally open
Dimensions	[mm]	Ø 29 / L = 31
Application		
Operating principle		dynamic
Electrical data		
Operating voltage	[V]	12...30 DC
Current consumption	[mA]	30
Protection class		III
Reverse polarity protection		yes
Max. power-on delay time	[ms]	500
Outputs		
Electrical design		PNP
Output function		normally open
Permanent current rating of switching output DC	[mA]	200
Short-circuit protection		yes
Overload protection		yes
Length of output signal	[ms]	300
Response times		
Response time	[ms]	35
Operating conditions		
Ambient temperature	[°C]	-40...85
Protection		IP 65; IP 67; IP 69K; (on the front)

KT5112



Capacitive illuminated pushbutton

KTMDF-KGRBPKG/JS

Tests / approvals

EMC	IEC 61000-4
-----	-------------

Mechanical data

Weight	[g]	55
Dimensions	[mm]	Ø 29 / L = 31
Materials		PA 6.6-GF30 black; active face: PA Grilamid TR 90UV

Displays / operating elements

Display	switching status	1 x LED, red
	function	1 x LED, green can be triggered

Accessories

Accessories (supplied)	lock nuts: 1
	Gasket: 1
Accessories (optional)	symbol disc

Remarks

Pack quantity	1 pcs.
---------------	--------

Electrical connection - plug

Cable: 0.3 m, PUR

Connector: 1 x M12



Connection

