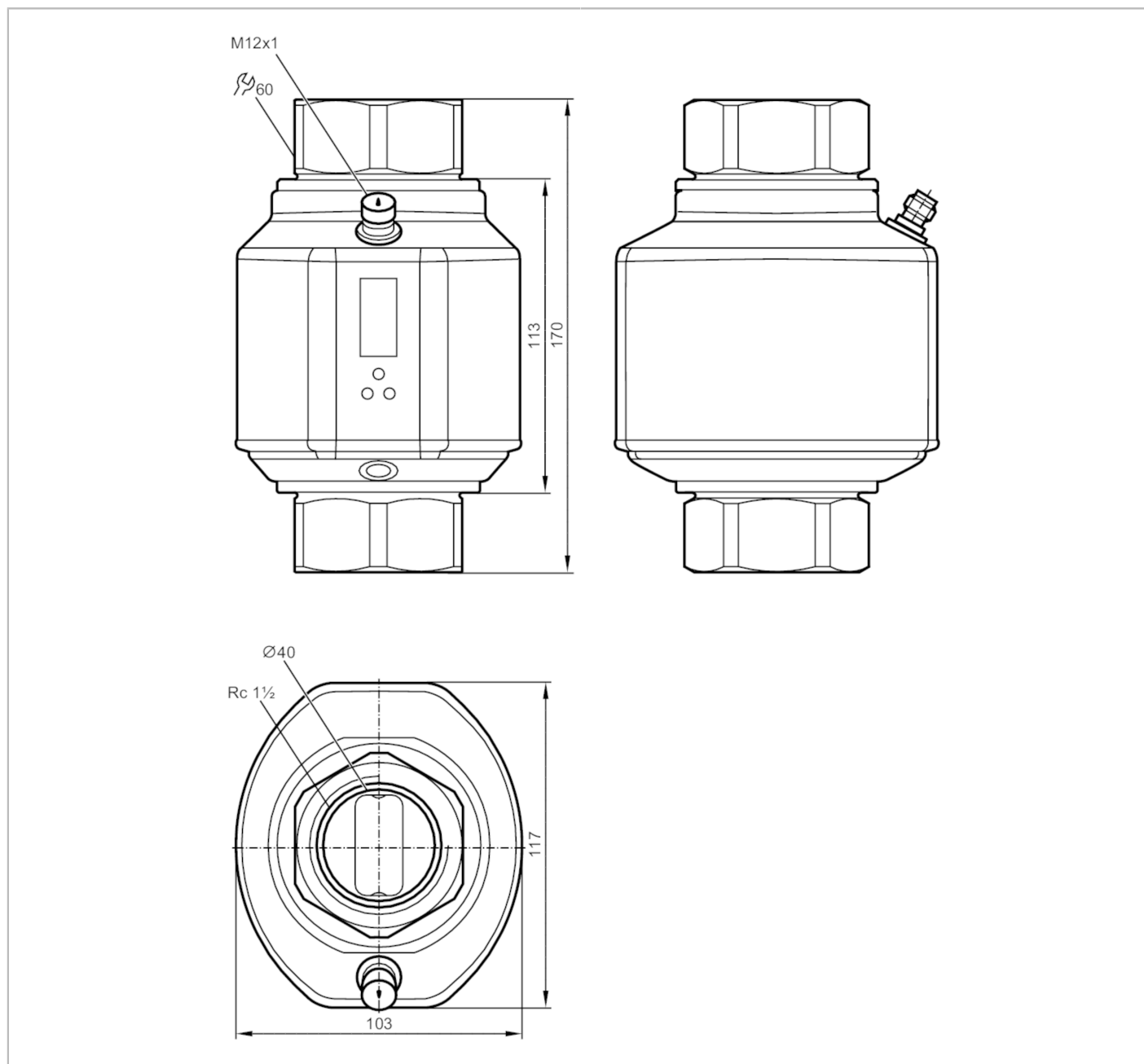


# SM9400



## Magnetic-inductive flow meter

SMK32XGXFRKG/US-100



### Product characteristics

Number of inputs and outputs	Number of digital outputs: 2; Number of analogue outputs: 1
Process connection	threaded connection Rc 1 1/2 internal thread DN40
Temperature monitoring	
Measuring range	[°C] -20...80

# SM9400



## Magnetic-inductive flow meter

SMK32XGXFRKG/US-100

Application	
Special feature	Gold-plated contacts
Application	totaliser function; empty pipe detection; for industrial applications
Media	conductive liquids; water; hydrous media
Note on media	conductivity: $\geq 20 \mu\text{S/cm}$ viscosity: $< 70 \text{ mm}^2/\text{s}$ (40 °C)
Medium temperature [°C]	-10...70
Pressure rating [bar]	16
Electrical data	
Operating voltage [V]	18...32 DC; (according to EN 50178 SELV/PELV)
Current consumption [mA]	$< 150$
Protection class	III
Reverse polarity protection	yes
Power-on delay time [s]	5
Inputs / outputs	
Number of inputs and outputs	Number of digital outputs: 2; Number of analogue outputs: 1
Inputs	
Inputs	counter reset
Outputs	
Total number of outputs	2
Output signal	switching signal; analogue signal; pulse signal; frequency signal; IO-Link; (configurable)
Electrical design	PNP/NPN
Number of digital outputs	2
Output function	normally open / normally closed; (parameterisable)
Max. voltage drop switching output DC [V]	2
Permanent current rating of switching output DC [mA]	250; (per output)
Number of analogue outputs	1
Analogue current output [mA]	4...20; (scalable)
Max. load [Ω]	500
Analogue voltage output [V]	0...10; (scalable)
Min. load resistance [Ω]	2000
Pulse output	flow rate meter
Short-circuit protection	yes
Type of short-circuit protection	pulsed
Overload protection	yes
Frequency of the output [Hz]	0.1...10000

# SM9400



## Magnetic-inductive flow meter

SMK32XGXFRKG/US-100

Measuring/setting range		
Measuring range	5...300 l/min	0.3...18 m³/h
Display range	-360...360 l/min	-21.6...21.6 m³/h
Resolution	0.5 l/min	0.02 m³/h
Set point SP	6.5...300 l/min	0.4...18 m³/h
Reset point rP	5...298.5 l/min	0.3...17.9 m³/h
Analogue start point ASP	0...240 l/min	0...14.4 m³/h
Analogue end point AEP	60...300 l/min	3.6...18 m³/h
Low flow cut-off LFC	< 15 l/min	< 0.9 m³/h
In steps of	0.5 l/min	0.02 m³/h
Measuring dynamics	1:60	
Volumetric flow quantity monitoring		
Pulse value	0.0001...300 x 10³ m³	
In steps of	0.0001 m³	
Pulse length [s]	0,016...2	
Temperature monitoring		
Measuring range [°C]	-20...80	
Display range [°C]	-40...100	
Resolution [°C]	0.2	
Set point SP [°C]	-19.2...80	
Reset point rP [°C]	-19.6...79.6	
Analogue start point [°C]	-20...60	
Analogue end point [°C]	0...80	
In steps of [°C]	0.2	
Accuracy / deviations		
Flow monitoring		
Accuracy (in the measuring range)	± (0,8 % MW + 0,5 % MEW)	
Repeatability	± 0,2% MEW	
Temperature monitoring		
Temperature drift	± 0,0333 °C / K	
Accuracy [K]	± 1 (25 °C; Q > 15 l/min)	
Response times		
Flow monitoring		
Response time [s]	0.35; (dAP = 0)	
Delay time programmable dS, dr [s]	0...50	
Damping for the switching output dAP [s]	0...5	
Temperature monitoring		
Dynamic response T05 / T09 [s]	T09 = 3 (Q > 15 l/min)	
Software / programming		
Parameter setting options	Flow monitoring; quantity meter; Preset counter; Temperature monitoring; hysteresis / window; normally open / normally closed; switching logic; current/voltage/frequency/pulse output; start-up delay; display can be deactivated; Display unit; empty pipe detection	

# SM9400



## Magnetic-inductive flow meter

SMK32XGXFRKG/US-100

Interfaces	
Communication interface	IO-Link
Transmission type	COM2 (38,4 kBaud)
IO-Link revision	1.1
SDCI standard	IEC 61131-9 CDV
IO-Link device ID	391d / 00 01 87h
Profiles	Smart Sensor: Process Data Variable; Device Identification
SIO mode	yes
Required master port type	A
Process data analogue	3
Process data binary	2
Min. process cycle time [ms]	5

Operating conditions	
Ambient temperature [°C]	-10...60
Storage temperature [°C]	-25...80
Protection	IP 65; IP 67

Tests / approvals		
EMC	DIN EN 60947-5-9	
Shock resistance	DIN EN 60068-2-27	20 g (11 ms)
Vibration resistance	DIN EN 60068-2-6	5 g (10...2000 Hz)
MTTF [years]	171	
UL approval	UL Approval no.	I008
Pressure Equipment Directive	Sound engineering practice; can be used for group 2 fluids; group 1 fluids on request	

Mechanical data	
Weight [g]	2750
Materials	stainless steel (1.4404 / 316L); stainless steel (1.4571/316Ti); PEI; FKM; PBT-GF20; TPE-U
Materials (wetted parts)	stainless steel (1.4404 / 316L); stainless steel (1.4571/316Ti); PEEK; FKM
Process connection	threaded connection Rc 1 1/2 internal thread DN40

Displays / operating elements		
Display	Display unit	6 x LED, green (l/min, m <sup>3</sup> /h, l, m <sup>3</sup> , 10 <sup>3</sup> , °C)
	switching status	2 x LED, yellow
	measured values	alphanumeric display, 4-digit
	programming	alphanumeric display, 4-digit

Accessories	
Accessories (supplied)	Label

Remarks	
Remarks	MW = measured value MEW = Final value of the measuring range
Pack quantity	1 pcs.

Electrical connection	
Connector: 1 x M12; Contacts: gold-plated	

# SM9400

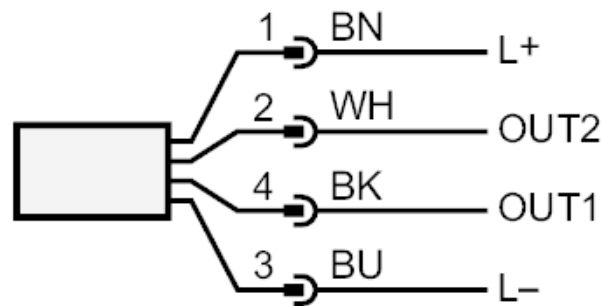


## Magnetic-inductive flow meter

SMK32XGXFRKG/US-100



### Connection



- OUT1: colours to DIN EN 60947-5-2  
switching output empty pipe detection  
switching output volumetric flow quantity monitoring  
frequency output volumetric flow quantity monitoring  
Pulse output quantity meter  
signal output Preset counter  
IO-Link

OUT2: switching output empty pipe detection  
switching output volumetric flow quantity monitoring  
switching output Temperature monitoring  
analogue output volumetric flow quantity monitoring  
analogue output Temperature monitoring  
input counter reset

Core colours :

BK = black  
BN = brown  
BU = blue  
WH = white

# SM9400

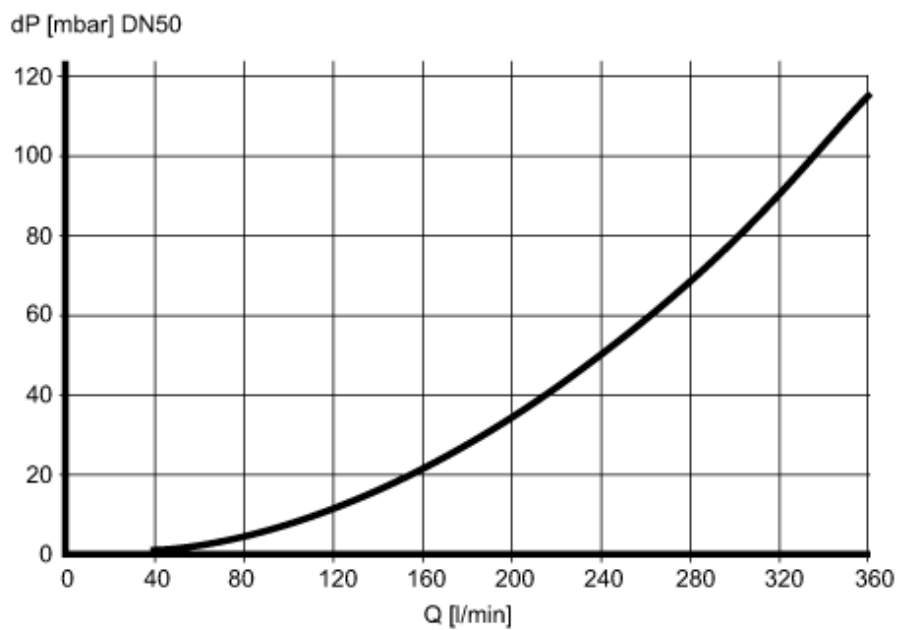


## Magnetic-inductive flow meter

SMK32XGXFRKG/US-100

### Diagrams and graphs

Pressure loss



dP Pressure loss

Q volumetric flow quantity