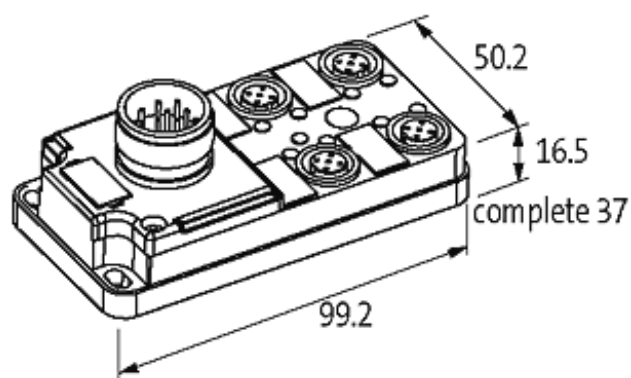


MVP12-V, 4XM12, 4POLE, M23 12POL. CON.

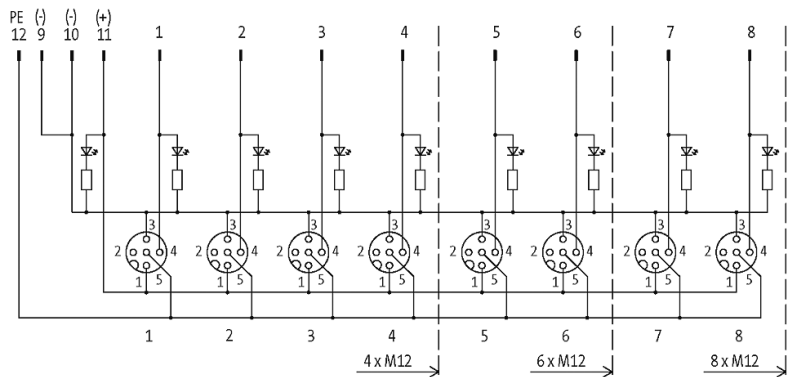
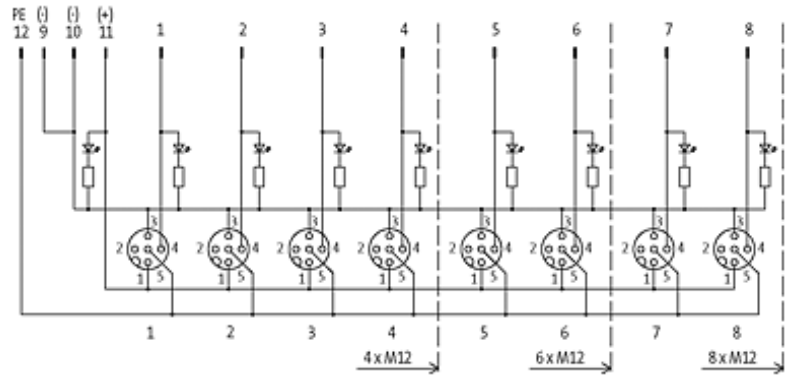
Connector exit frontside

4-way, 4-pole
M23 plug connection
12-pole used
with LED for digital PNP-signals 24 V DC

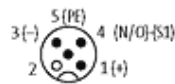
Plastic housings with good resistance against chemicals and oils. The resistance to aggressive media should be individually tested for your application. Further details on request.

[Link to Product](#)**Illustration**

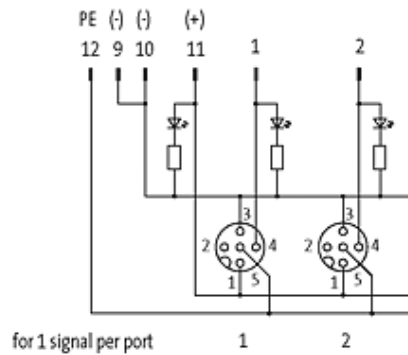
stay connected

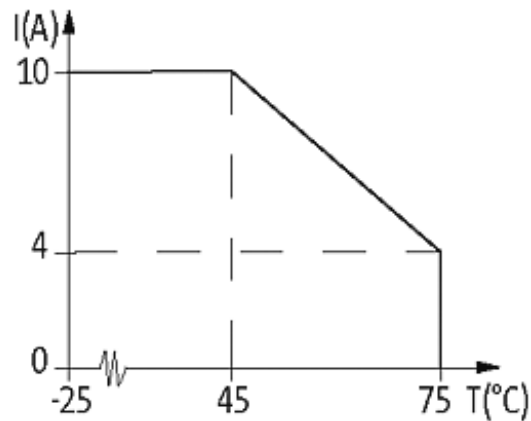


M12-Females 4-pole



M23-Plug





Product may differ from Image

Approvals



Technical Data

Operating voltage	24 V DC
Signal per port	1 - (31-32)
Operating current per contact	max. 4 A
Total current	max. 10 A
Housing	Plastic, flame retardant
Protection	IP67 inserted and tightened (EN 60529)
Locking of ports	Screw thread M12 × 1 mm

General data

Temperature range	-20...+80 °C
Dimensions H × W × D	99.2×50.2×16.5 mm

Contact layout

Contact 1	(+)
Contact 3	(-)
Contact 4	(NO)/(S1)
Contact 5	(Earth)
LED display	LED (green): Power / LED (yellow): (S1)

Commercial data

country of origin	DE
customs tariff number	85369010
minimum order quantity	1