



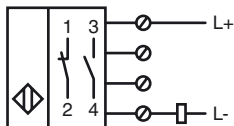
Model Number

NCB50-FP-Z2-P1

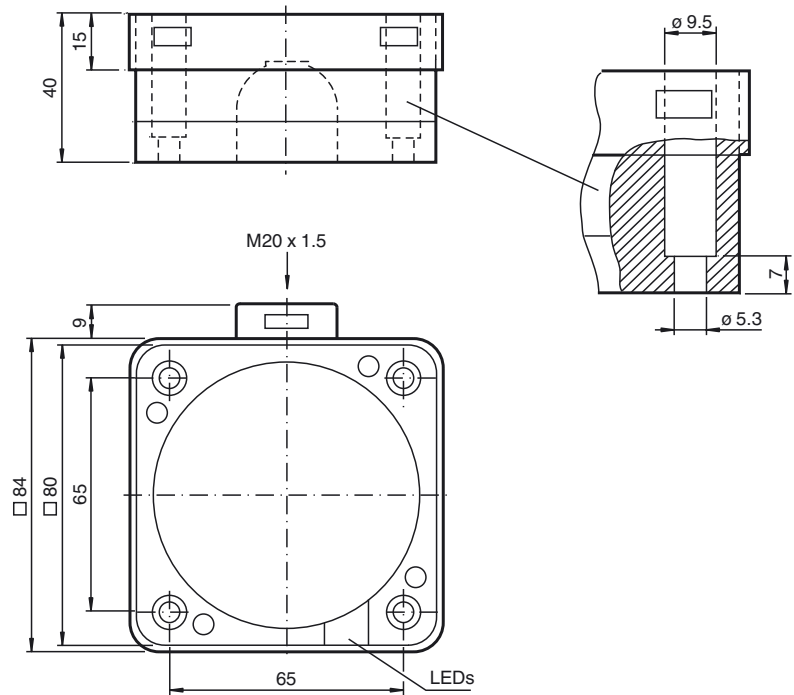
Features

- 50 mm flush
- 2-wire DC

Connection



Dimensions



Technical Data

General specifications

Switching element function		DC	NO/NC
Rated operating distance	s_n	50 mm	
Installation		flush	
Output polarity		DC	
Assured operating distance	s_a	0 ... 40.5 mm	
Reduction factor r_{AI}		0.4	
Reduction factor r_{Cu}		0.35	
Reduction factor r_{304}		0.8	

Nominal ratings

Operating voltage	U_B	10 ... 60 V DC
Switching frequency	f	0 ... 80 Hz
Hysteresis	H	0 ... 20 typ. 5 %
Reverse polarity protection		reverse polarity protected
Short-circuit protection		pulsing
Voltage drop	U_d	≤ 3.8 V
Operating current	I_L	2 ... 200 mA
Lowest operating current	I_m	2 mA
Off-state current	I_r	≤ 0.6 mA
Time delay before availability	t_v	≤ 300 ms
Switching state indication		LED, yellow

Ambient conditions

Ambient temperature	-25 ... 70 °C (-13 ... 158 °F)
Storage temperature	-25 ... 85 °C (-13 ... 185 °F)

Mechanical specifications

Connection type	screw terminals
Core cross-section	≤ 2.5 mm ²
Housing material	PBT
Sensing face	PBT
Housing base	PBT
Protection degree	IP68
Protection class	II

Compliance with standards and directives

Standard conformity	
Standards	EN 60947-5-2:2007 IEC 60947-5-2:2007

Approvals and certificates

UL approval	cULus Listed, General Purpose
CSA approval	cCSAus Listed, General Purpose

Release date: 2013-04-17 16:11 Date of issue: 2013-04-17 182526_eng.xml