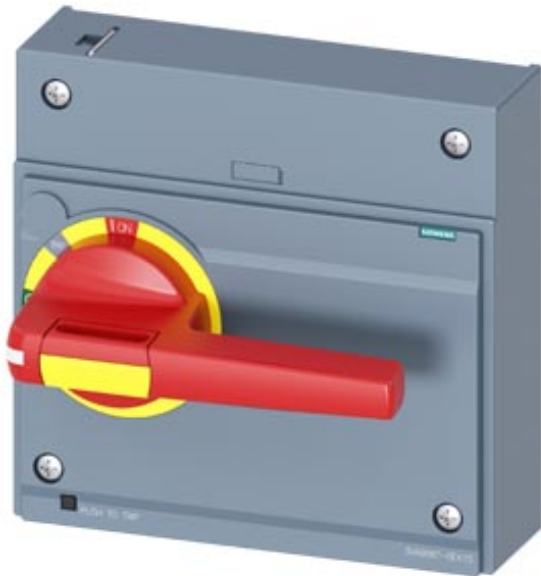


FRONT MOUNTED ROTARY OPERATOR EMERGENCY-OFF IEC
IP30/40 ACCESSORY FOR 3VA1/2 1000



| Model | |
|-----------------------|----------------------------------|
| Product brand name | SENTRON |
| Product designation | Accessories |
| Design of the product | Front rotary operating mechanism |
| accessories | FRONT ROTARY OPERATING MECHANISM |

Certificates

| General Product Approval | EMC | Declaration of Conformity | other |
|--------------------------|-----|---------------------------|-------|
|--------------------------|-----|---------------------------|-------|



[Miscellaneous](#)

Further information

Information- and Downloadcenter (Catalogs, Brochures,...)

<http://www.siemens.com/lowvoltage/catalogs>

Industry Mall (Online ordering system)

<https://mall.industry.siemens.com/mall/en/en/Catalog/product?mlfb=3VA9687-0EK15>

Service&Support (Manuals, Certificates, Characteristics, FAQs,...)

<https://support.industry.siemens.com/cs/ww/en/ps/3VA9687-0EK15>

Image database (product images, 2D dimension drawings, 3D models, device circuit diagrams, ...)

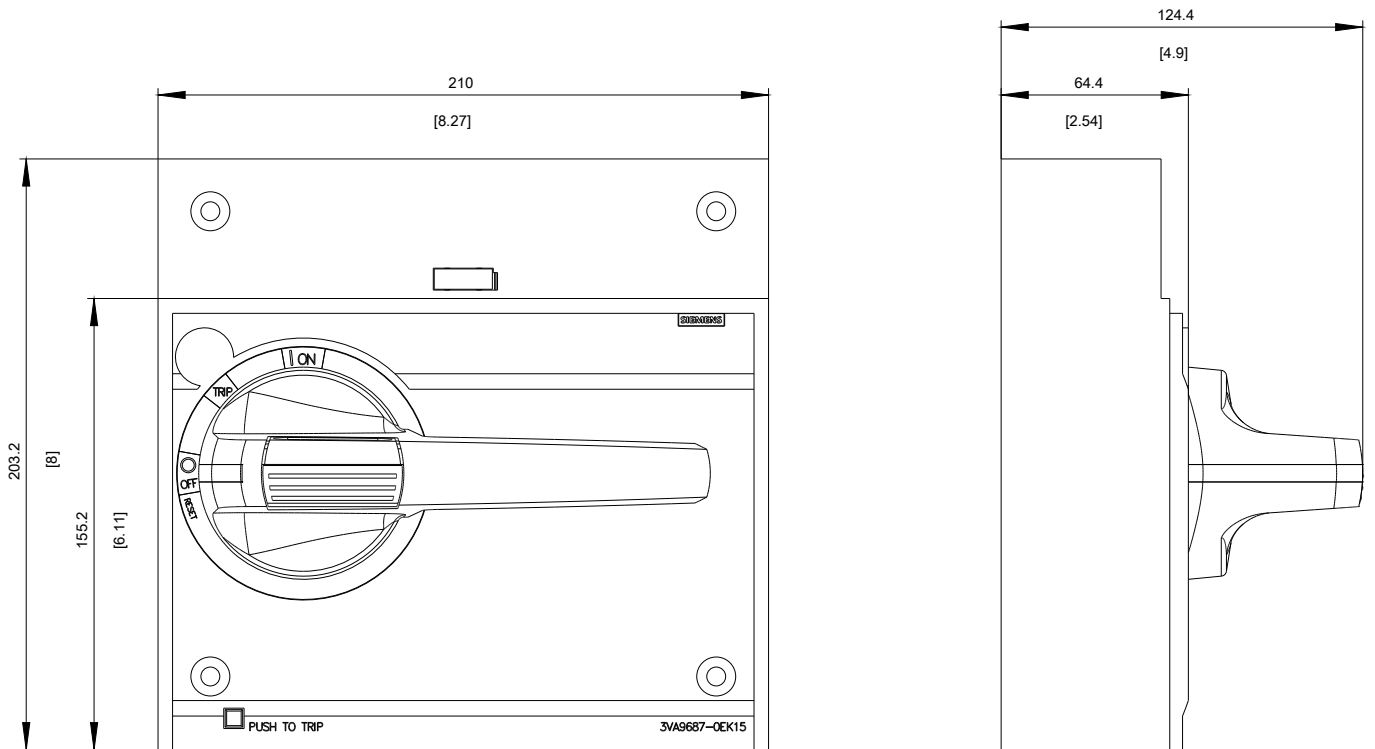
http://www.automation.siemens.com/bilddb/cax_en.aspx?mlfb=3VA9687-0EK15

CAX-Online-Generator

<http://www.siemens.com/cax>

Tender specifications

<http://www.siemens.com/specifications>



last modified:

08/28/2017