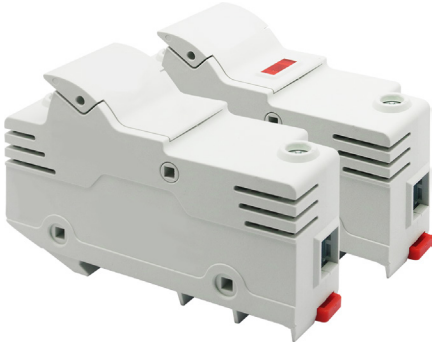


RoHS
Compliant



Description

MP011842 touch safe holders are designed for 22mm × 58mm cylindrical fuse links, especially for use with photovoltaic equipment. MP011842 touch safe holder has an indicator light. It will light up when the circuit is interrupted.

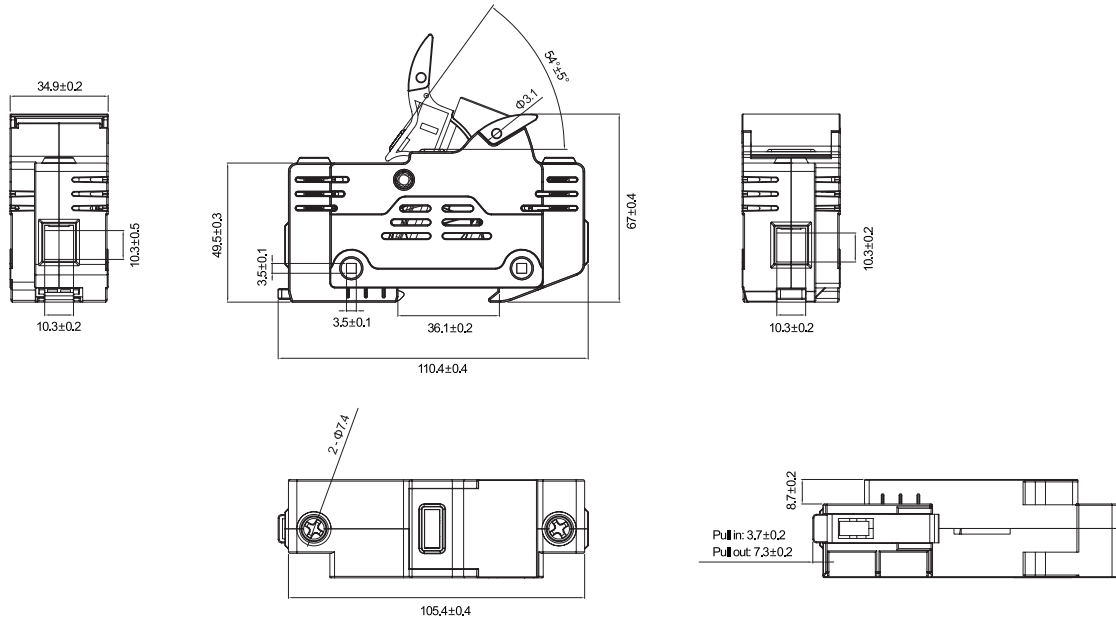
Features

- MP011842 touch safe fuse holders are designed for all standard 22mm × 58mm PV fuses such as series and other cylindrical fuse up to Ø22 × 58mm, with current ratings up to 80 A at 1500V DC, it can effectively protect 1500V DC circuits and equipment in photovoltaic applications.

Specifications

Rated Voltage	: 1500V DC
Rated Current	: 80A
Rated Breaking Capacity	: 10kA
Wire Range	: 11-1 AWG (4mm ² to 40mm ²)
Max. Torque	: 4N.m
Maximum Heat Dissipation	: 8W
Operation Temperature	: -40°C to 150°C
Material Flammability	: UL 94 V0
Mounting	: DIN Rail mounting
Standards	: UL 4248-19; EN 60947-3
Approvals	: UL (File: E486822) TUV (File: R50460275)

Dimensions



Dimensions : Millimetres

Part Number Table

Description	Part Number
22mm × 58mm, Touch Safe Holder, 1500V	MP011842

Important Notice : This data sheet and its contents (the "Information") belong to the members of the AVNET group of companies (the "Group") or are licensed to it. No licence is granted for the use of it other than for information purposes in connection with the products to which it relates. No licence of any intellectual property rights is granted. The Information is subject to change without notice and replaces all data sheets previously supplied. The Information supplied is believed to be accurate but the Group assumes no responsibility for its accuracy or completeness, any error in or omission from it or for any use made of it. Users of this data sheet should check for themselves the Information and the suitability of the products for their purpose and not make any assumptions based on information included or omitted. Liability for loss or damage resulting from any reliance on the Information or use of it (including liability resulting from negligence or where the Group was aware of the possibility of such loss or damage arising) is excluded. This will not operate to limit or restrict the Group's liability for death or personal injury resulting from its negligence. Multicomp Pro is the registered trademark of Premier Farnell Limited 2019.

Newark.com/multicomp-pro
 Farnell.com/multicomp-pro
 sg.element14.com/b/multicomp-pro