

Knurled Thumb Screws • plastic

24830.0267

Product Description



Material

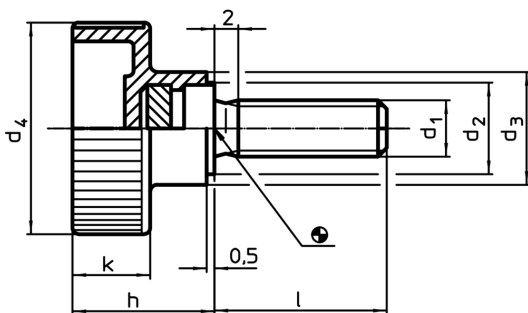
Handle

- Thermoplastic PA, black

Screw

- Stainless steel 1.4567

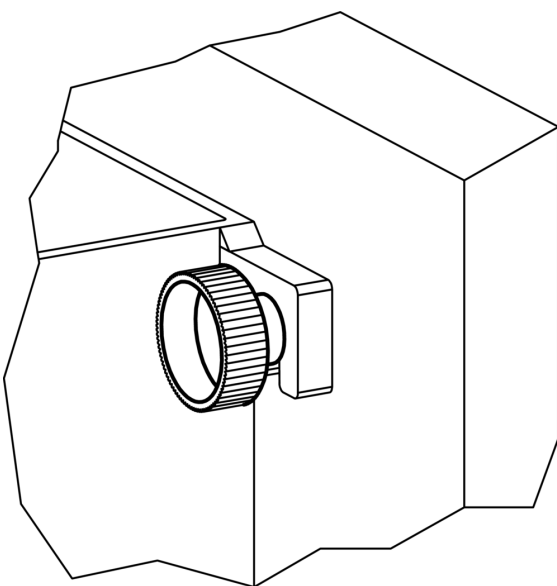
Drawing



Order information

Dimensions							Temperature		Weight [g]	Art. No.
d ₁	l	d ₂	d ₃	d ₄	h	k	min.	max.		
[mm]							[°C]			
stainless steel										
M8	40	14	16	30	19.5	11	-30	80	20	24830.0267

Application example



Compliance

RoHS compliant

Compliant according to Directive 2011/65/EU and Directive 2015/863

Does not contain SVHC substances

No SVHC substances with more than 0.1% w/w contained - SVHC list [REACH] as of 10.06.2022

Does not contain Proposition 65 substances

No Proposition 65 substances included
<https://www.P65Warnings.ca.gov/>

Free from Conflict Minerals

This product does not contain any substances designated as "conflict minerals" such as tantalum, tin, gold or tungsten from the Democratic Republic of Congo or adjacent countries.