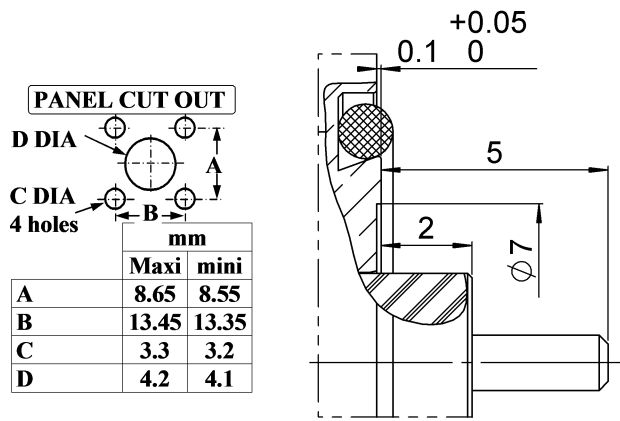
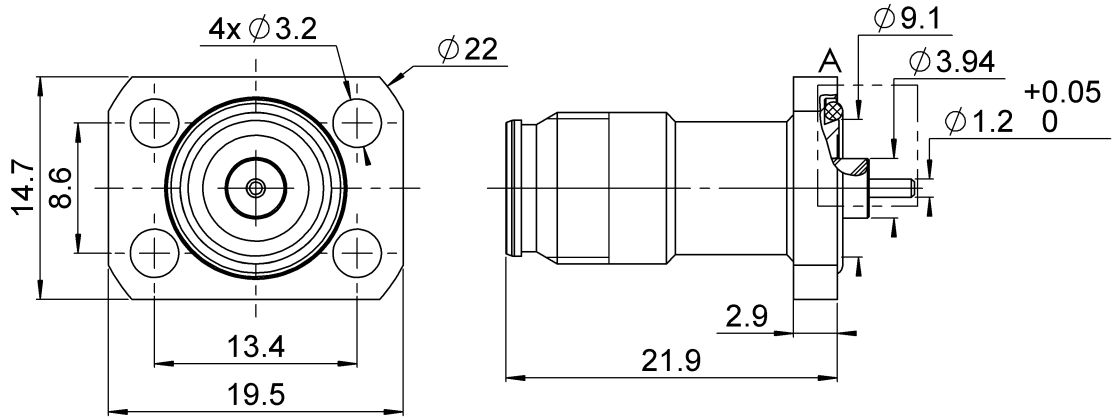


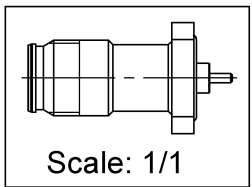
PAGE 1/2	ISSUE 01-03-17B	SERIES NEX10	PART NUMBER R180540007
----------	-----------------	--------------	------------------------



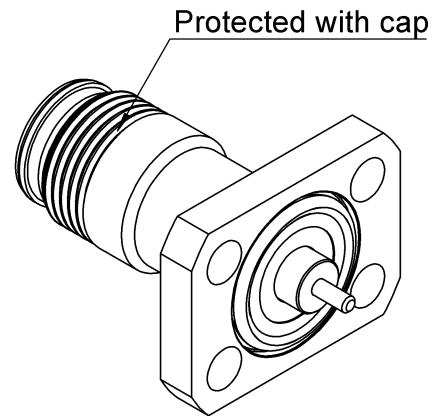
PANEL CUT OUT

D DIA
C DIA
4 holes

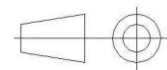
	mm	
	Maxi	mini
A	8.65	8.55
B	13.45	13.35
C	3.3	3.2
D	4.2	4.1



DETAIL A
SCALE 6 : 1



All dimensions are in mm.



COMPONENTS	MATERIALS	PLATING (µm)
Body	BRASS.	BBR
Center contact	BERYLIUM COPPER	SILVER
Outer contact		
Insulator	PTFE	
Gasket	SILICONE RUBBER	
Others parts		
-	-	-
-	-	-

PAGE 2/2	ISSUE 01-03-17B	SERIES NEX10	PART NUMBER R180540007
----------	------------------------	---------------------	-------------------------------

PACKAGING

Standard	Unit	Other
50	Contact us	Contact us

ELECTRICAL CHARACTERISTICS

Impedance		50	Ω
Frequency		0-20	GHz
VSWR	1.02*	+	0.015 x F(GHz) Maxi
Insertion loss		0.05*	√F(GHz) dB Maxi
RF leakage	- (NA	- F(GHz)) dB Maxi
Voltage rating		500	Veff Maxi
Dielectric withstanding voltage		1500	Veff mini
Insulation resistance		5000	MΩ mini

ENVIRONMENTAL

Operating temperature	-55~+125	°C
Hermetic seal	NA	Atm.cm3/s
Panel leakage	IP68	

MECHANICAL CHARACTERISTICS

Center contact retention			
Axial force – Mating End		27	N mini
Axial force – Opposite end		27	N mini
Torque		NA	N.cm mini
Recommended torque			
Mating		NA	N.cm
Panel nut		NA	N.cm
Mating life		100	Cycles mini
Weight		13.200	g

SPECIFICATION

OTHER CHARACTERISTICS

Assembly instruction:**NA**

Others:
***Coaxial Transmission Line only**
IP 68(1m,24h) mated condition