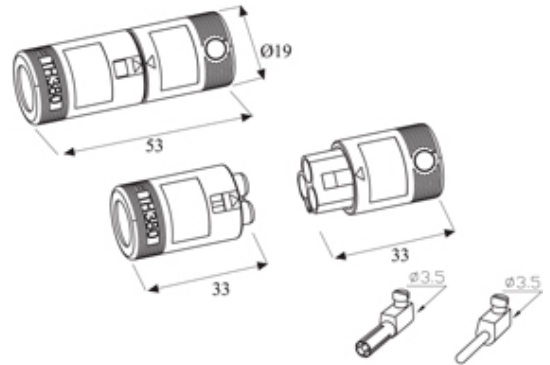


### THB.380.3ASSY

TeePlug 3 pole Screw terminal 10 mm cable diameter, 4 mm max conductor size IP20 17.5A 400V 1 cable entry and TeePlug Powersocket 3 pole Screw terminal 10 mm cable diameter, 4 mm max conductor size IP20 17.5A 400V 1 cable entry



#### SPECIFICATION

Type	Plug and Socket
Cable Entries	1
Number of Poles	3
Terminal Type	Screw
Body Material	PA66
IP Rating	20
Max Conductor Size (Sq mm)	4
Max Current (A)	17.5
Max Voltage (V)	400
Minimum Temp Rating °C	-40
Max Temp Rating °C	125
Maximum Cable Diameter (mm)	10
Comments	This product comprises parts THB.380.A1A and THB.380.B1A
Fixing System	Cable
Temperature "T" Rating	T85