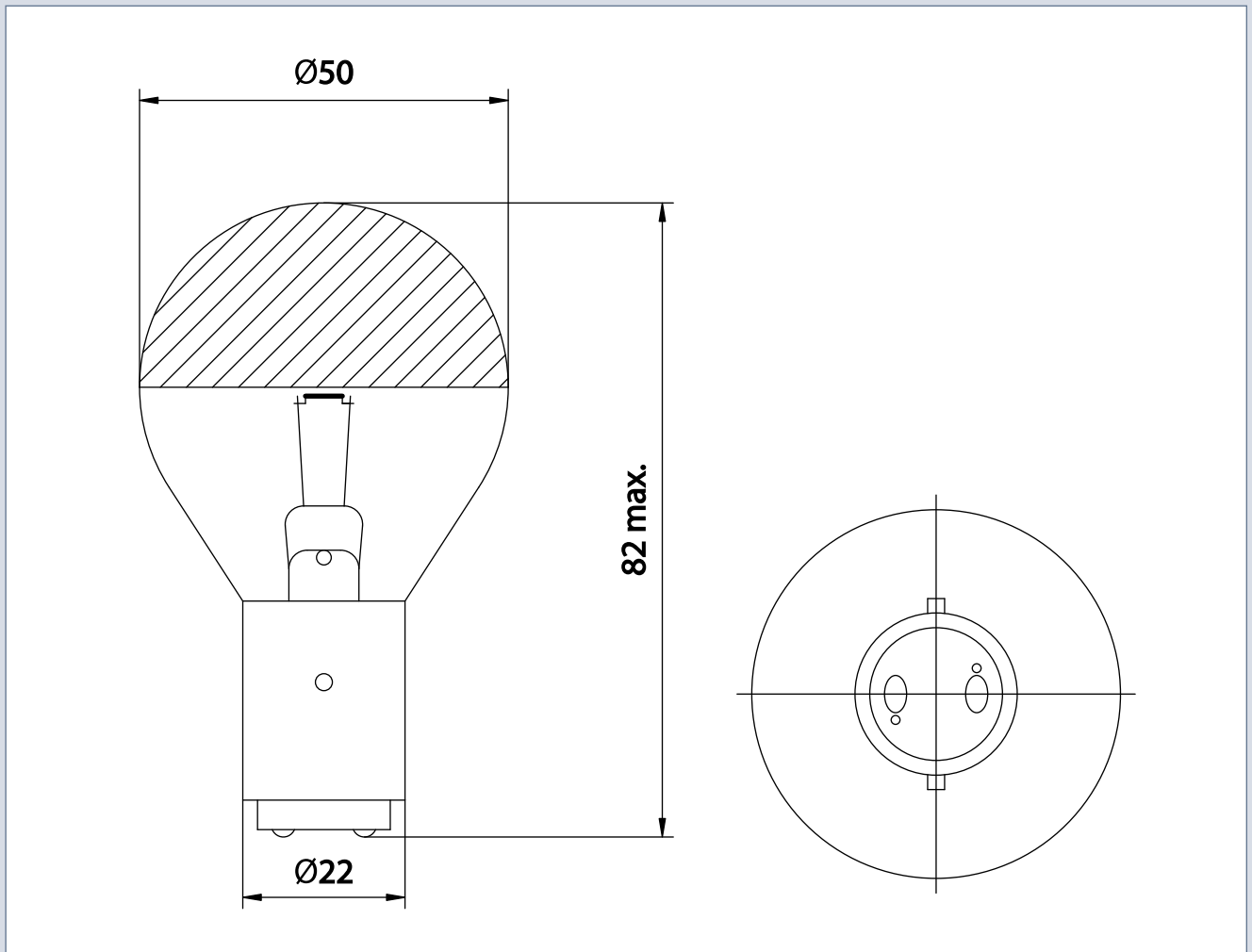


# INDUSTRIAL SPECIALTY LIGHTING

## Industrial medical - Datasheet



### MEDICAL LAMPS - 32V 50W Bx22D

<b>PRODUCT NUMBER</b>	<b>302936039</b>	[ ]	Tol.
<b>VOLTAGE</b>	32	V	
<b>WATTAGE</b>	50	W	± 8
<b>LUMEN OUTPUT</b>	420	LM	± 10
<b>LUMEN PRO WATT</b>	8.4	LM/W	
<b>AVERAGE LIFE</b>	600	H	
<b>BASE</b>	Bx22D	/	
<b>REMARKS</b>	H016813		
<b>BRAND</b>	DR. FISCHER		

FOR INFORMATIONAL PURPOSES ONLY. SIL INT. BV. DISCLAIMS ALL WARRANTIES WITHOUT LIMITATION. INFORMATION MIGHT BE SUBJECT TO CHANGE.



MEDICAL



ENTERTAINMENT



TRAFFIC



MARINE



RAILWAY



AIRFIELD



VARIOUS



TAILOR MADE



IR / UV



PROJECTION



Special industrial Lighting  
 Ruysdaelbaan 3F  
 5642 JJ Eindhoven  
 The Netherlands

Tel : + 31 40 2868 913  
 Fax : + 31 40 2868 207  
 Website: [www.sillamps.com](http://www.sillamps.com)  
 Email : [silint@special.nl](mailto:silint@special.nl)