



Elektrotechnik Karl-Heinz Mauz GmbH

VM-1003A3.0 (Artikel-Nr. 860220)

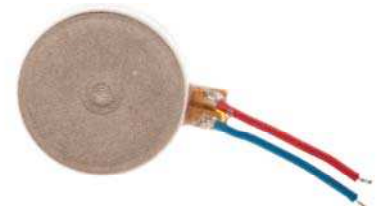
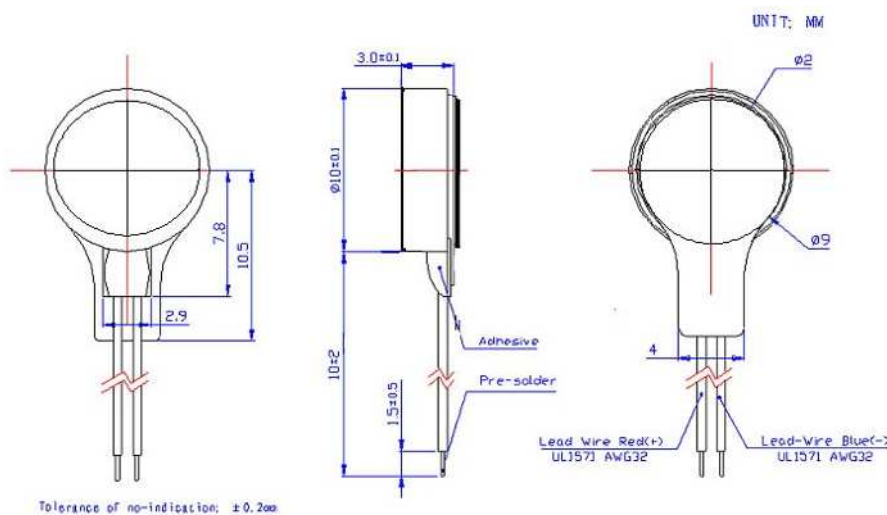
EKULIT

SPECIFICATIONS:

TYPE	UNIT	VM-1003A3.0
Rated voltage	V _{DC}	3.0
Operating range voltage	V _{DC}	2.4~3.6
Rated Current	mA	<85
Rated load speed	rpm	13.500±2.500
Starting voltage	V _{DC}	2.3
Starting current	mA	140
Insulation resistance	MΩ	10
Terminal resistance	Ω	70 max.
Weight	g	2.0

DIMENSIONS :

(Unit: mm)



Typical applications : Motorized toys, pager, mobile phone

Adresse: Felix-Wankel-Str. 35 • 73760 Ostfildern/Nellingen

Tel: +49-711/3414023

Fax: +49-711/3414024

E-mail: info@ekulit.de Web site: www.EKULIT.de