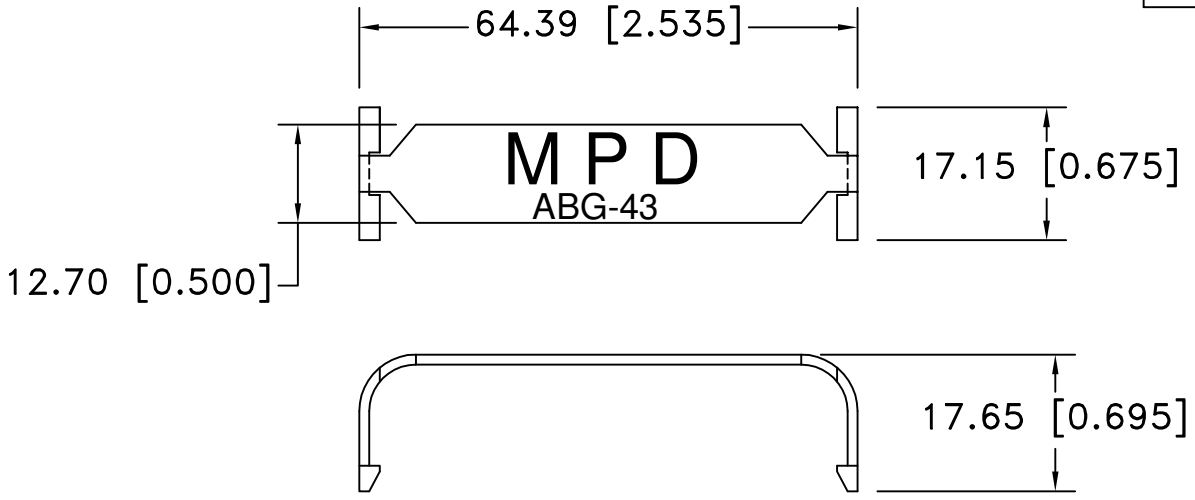



Date	SYM	REVISION RECORD	AUTH	DR.	CK.
4/22/06	A	Added "ROHS COMPLIANT"	T.B.	B.S.	

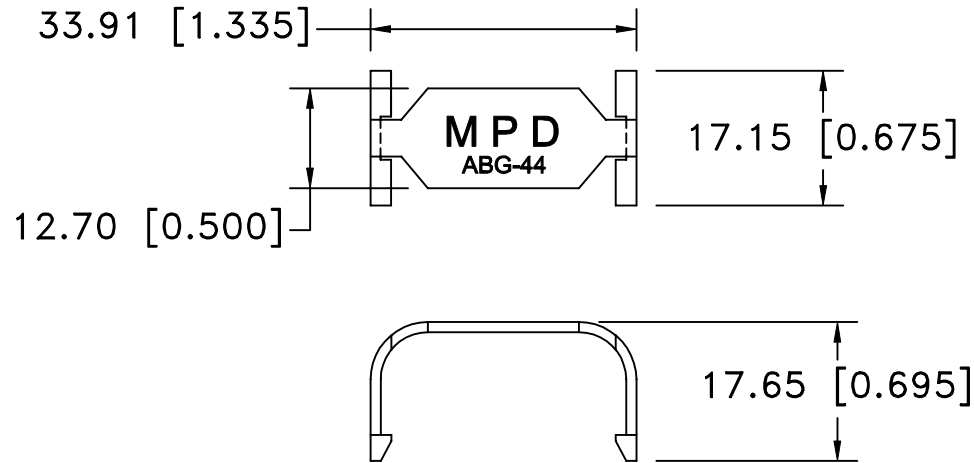


NOTES:

MATERIAL: HIPS, FLAMMABILITY RATING UL94V-0  
ROHS COMPLIANT


Tolerance (Except as noted)	 <b>Memory Protection Devices, Inc</b> 200 Broad Hollow Road, Farmingdale, New York 11735		
decimal ±.5 (.020)		Scale	Drawn By B.S.
Fractional ± .8 (.030)	Title BA 4AA COVER		
Angular ± 3°	Date 4/22/06	Drawing Number ABG-43	
Approved By T.B.			

Date	SYM	REVISION RECORD	AUTH	DR.	CK.

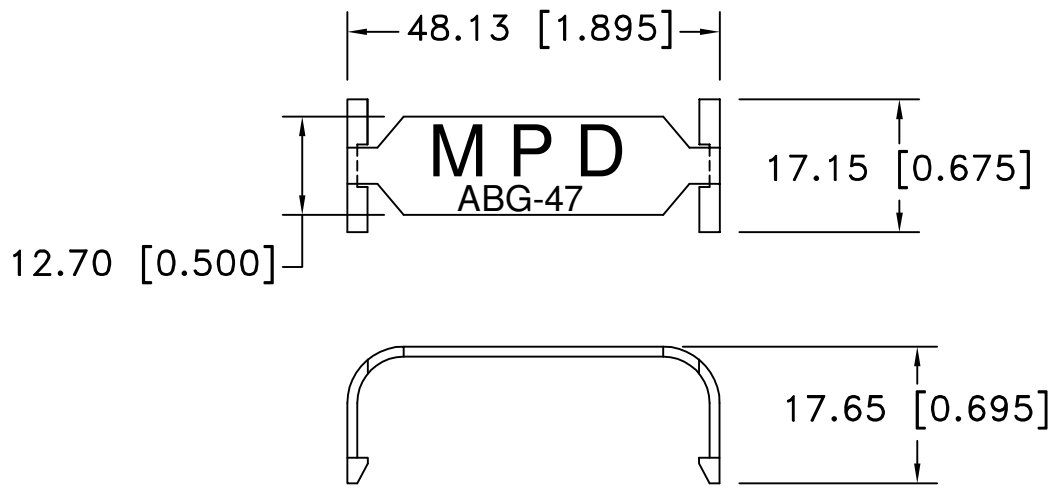


**NOTES:**

**MATERIAL: HIPS, FLAMMABILITY RATING UL94V-0**


Tolerance (Except as noted)	 <b>Memory Protection Devices, Inc</b> 200 Broad Hollow Road, Farmingdale, New York 11735		
decimal		Scale	Drawn By B.S.
±.5 (.020)			Approved By T.B.
Fractional	Title		
± .8 (.030)	BA 2AA COVER		
Angular	Date	Drawing Number	
± 3°	05/16/01	ABG-44	

Date	SYM	REVISION RECORD	AUTH	DR.	CK.
4/22/06	A	Added "ROHS COMPLIANT"	T.B.	B.S.	

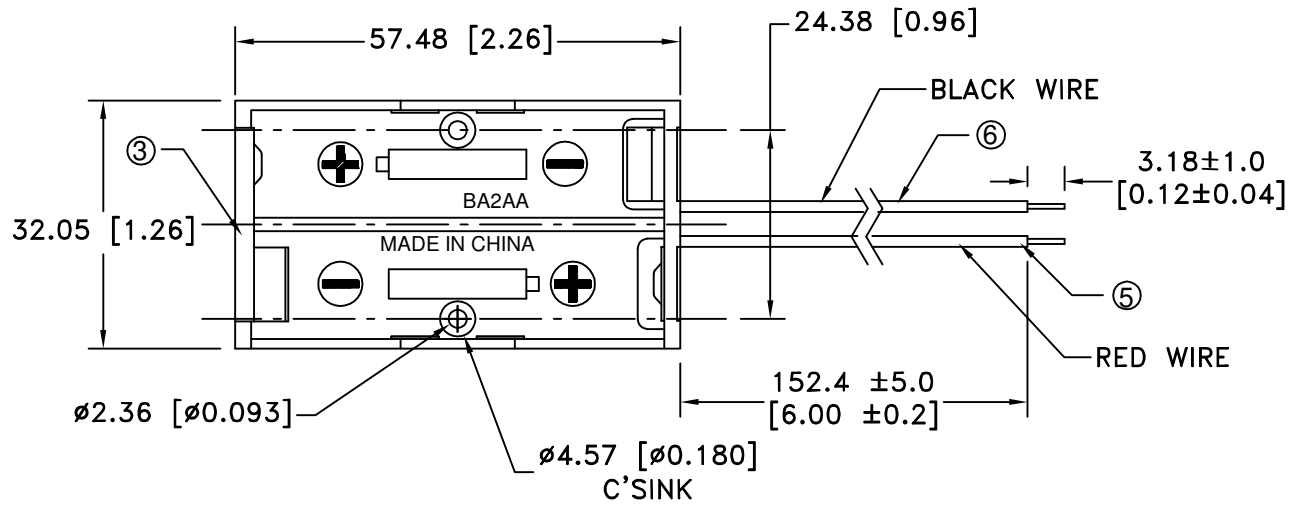


NOTES:

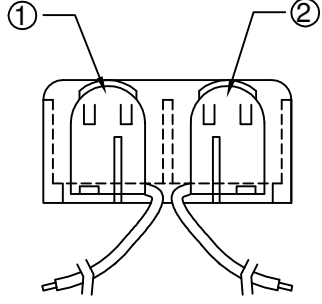
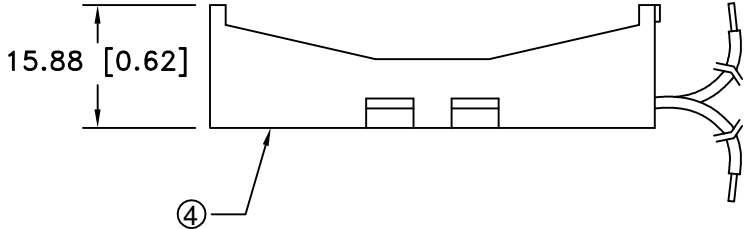
MATERIAL: HIPS, FLAMMABILITY RATING UL94V-0  
ROHS COMPLIANT

Tolerance (Except as noted)	 <b>Memory Protection Devices, Inc</b> 200 Broad Hollow Road, Farmingdale, New York 11735		
decimal ±.5 (.020)		Scale	Drawn By B.S. Approved By T.B.
Fractional ± .8 (.030)	Title BA/BH 3AA COVER		
Angular ± 3°	Date 4/22/06	Drawing Number ABG-47	

Date	SYM	REVISION RECORD	AUTH	DR.	CK.
10/28/06	A	Added mounting instruction. Ø2.36 was 2.18. Ø4.57 was 4.70	T.B.	B.S.	

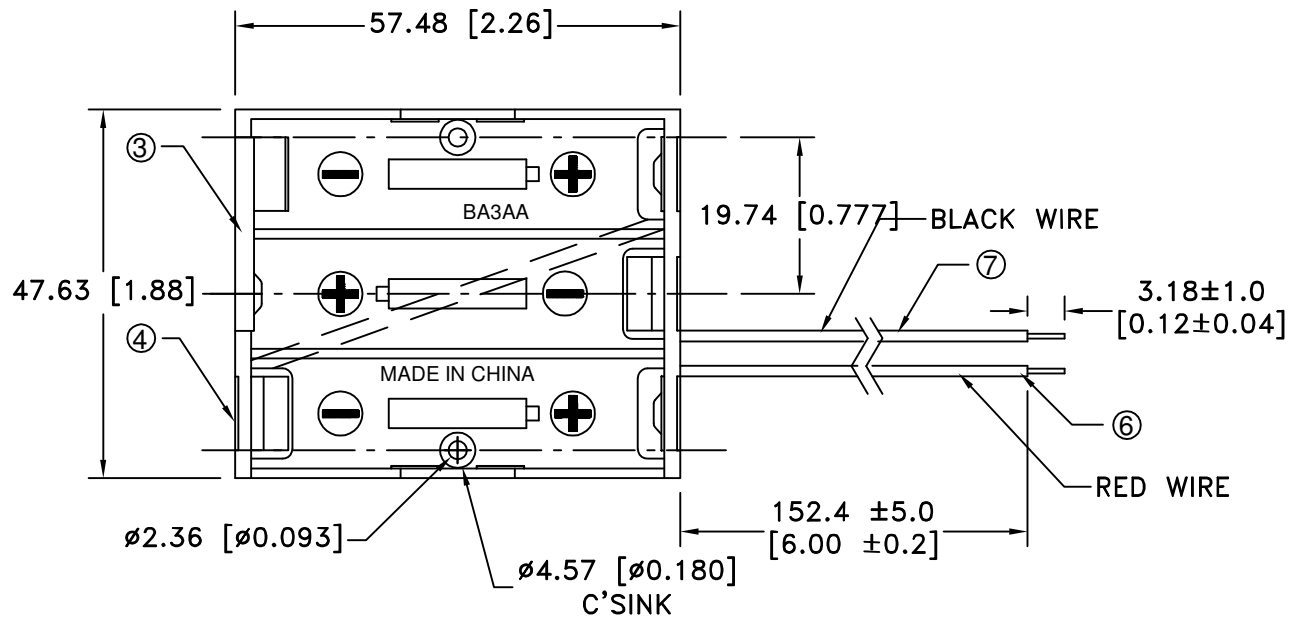


MOUNTING INSTRUCTION:  
USE 2-56 MACHINE SCREWS OR EYELETS 0.089" OD BY 0.15" FLANGE STIMPSON GS-3 SERIES OR EQUIVALENT. ALSO ADHESIVES AND DOUBLE SIDED TAPES WORK WELL.

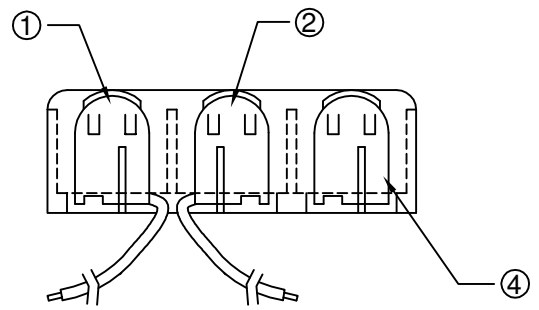
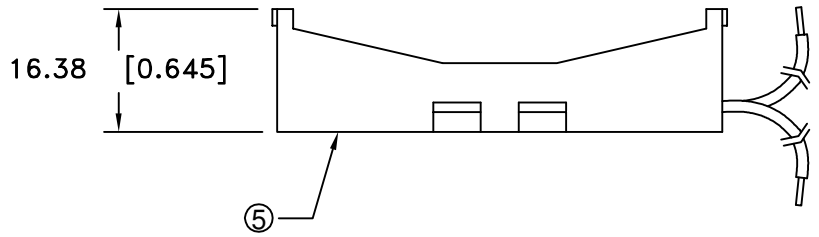



ITEM NO.	PART NO.	MATL. SPECIFICATION	QTY.	Tolerance (Except as noted)	Memory Protection Devices, Inc 200 Broad Hollow Road, Farmingdale, New York 11735		
1	ABG-194	POSITIVE CONTACT, 302 STAINLESS STEEL, NICKLE PLTD.	1	decimal	Scale	Drawn By B.S.	
2	ABG-195	NEGATIVE CONTACT, 302 STAINLESS STEEL, NICKLE PLTD.	1			Approved By T.B.	
3	ABG-196-1	RIGHT NEG./POS. CONTACT, 302 STAINLESS STEEL, NICKLE PLTD.	1	±.5 (.020)	Title	TWO "AA" CELL SPRINGLESS HOLDER	
4	ABG-197	BLACK POLYPROPYLENE HOLDER, UL94-HB	1	Fractional		Date	Drawing Number
5		RED WIRE, 24AWG, UL1007, CSA TR-164, 80°C	1	± .8 (.030)			
6		BLACK WIRE, 24AWG, UL1007, CSA TR-164, 80°C	1	Angular			
				± 3°			

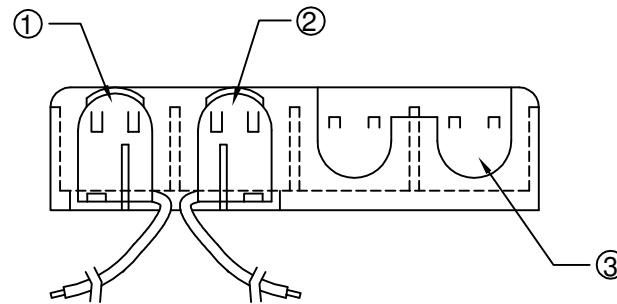
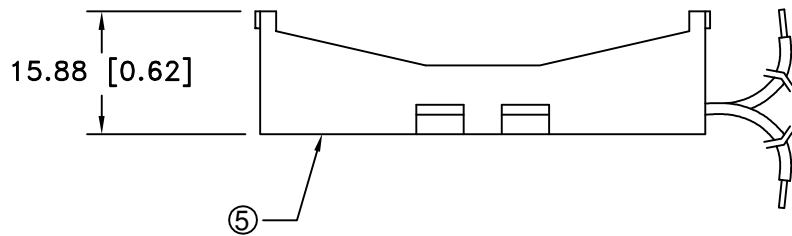
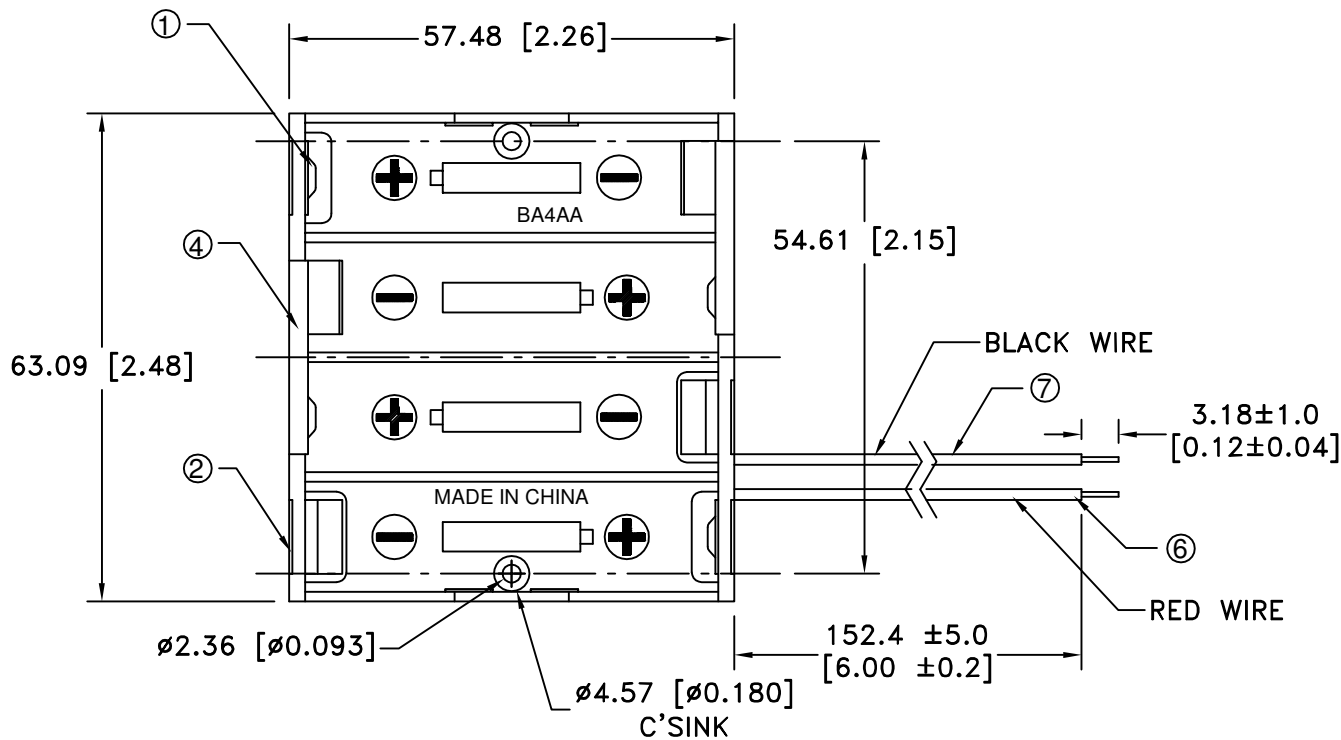
Date	SYM	REVISION RECORD	AUTH	DR.	CK.
10/28/06	A	Added mounting instruction. Ø2.36 was 2.18. Ø4.57 was 4.70	T.B.	B.S.	



MOUNTING INSTRUCTION:  
 USE 2-56 MACHINE SCREWS OR  
 EYELETS 0.089" OD BY 0.15" FLANGE  
 STIMPSON GS-3 SERIES OR EQUIVALENT.  
 ALSO ADHESIVES AND DOUBLE SIDED  
 TAPES WORK WELL.



ITEM NO.	PART NO.	MATL. SPECIFICATION	QTY.	Tolerance (Except as noted)	 <b>Memory Protection Devices, Inc</b> 200 Broad Hollow Road, Farmingdale, New York 11735		
1	ABG-194	POSITIVE CONTACT, 302 STAINLESS STEEL, NICKLE PLTD.	2	decimal	Scale	Drawn By B.S.	
2	ABG-195	NEGATIVE CONTACT, 302 STAINLESS STEEL, NICKLE PLTD.	1				
3	ABG-196-1	RIGHT NEG./POS. CONTACT, 302 STAINLESS STEEL, NICKLE PLTD.	1	±.5 (.020)	Title	Approved By T.B.	
4	ABG-201	ASSY. NEG./POS. CONTACT, 302 STAINLESS STEEL, NICKLE PLTD.	1				
5	ABG-198	BLACK POLYPROPYLENE HOLDER, UL94-HB	1	Fractional	THREE "AA" CELL SPRINGLESS HOLDER		
6		RED WIRE, 24AWG, UL1007, CSA TR-164, 80°C	1	± .8 (.030)			
7		BLACK WIRE, 24AWG, UL1007, CSA TR-164, 80°C	1	Angular	Date	Drawing Number	
				± 3°	10/28/06	BA3AAW	



Date	SYM	REVISION RECORD	AUTH	DR.	CK.
10/28/06	A	Added mounting instruction. Ø2.36 was 2.18. Ø4.57 was 4.70	T.B.	B.S.	

MOUNTING INSTRUCTION:  
 USE 2-56 MACHINE SCREWS OR  
 EYELETS 0.089" OD BY 0.15" FLANGE  
 STIMPSON GS-3 SERIES OR EQUIVALENT  
 ALSO ADHESIVES AND DOUBLE SIDED  
 TAPES WORK WELL.

ITEM NO.	PART NO.	MATL. SPECIFICATION	QTY.	Tolerance (Except as noted)	Memory Protection Devices, Inc 200 Broad Hollow Road, Farmingdale, New York 11735		
1	ABG-194	POSITIVE CONTACT, 302 STAINLESS STEEL, NICKLE PLTD.	2	decimal	Scale	Drawn By B.S.	Title
2	ABG-195	NEGATIVE CONTACT, 302 STAINLESS STEEL, NICKLE PLTD.	2				
3	ABG-196-1	RIGHT NEG./POS. CONTACT, 302 STAINLESS STEEL, NICKLE PLTD.	1	±.5 (.020)	Approved By T.B.	FOUR "AA" CELL SPRINGLESS HOLDER	Date
4	ABG-196-2	LEFT NEG./POS. CONTACT, 302 STAINLESS STEEL, NICKLE PLTD.	1				
5	ABG-187	BLACK POLYPROPYLENE HOLDER, UL94-HB	1	Fractional	Date	Drawing Number	BA4AAW
6		RED WIRE, 24AWG, UL1007, CSA TR-164, 80°C	1				
7		BLACK WIRE, 24AWG, UL1007, CSA TR-164, 80°C	1	Angular	10/28/06		
				± 3°			