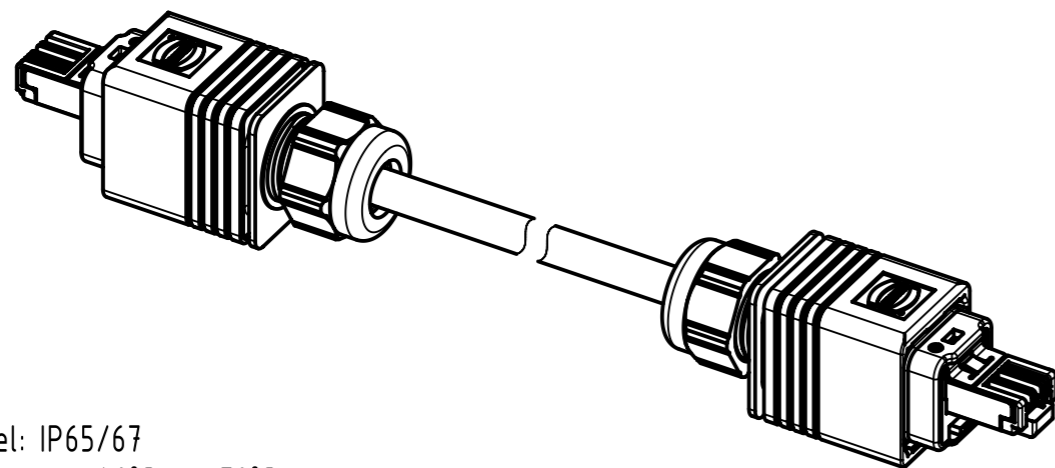
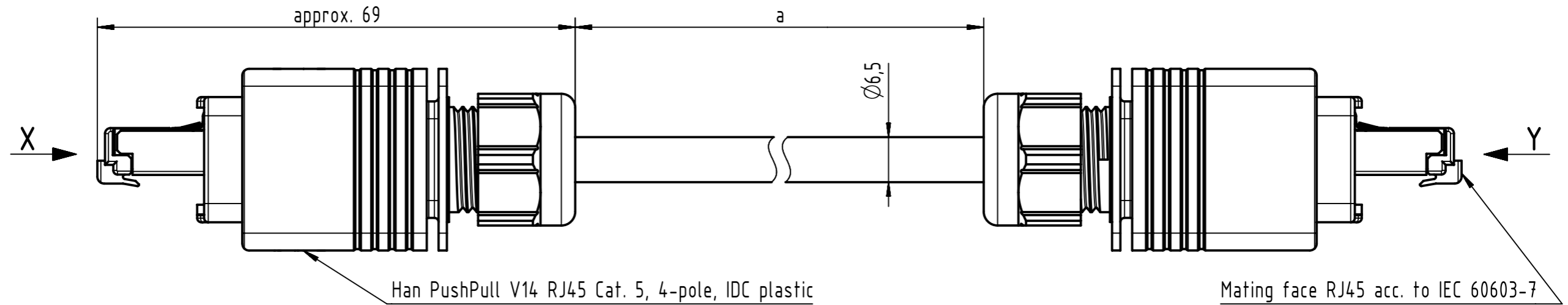


Connector Location A

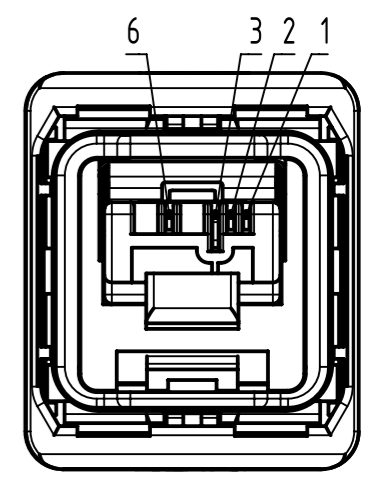
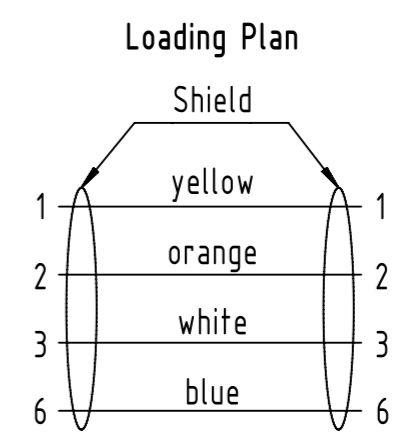
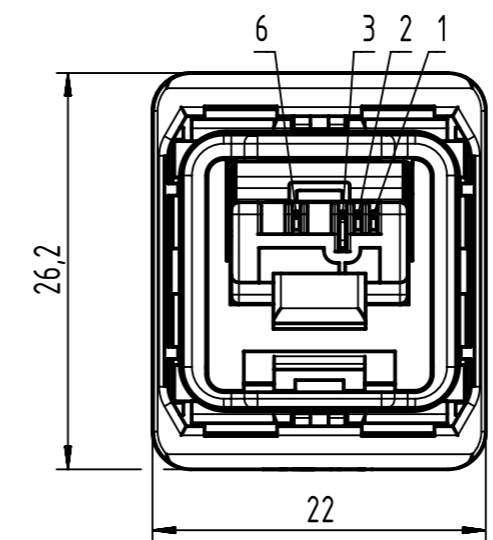
Connector Location B



- Protection level: IP65/67
- Temperature range: -40°C ... +70°C

X  
male

Y  
male



22	094 75555022	RJ45 Ethernet Standard Cable, 4xAWG 22/1, PVC, Cat. 5+, green	100
21	094 75555021		90
20	094 75555020		80
19	094 75555019		70
18	094 75555018		60
17	094 75555017		50
16	094 75555016		40
15	094 75555015		30
14	094 75555014		20
13	094 75555013		15
12	094 75555012		10
11	094 75555011		9
10	094 75555010		8
9	094 75555009		7
8	094 75555008		6
7	094 75555007		5
6	094 75555006		4
5	094 75555005		3
4	094 75555004		2
3	094 75555003		1.5
2	094 75555002		1
1	094 75555001		0.5
<b>Cont. no.</b>	<b>Part no.</b>	<b>Type of cable</b>	<b>Dim. a[m]</b>

	All rights reserved	Created by STOCHECIC Stocheici	Inspected by COSTEA Costea	Standardisation MUNTEANV Muntean	Date 2019-09-04	State Final Release
	Department HCS - RO	Title RJ Industrial Cable Assembly		Doc-Key / ECM-Nr. 100155398/UGD/004/D 500000157673		
HARTING Customised Solutions D-32339 Espelkamp		Type TB	Number 094 75555XXX		Rev. D	Page 1/2

	1	2	3	4	5	6	7	8
A								
B								
	66	09475555082	RJl Ethernet Trailing Cable, 4xAWG 22/7, PUR, Cat. 5+, green	100	110	09475555182	HARTING PROFINET Type C, Torsional Stress Cable, 4xAWG 22/19, PUR, Cat. 5, green	100
	65	09475555081		90	109	09475555181		90
	64	09475555080		80	108	09475555180		80
	63	09475555079		70	107	09475555179		70
	62	09475555078		60	106	09475555178		60
	61	09475555077		50	105	09475555177		50
	60	09475555076		40	104	09475555176		40
	59	09475555075		30	103	09475555175		30
	58	09475555074		20	102	09475555174		20
	57	09475555073		15	101	09475555173		15
	56	09475555072		10	100	09475555172		10
	55	09475555071		9	99	09475555171		9
	54	09475555070	8	98	09475555170	8		
	53	09475555069	7	97	09475555169	7		
	52	09475555068	6	96	09475555168	6		
	51	09475555067	5	95	09475555167	5		
	50	09475555066	4	94	09475555166	4		
	49	09475555065	3	93	09475555165	3		
	48	09475555064	2	92	09475555164	2		
	47	09475555063	1.5	91	09475555163	1.5		
	46	09475555062	1	90	09475555162	1		
	45	09475555061	0.5	89	09475555161	0.5		
	44	09475555052	100	88	09475555112	100		
D	43	09475555051	90	87	09475555111	90		
	42	09475555050	80	86	09475555110	80		
	41	09475555049	70	85	09475555109	70		
	40	09475555048	60	84	09475555108	60		
	39	09475555047	50	83	09475555107	50		
	38	09475555046	40	82	09475555106	40		
	37	09475555045	30	81	09475555105	30		
	36	09475555044	20	80	09475555104	20		
	35	09475555043	15	79	09475555103	15		
	34	09475555042	10	78	09475555102	10		
	33	09475555041	9	77	09475555101	9		
	32	09475555040	8	76	09475555100	8		
	31	09475555039	7	75	09475555099	7		
	30	09475555038	6	74	09475555098	6		
	29	09475555037	5	73	09475555097	5		
	28	09475555036	4	72	09475555096	4		
	27	09475555035	3	71	09475555095	3		
	26	09475555034	2	70	09475555094	2		
	25	09475555033	1.5	69	09475555093	1.5		
	24	09475555032	1	68	09475555092	1		
	23	09475555031	0.5	67	09475555091	0.5		
F	Cont. no.	Part no.	Type of cable	Dim. a[m]	Cont. no.	Part no.	Type of cable	Dim. a[m]

RJl Ethernet Trailing Cable,  
4xAWG 22/7, PUR, Cat. 5+, green

HARTING PROFINET Type C,  
Torsional Stress Cable,  
4xAWG 22/19, PUR, Cat. 5, green

RJl Ethernet Stranded Cable,  
4xAWG 22/7, PVC outdoor, Cat. 5+, black

RJl Ethernet Stranded Cable,  
4xAWG 22/7, PVC, Cat. 5+, green

	All rights reserved		Created by STOCHECIC Stocheci		Inspected by COSTEA Costea		Standardisation MUNTEANV Muntean		Date 2019-09-04		State Final Release	
	Department HCS - RO		Title RJ Industrial Cable Assembly					Doc-Key / ECM-Nr. 100155398/UGD/004/D 500000157673		Rev. D		Page 2/2
HARTING Customised Solutions			Type TB		Number 09475555XXX			D-32339 Espelkamp				